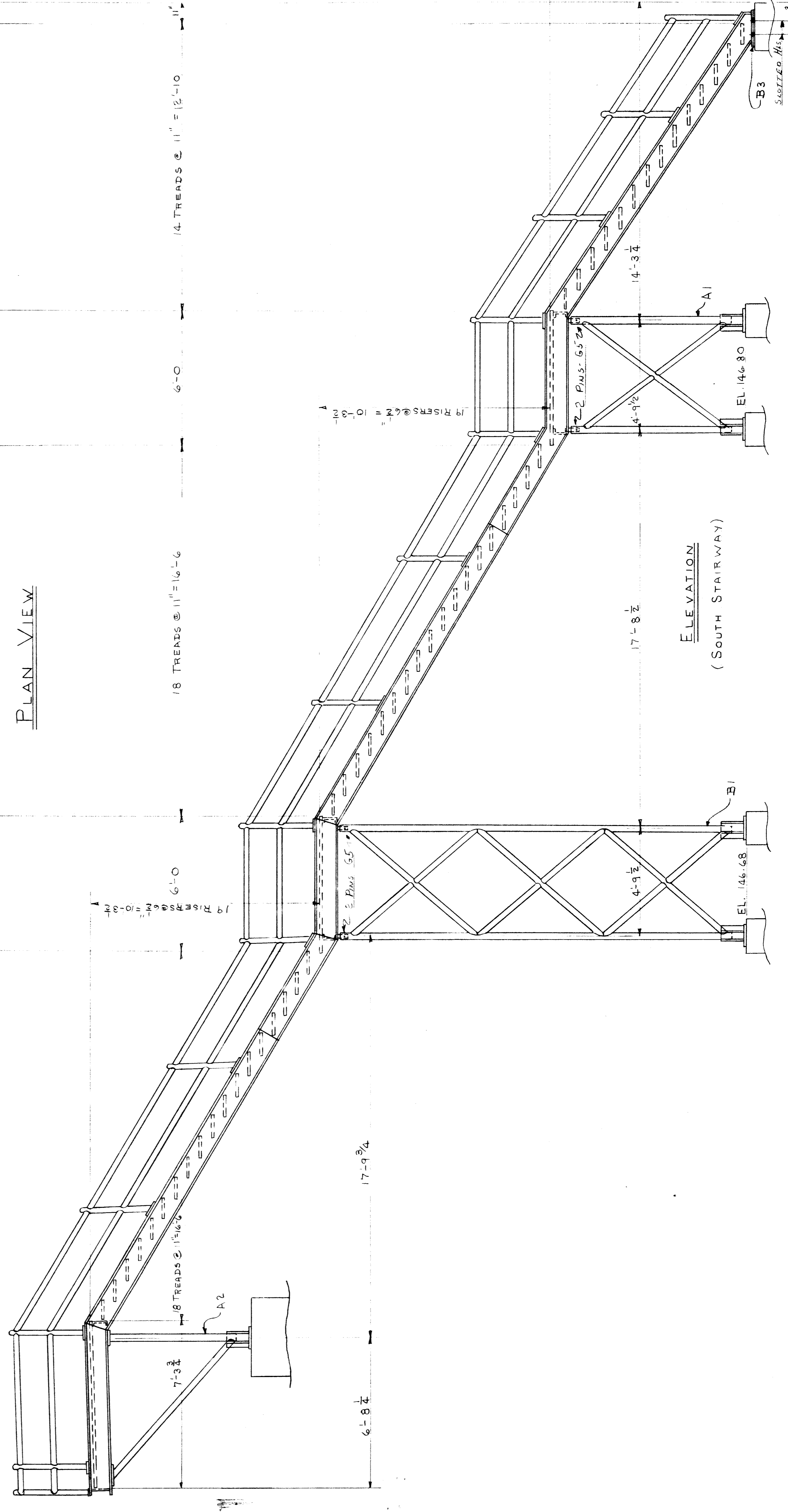
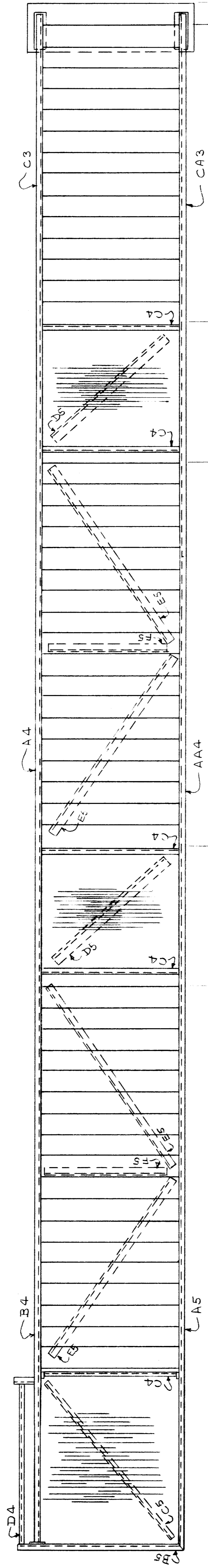


1 2 3 4 5 6 7 8 9 10 11 12 13 14 15 16 17 18 19 20 21 22 23 24 25 26 27 28 29 30 31 32 33 34 35 36 37 38 39 40 41 42 43 44 45 46 47 48 49 50



APPROVED by Board of
Wayne County Road Commissioners
Murray Loggash
ENGINEER OF DESIGN, STRUCTURE & EXPRESSWAYS
Date: MAY 29 1968

VINCENNES STEEL
Div. of NOVO Industrial Corp.
Vincennes, Ind.

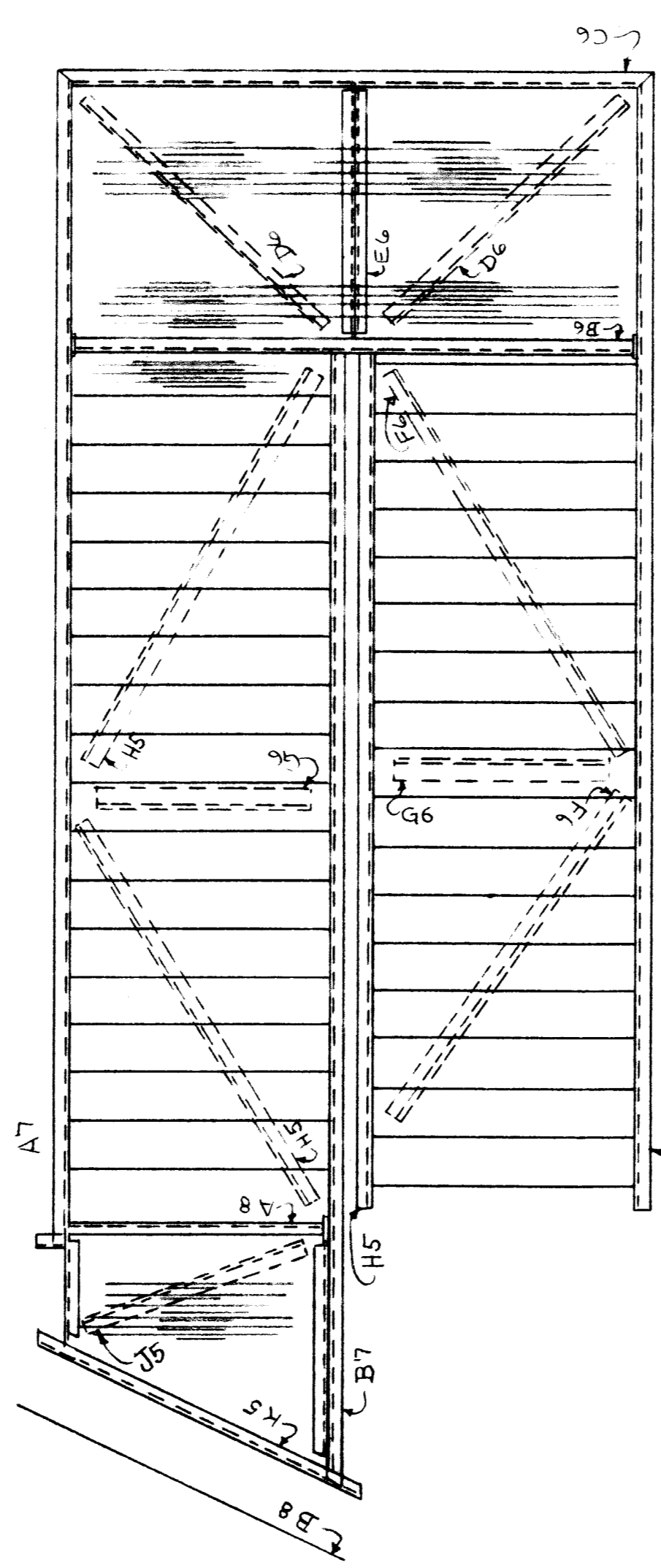
WAYNE COUNTY ROAD
COMMISSIONERS
MOUNT ELLIOTT - MOUND ROAD
GRADE SEPARATION
JOB # 246 STATE OF MICHIGAN

Drawn: *J. L. O'Connell*
Checked: *J. L. O'Connell*
Approved: *J. L. O'Connell*
Revised: *J. L. O'Connell*

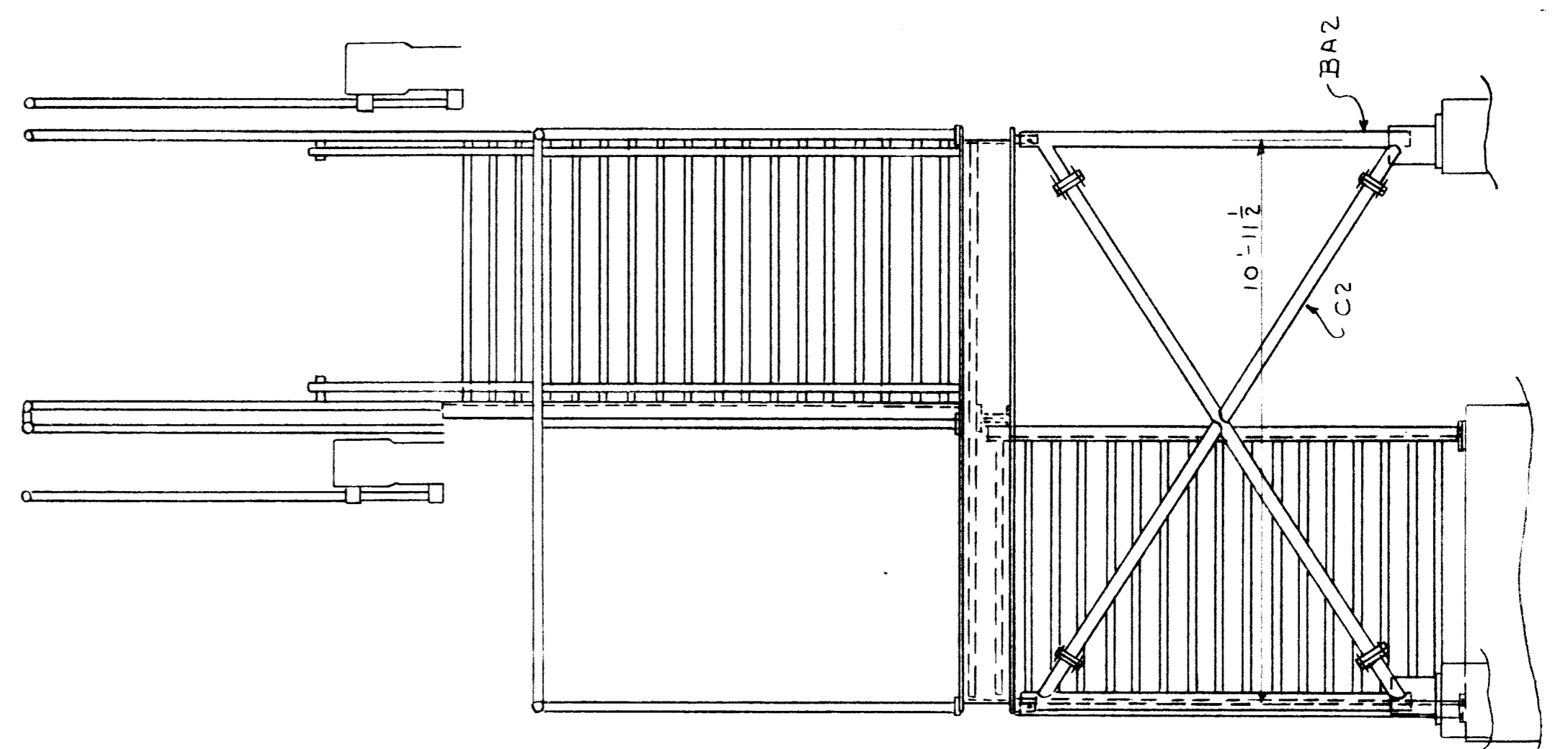
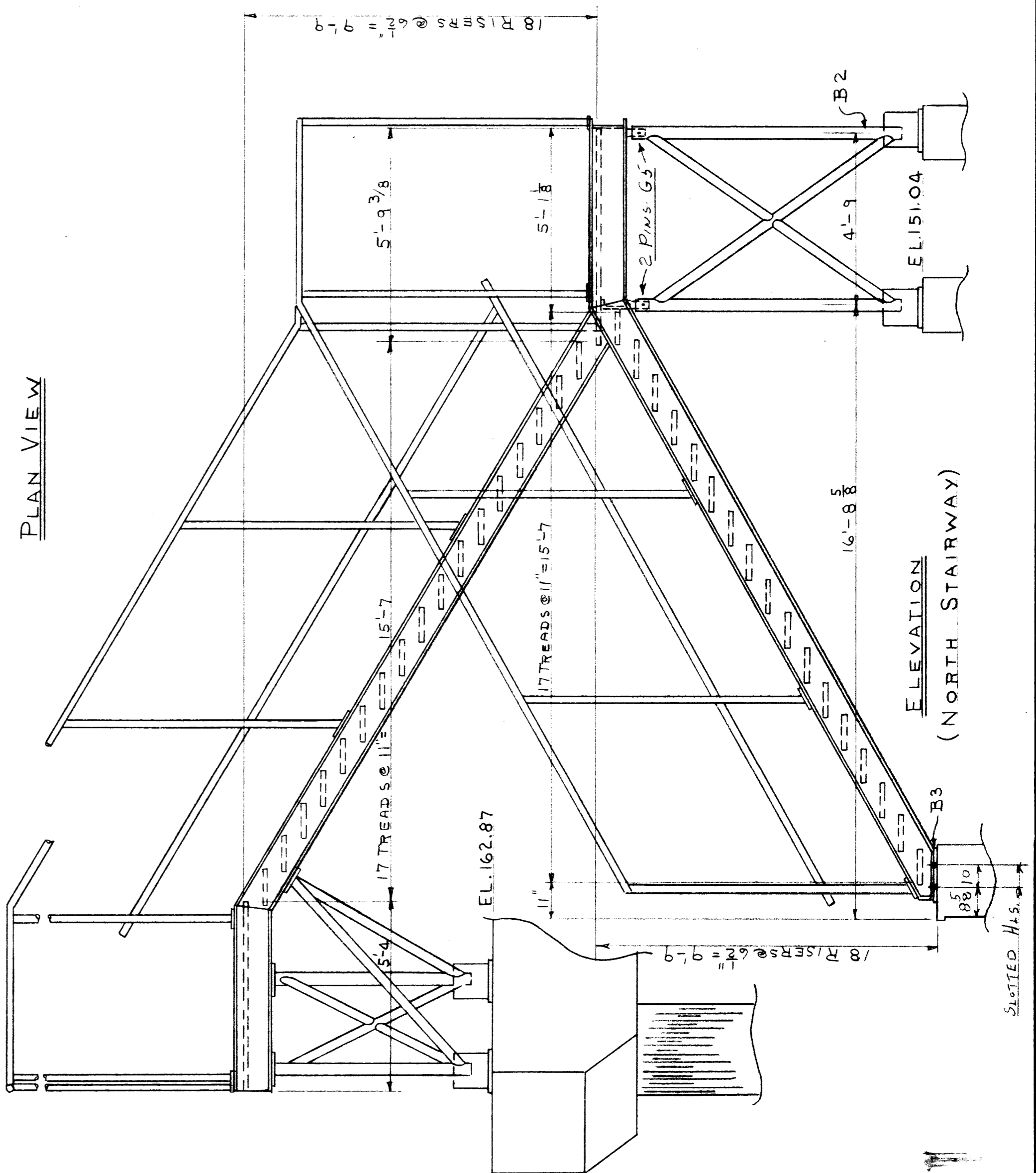
1-69 3-69

Edge Distance	Shop
Contact Surface	Field
Paint	
Holes	
Rivets-Bolts	

1 2 3 4 5 6 7 8 9 10 11 12 13 14 15 16 17 18 19 20 21 22 23 24 25 26 27 28 29 30 31 32 33 34 35 36 37 38 39 40 41 42 43 44 45 46 47 48 49 50

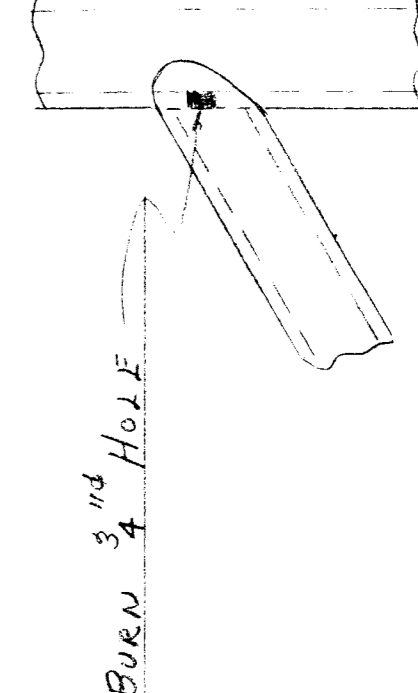
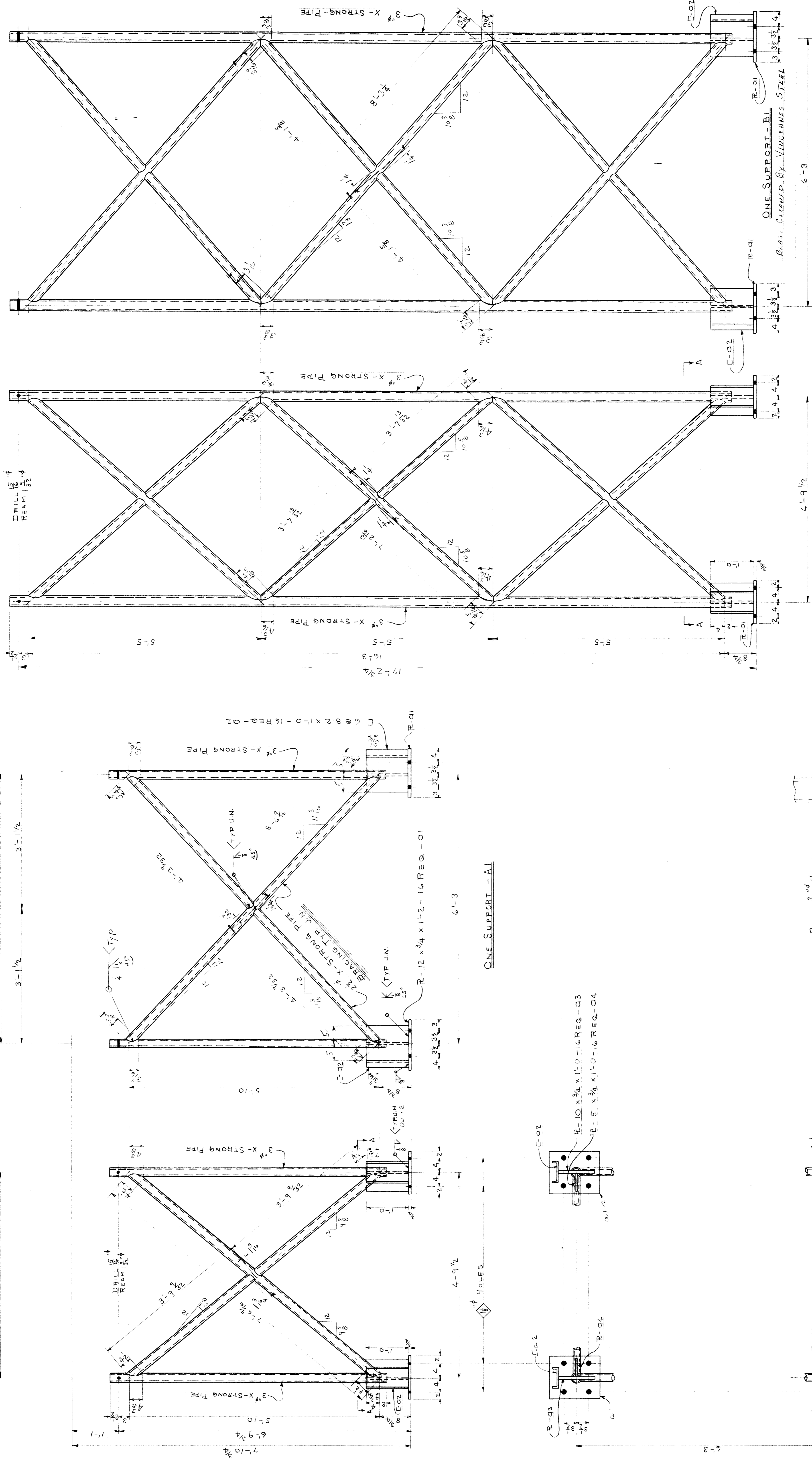


NORTH

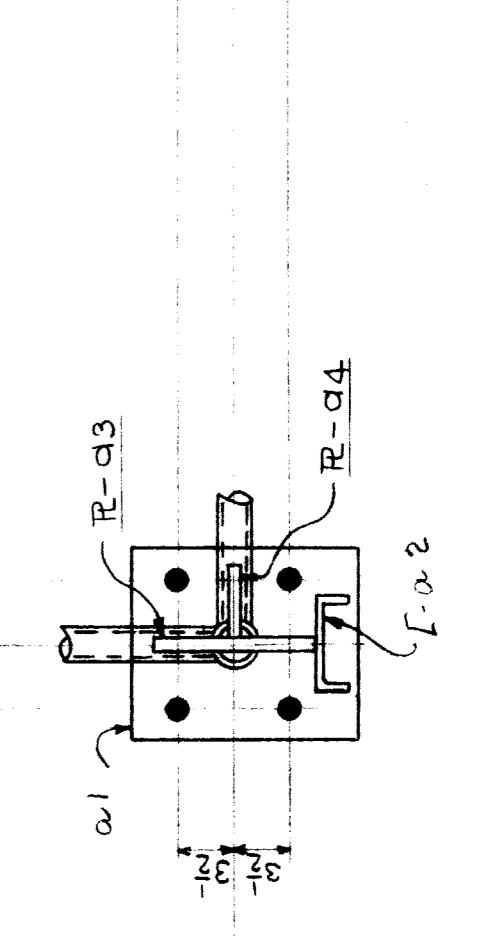


VINCENNES STEEL Div. of WYCO Industrial Corp. Vincennes, Ind.		Wayne County Road Commissioners Mount Elliott-Mound Road Grade Separation Job #246 State of Michigan	Drawn 1-29 J. L. O'K.	Checked Approved C. W. C.	Revised 3-26-69
Edge Distance	Shop				
Contact Surfaces	Field				
Paint					
Holes					
Rivets-Boils					

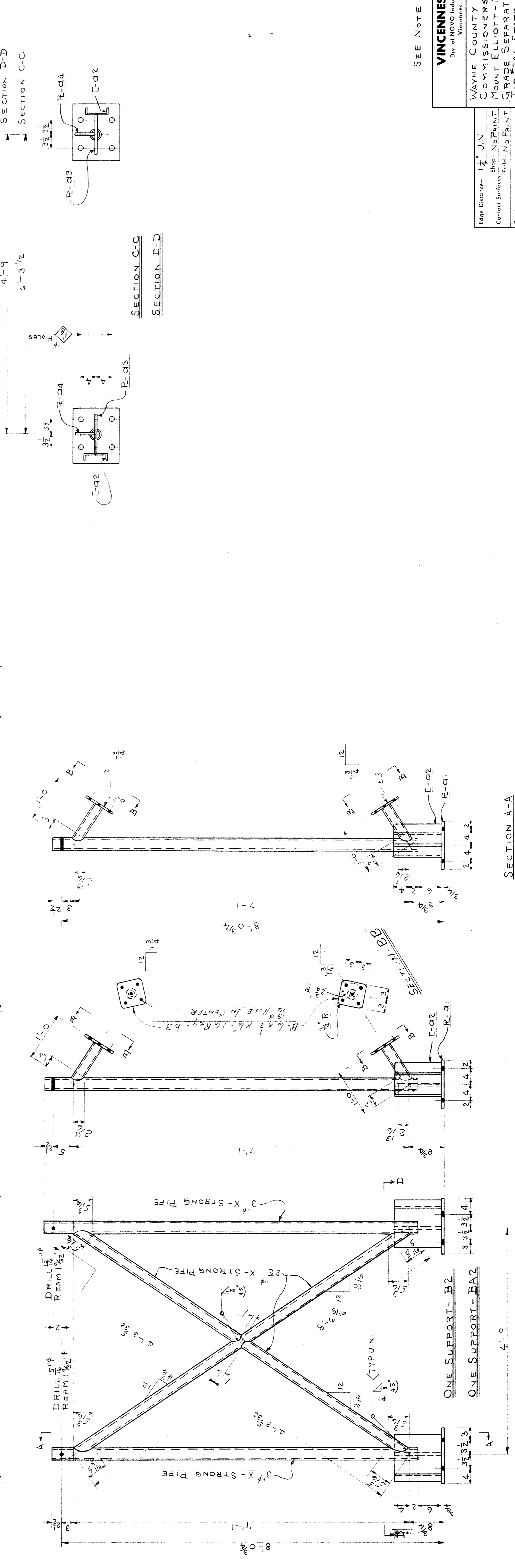
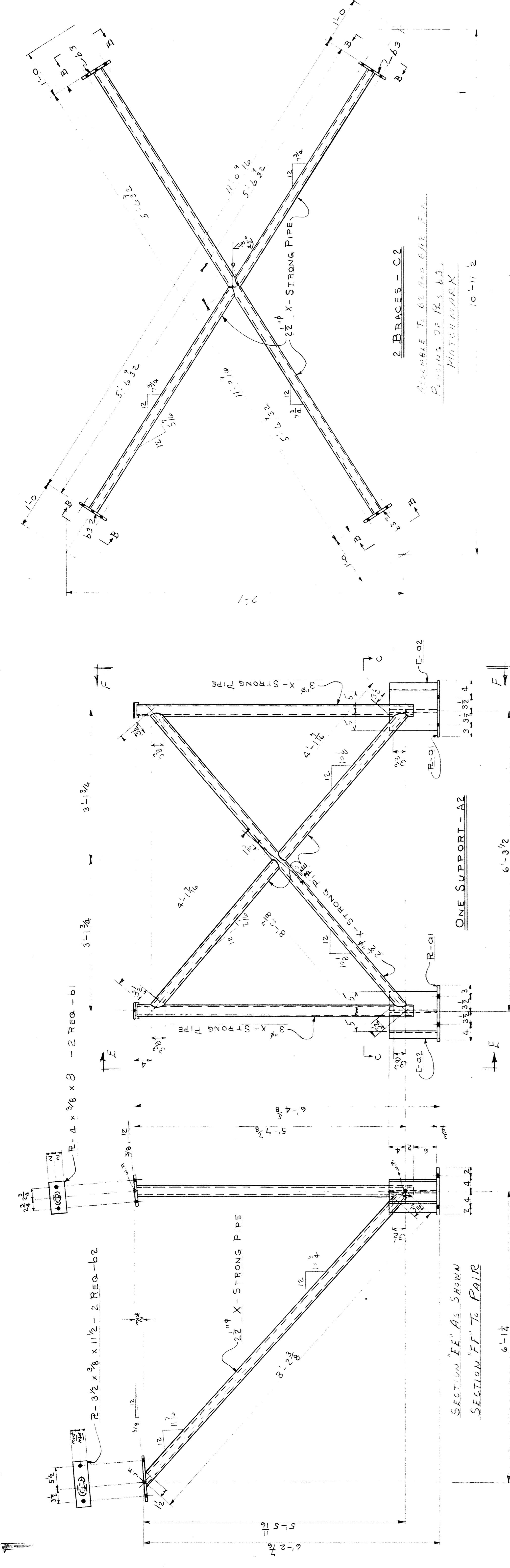
X 7 8 9 10 11 12 13 14 15 16 17 18 19 20 21 22 23 24 25 26 27 28 29 30 31 32 33 34 35 36 37 38 39 40 41 42 43 44 45 46 47 48 49 50



NOTE:
PIPE TO BE VENTED WITH A 3/4\"/>



VINCENNES STEEL Div. of NOVO Industrial Corp. Vincennes, Ind.		
Wayne County Road Commissioners Mount Elliott - Mound Road Grade Separation Job 246 State of Michigan	Checked G. Lock	Approved 4-69



SEE NOTE SH # 1

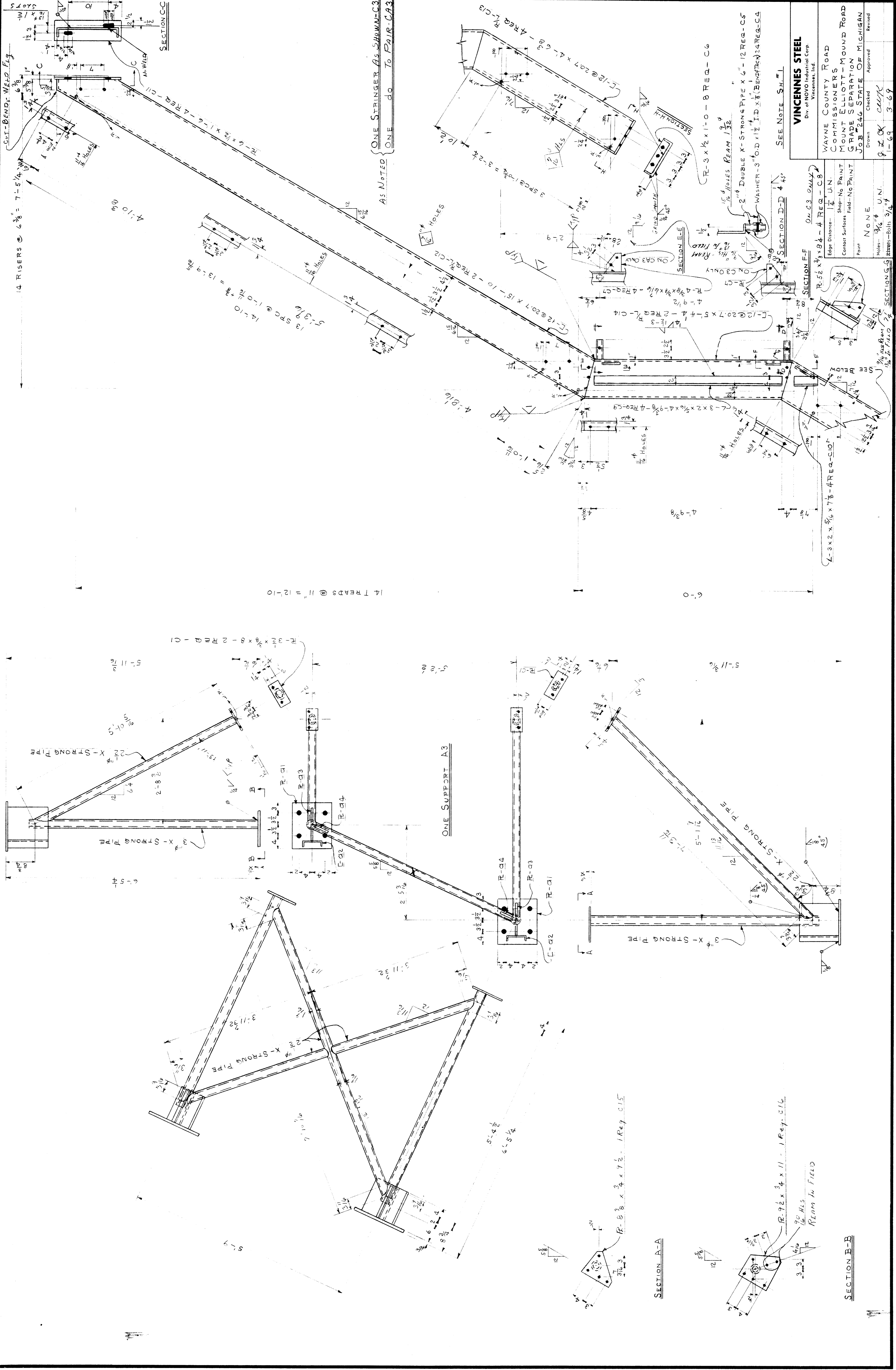
VINCENNES STEEL
Div. of NOVO Industrial Corp.
Vincennes, Ind.

WAYNE COUNTY ROAD
COMMISSIONERS
MOUNT ELLIOTT - MOUND ROAD
GRADE SEPARATION
JCS #246 STATE OF MICHIGAN

Edge Distance - 1/4" U.N.	
Contact Surface - Shop - NO PAINT	
	Field - NO PAINT
Paint	NONE
Holes - 9/16" U.N.	
Sheet - Bolts 3/4"	

Drawn	C.L.O.K.	Checked	C.M.K.	Approved	
Revised					

1 2 3 4 5 6 7 8 9 10 11 12 13 14 15 16 17 18 19 20 21 22 23 24 25 26 27 28 29 30 31 32 33 34 35 36 37 38 39 40 41 42 43 44 45 46 47 48 49 50



AS NOTED
 ONE STRINGER AS SHOWN=C3
 ONE DO TO PAIR-CA3

SEE NOTE SH. #1

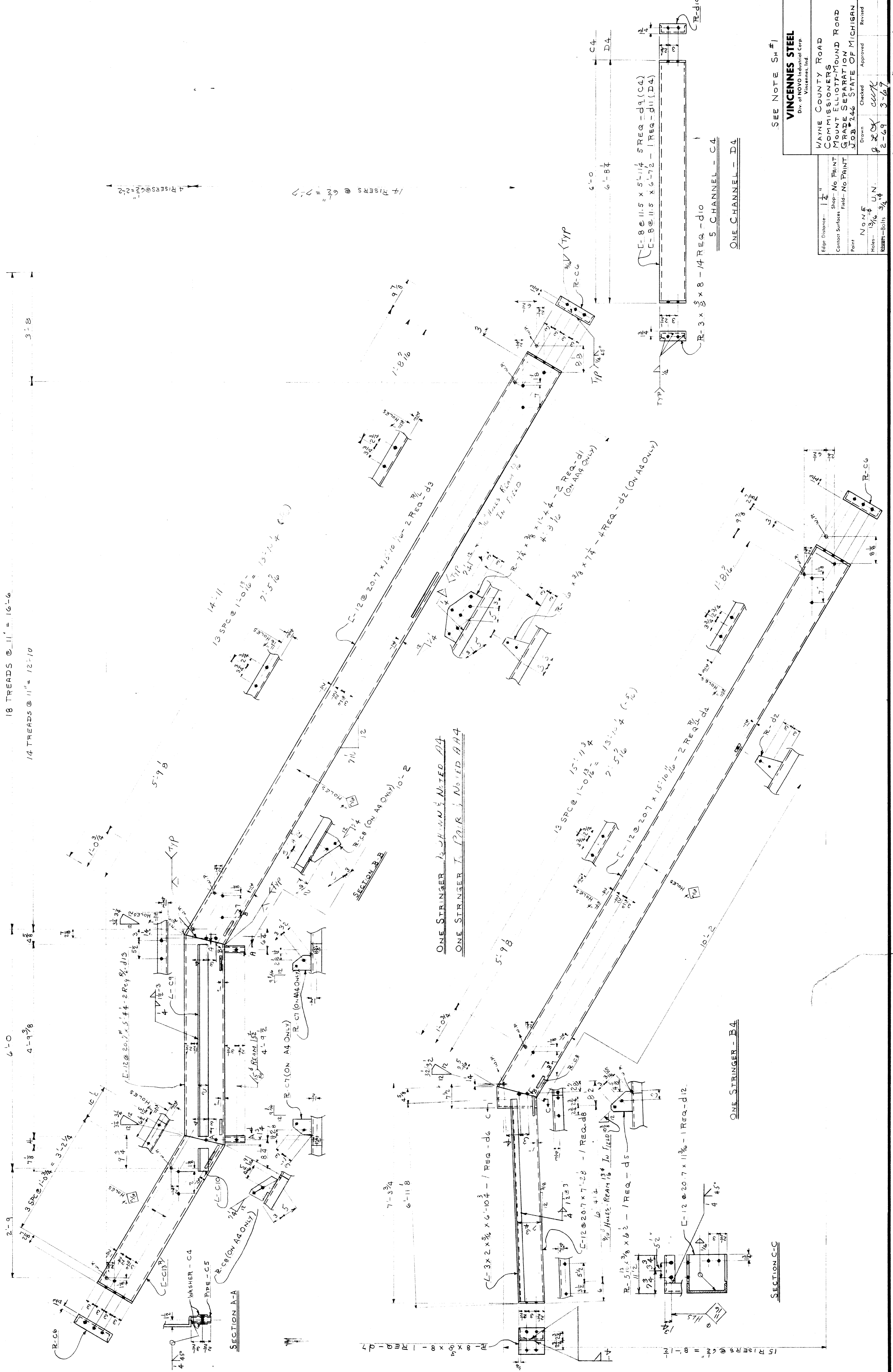
Drawn	Checked	Approved	Revised
g z ok	clw		
1-69	3-69		

VINCENNES STEEL
 Div. of NOVO Industrial Corp.
 Vincennes, Ind.

WAYNE COUNTY ROAD
 COMMISSIONERS
 MOUNT ELLIOTT - MOUND ROAD
 GRADE SEPARATION
 JOB # 246 STATE OF MICHIGAN

Edge Distance - 1 1/2 IN.
 Shop No. PAINT
 Field No. PAINT
 NONE

Holes - 3/16" UN.
 Bolts - 3/4" UN.
 Rivets - Bolts 9/16"



18 TREADS @ 11" = 16'-6"
 14 TREADS @ 11" = 12'-10"

6'-0"
 4'-9 7/8"

2'-9"
 7/8"

14 RISERS @ 11" = 12'-10"

15 RISERS @ 11" = 13'-0"

16 RISERS @ 11" = 13'-2"

SECTION A-A

SECTION B-B

SECTION C-C

ONE STRINGER 12 CHANNELS W/ NUTS & BOLTS
 ONE STRINGER 12 PAIR 3 NUTS & BOLTS AA4

ONE STRINGER - BA

5 CHANNEL - C4
ONE CHANNEL - D4

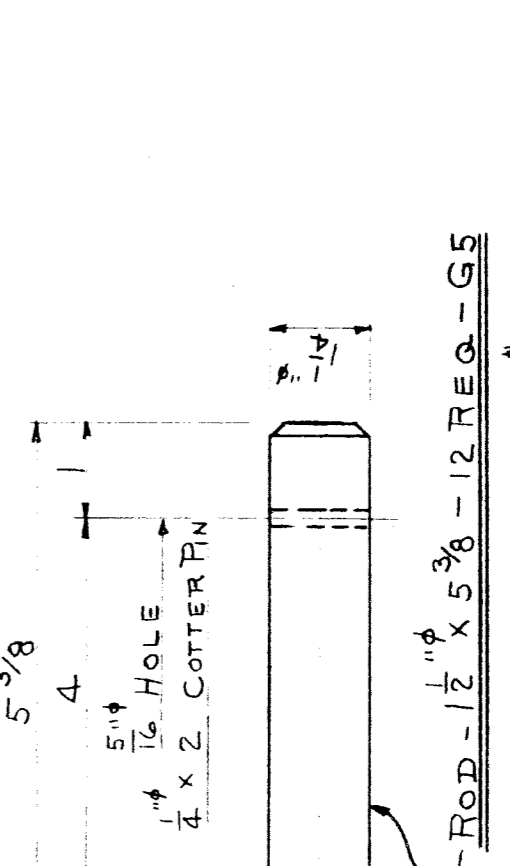
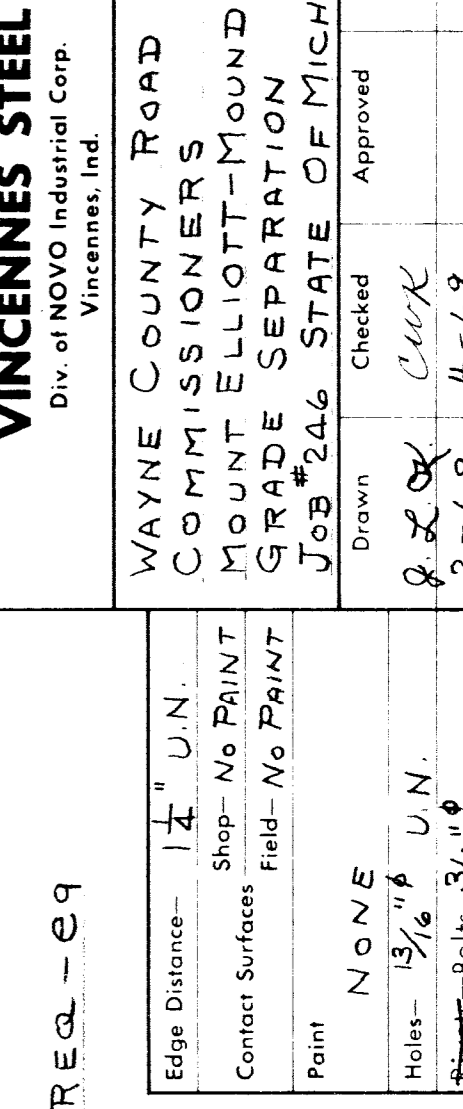
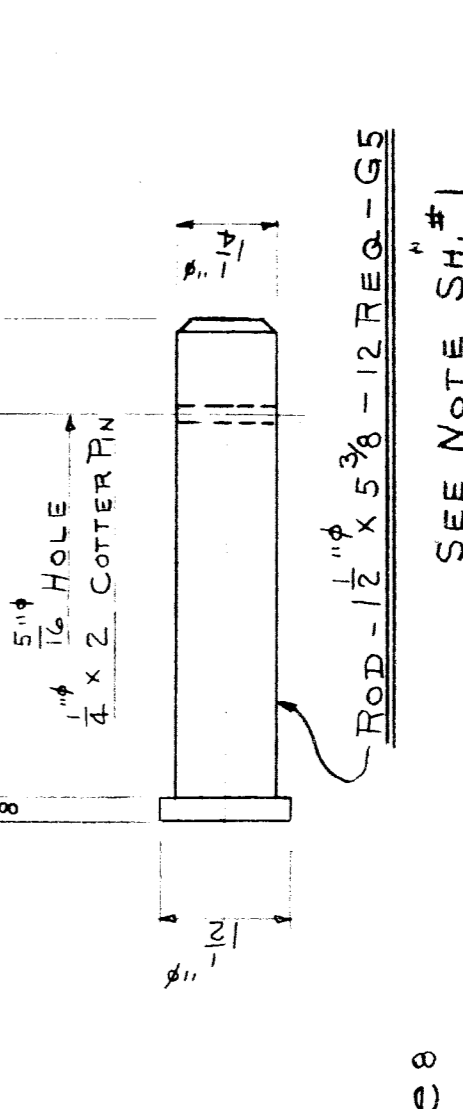
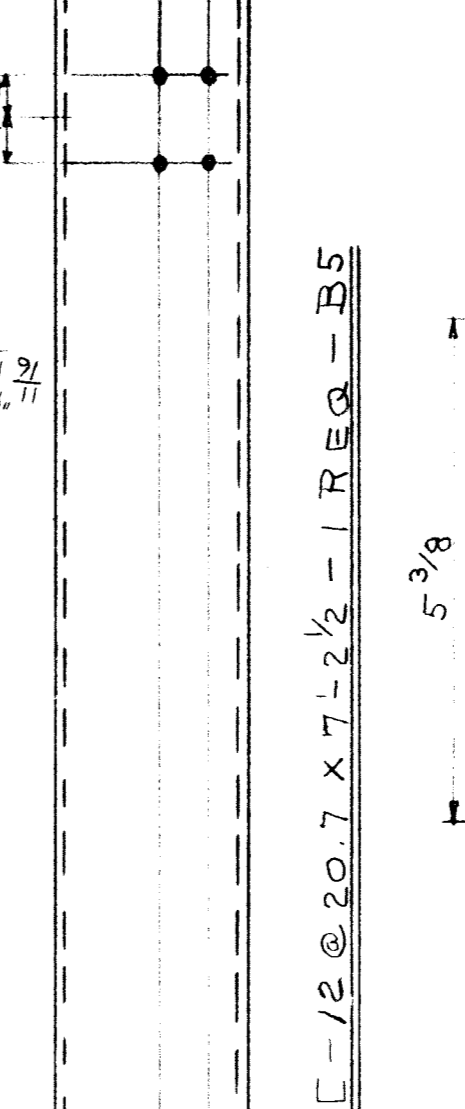
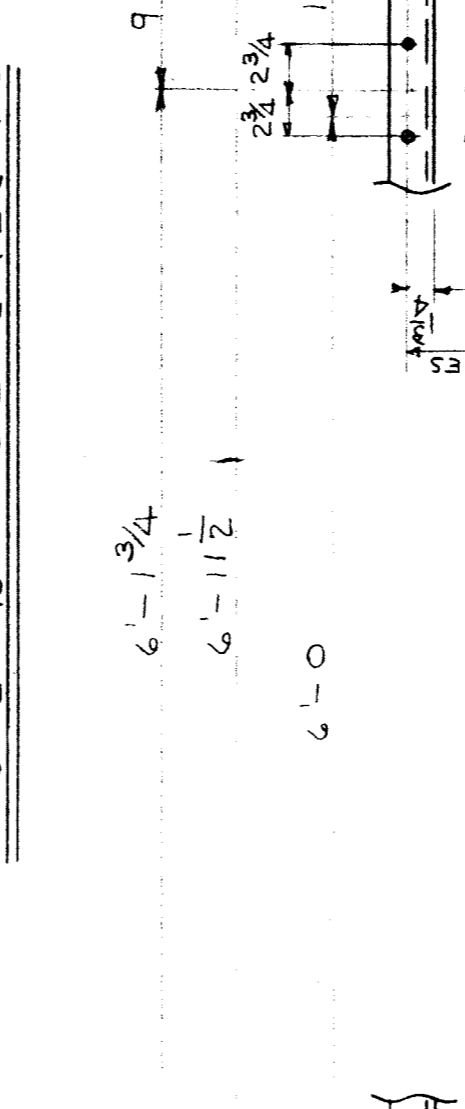
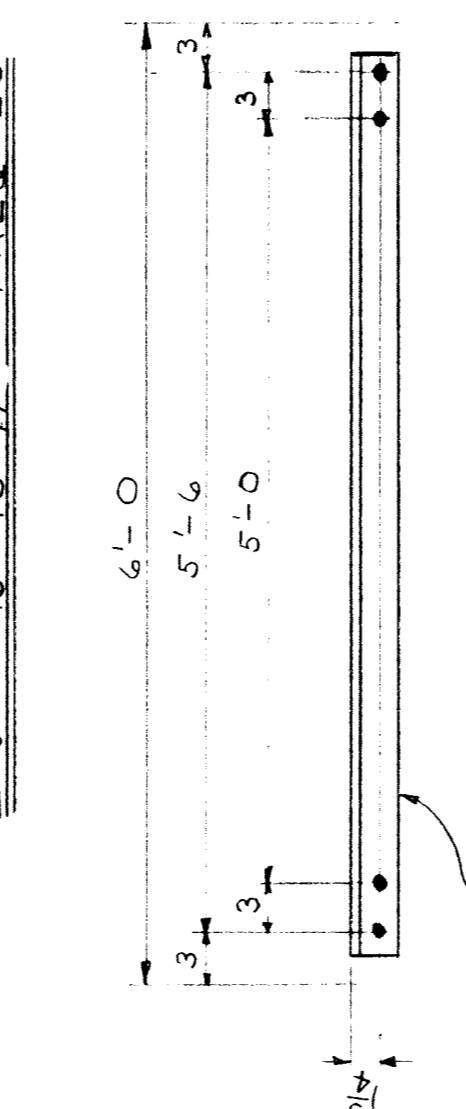
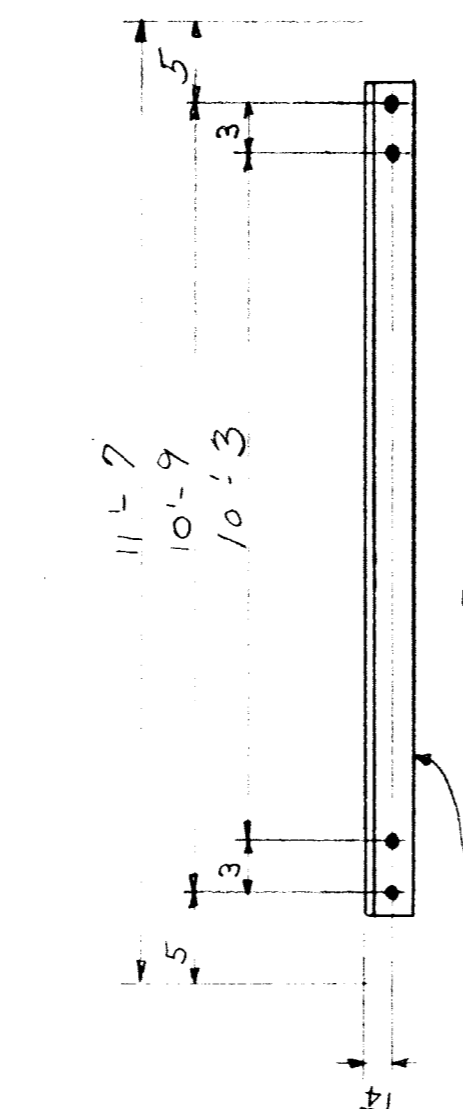
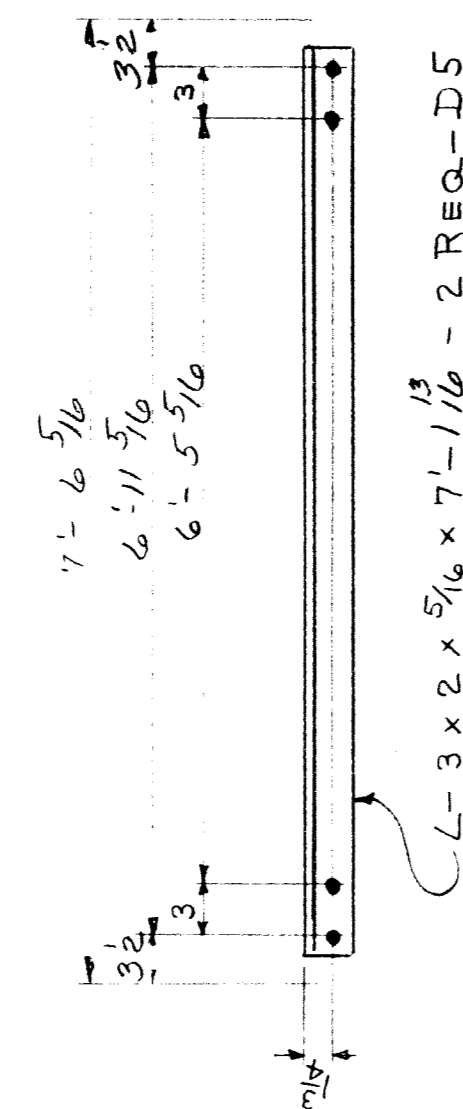
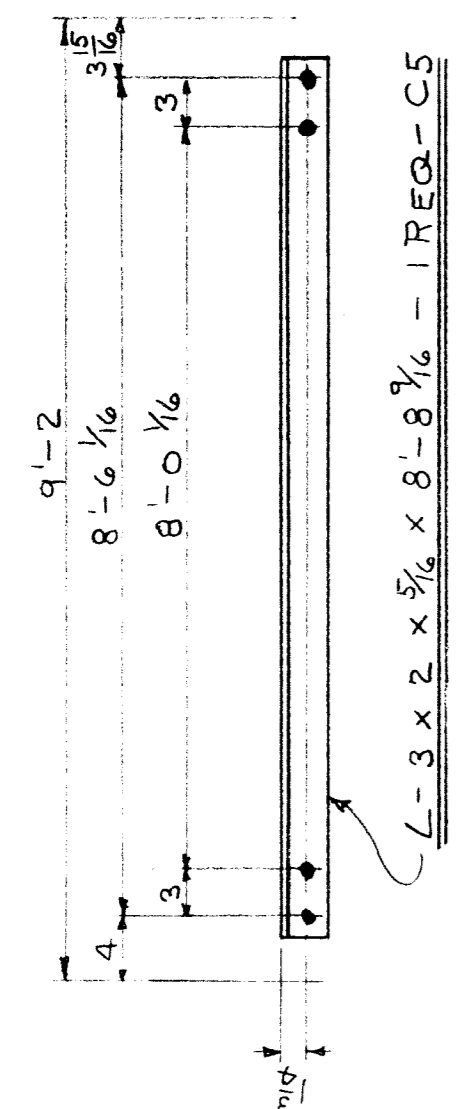
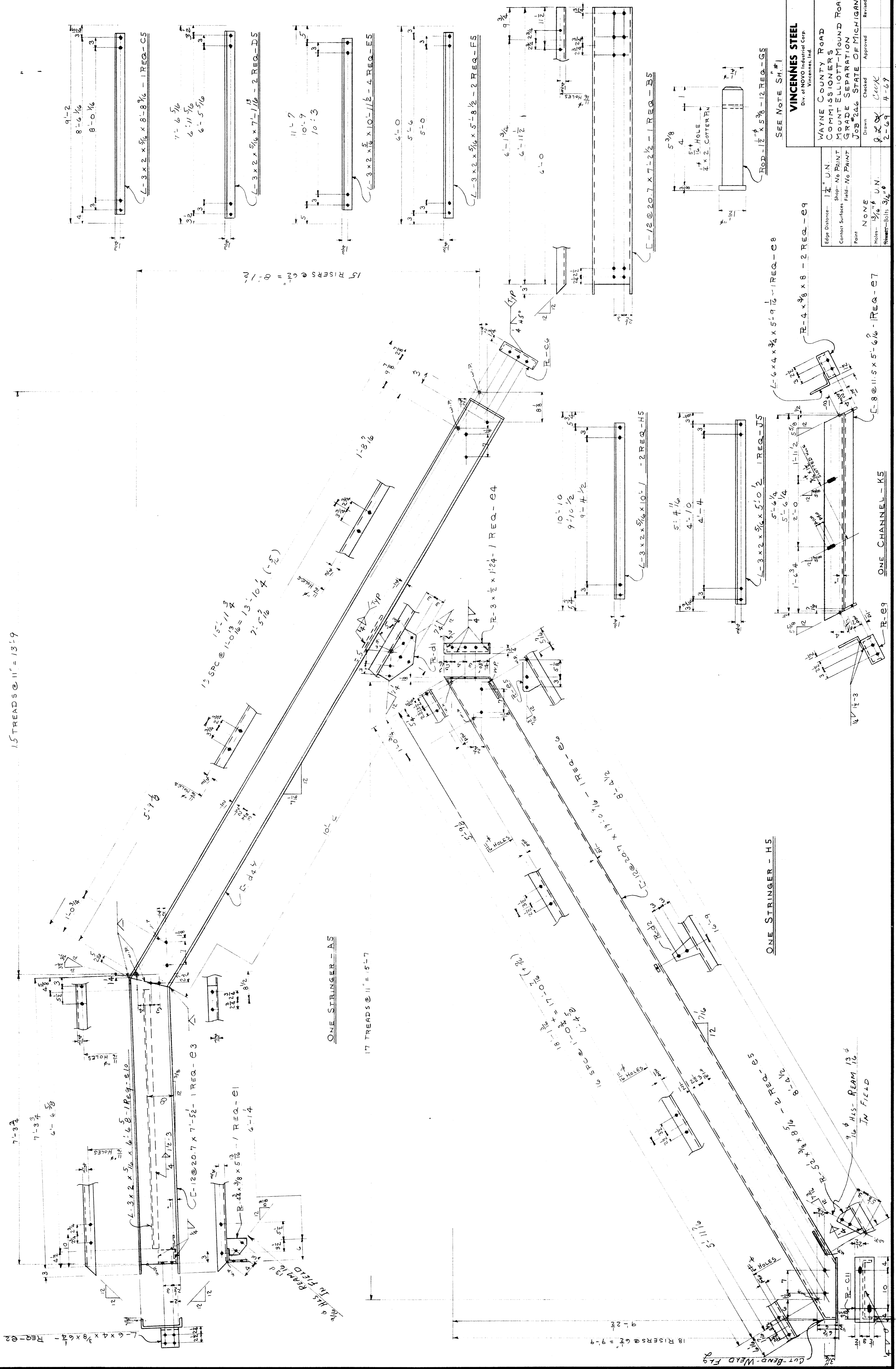
SEE NOTE SH #1

VINCENNES STEEL
 Div. of NOVO Industrial Corp.
 Vincennes, Ind.

Wayne County Road	Checked	Approved	Revised
Commissioners	Drawn	3-29	3-29
Count Elliott/Mound Road	Shop - No Print		
Grade Separation	Field - No Print		
State of Michigan	Paint	NONE	
	Holes - 3/16 UN		
	Welds - Bolts		

1 2 3 4 5 6 7 8 9 10 11 12 13 14 15 16 17 18 19 20 21 22 23 24 25 26 27 28 29 30 31 32 33 34 35 36 37 38 39 40 41 42 43 44 45 46 47 48 49 50

15 TREADS @ 11" = 13'-9"



SEE NOTE SH.#1

Edge Distance	1 1/2" UN.
Contact Surface	Shop - No PAINT Field - No PAINT
Point	NONE
Holes	13/16" UN.
Fasteners - Bolts	3/4"

VINCENNES STEEL
Div. of NOVO Industrial Corp.
Vincennes, Ind.

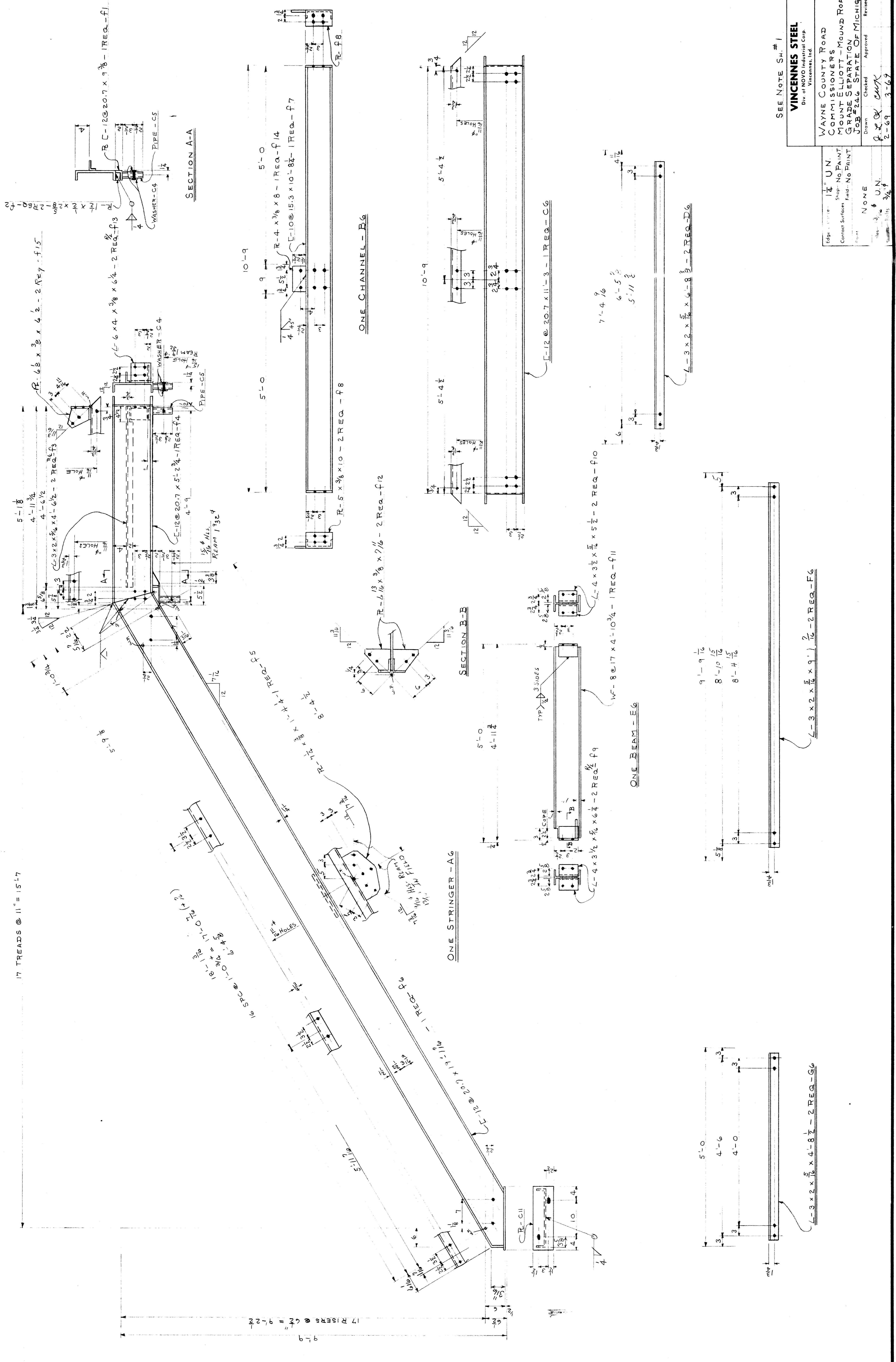
WAYNE COUNTY ROAD
COMMISSIONERS
MOUNT ELLIOTT-MOUND ROAD
GRADE SEPARATION
JOB # 246 STATE OF MICHIGAN

Drawn: J. J. C. [Signature]
Checked: J. J. C. [Signature]
Approved: [Signature]
Revised: [Signature]

Contr. No. 4-68 Sh. 5

15 16 17 18 19 20 21 22 23 24 25 26 27 28 29 30 31 32 33 34 35 36 37 38 39 40 41 42 43 44 45 46 47 48 49 50

17 TREADS @ 1" = 15'-7"



SEE NOTE SH. # 1

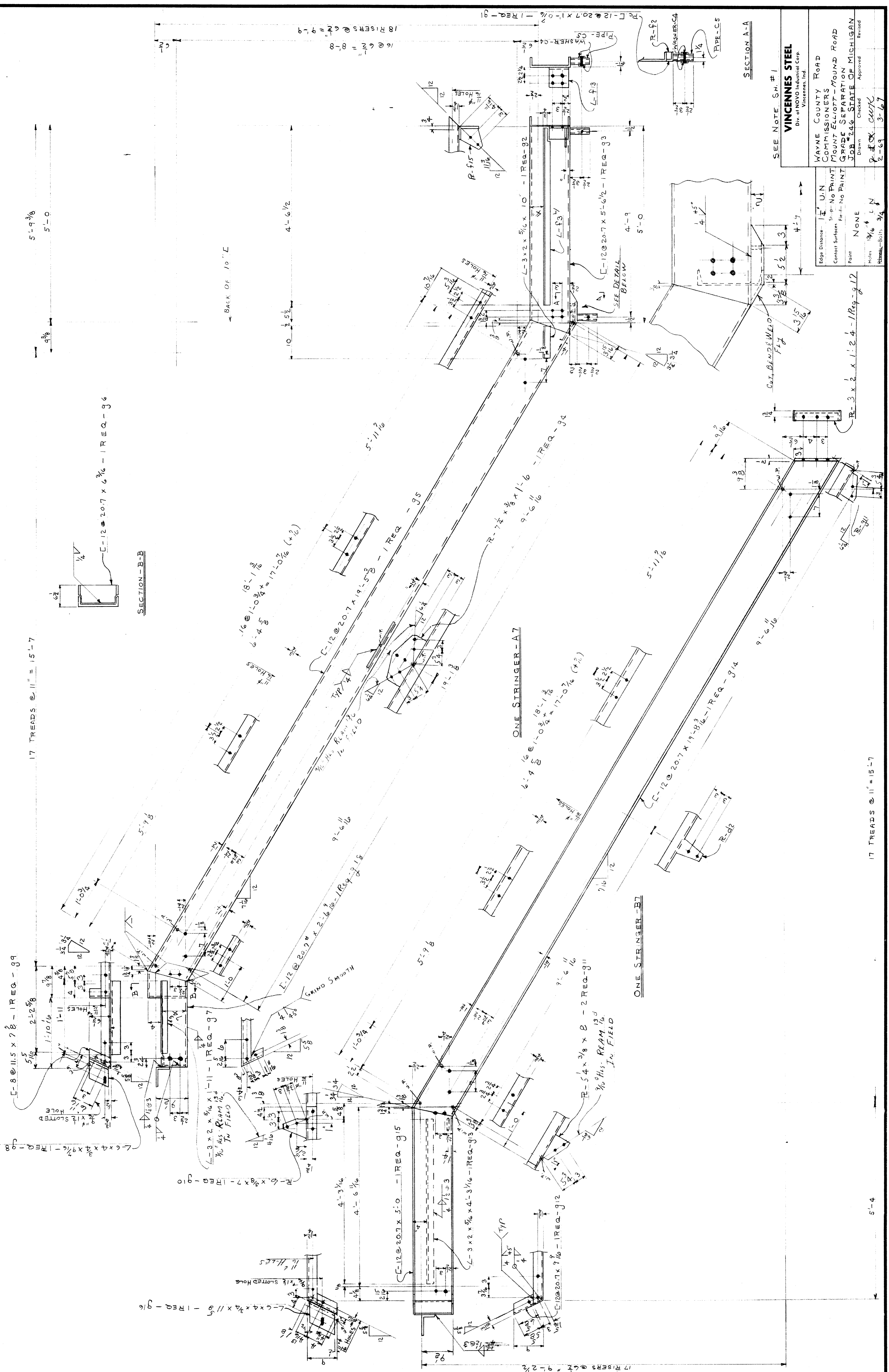
VINCENNES STEEL
Div. of HOVO Industrial Corp.
Vincennes, Ind.

WAYNE COUNTY ROAD
COMMISSIONERS
MOUNT ELLIOTT - MOUND ROAD
GRADE SEPARATION
JOB # 246 STATE OF MICHIGAN

Drawn: [Signature]
Checked: [Signature]
Approved: [Signature]

2-69 3-69

1 2 3 4 5 6 7 8 9 10 11 12 13 14 15 16 17 18 19 20 21 22 23 24 25 26 27 28 29 30 31 32 33 34 35 36 37 38 39 40 41 42 43 44 45 46 47 48 49 50



17 TRENDS @ 11" = 15'-7"

SECTION-B-B

SECTION A-A

SEE NOTE SH. # 1

VINCENNES STEEL
Div. of WOOD Industrial Corp.
Vincennes, Ind.

WAYNE COUNTY ROAD
COMMISSIONERS
MOUNT ELLIOTT-MOUND ROAD
GRADE SEPARATION
JOB # 246 STATE OF MICHIGAN

Edge Distance: 1 1/4" UN PAINT
Contact Surface: 5/16" No PAINT
Paint: NONE

Drawn: P. J. O'CONNOR
Checked: C. W. K.
Approved: [Signature]

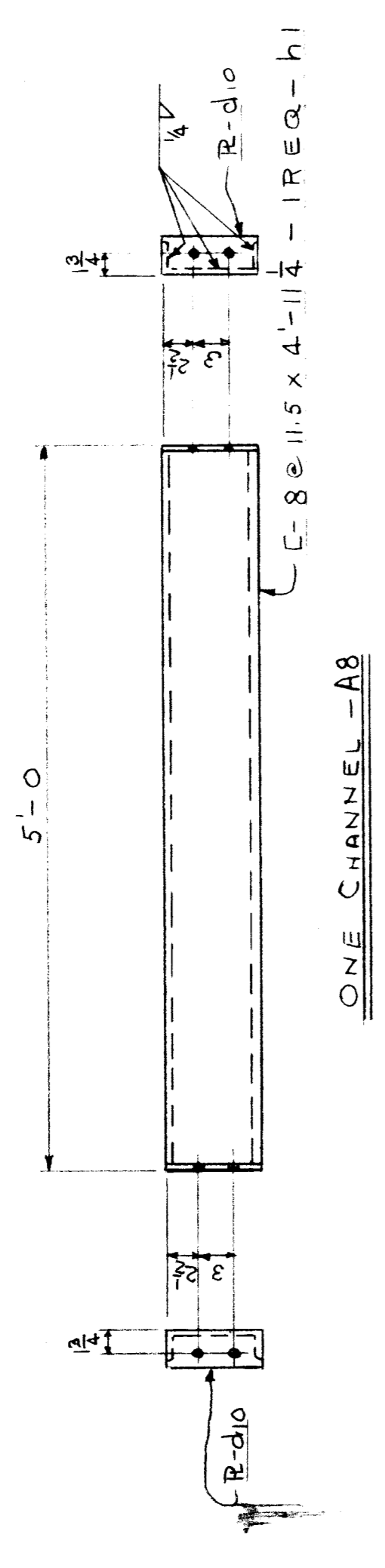
Revised: 2-69

Contr. No. 4-68 Sh. 7 of 8

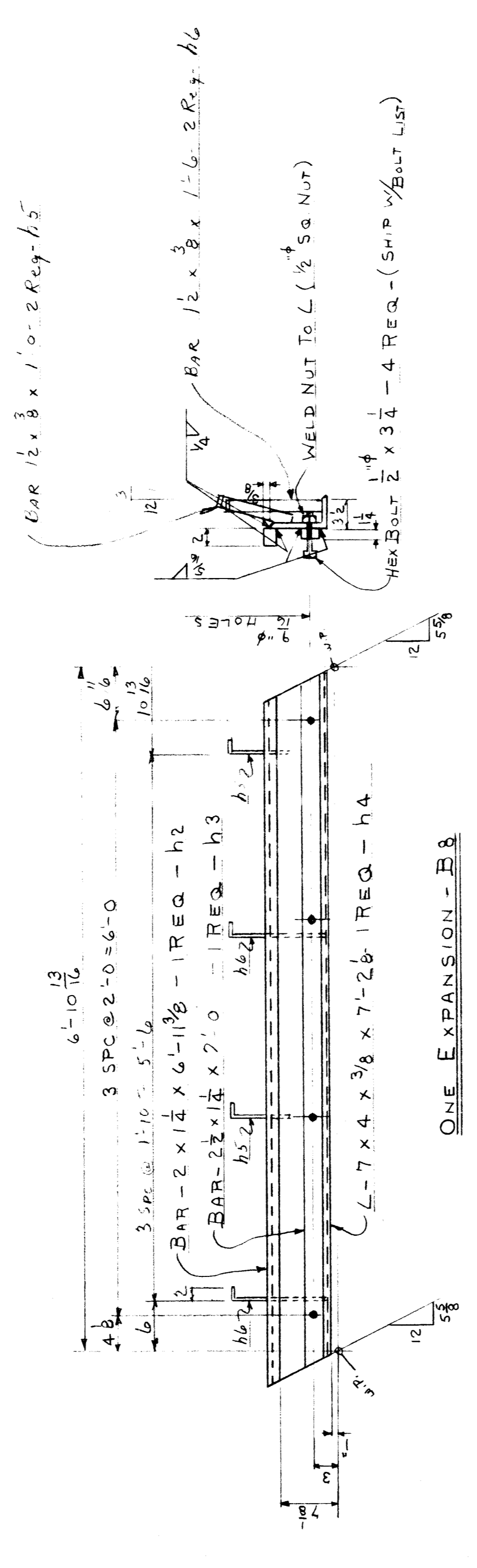
17 TRENDS @ 11" = 15'-7"

5'-4

5 6 7 8 9 10 11 12 13 14 15 16 17 18 19 20 21 22 23 24 25 26 27 28 29 30 31 32 33 34 35 36 37 38 39 40 41 42 43 44 45 46 47 48 49 50



ONE CHANNEL - A8



BAR 1 1/2 x 3/8 x 1'-0" - 2 REQ - h5

BAR 1 1/2 x 3/8 x 1'-6" - 2 REQ - h6

ONE EXPANSION - B8

BOLT LIST # 468			
QTY	SIZE	KIND	LOCATION
132	3/4" x 2"	HEX BOLT	HEX HEAD NUT
46	3/4" x 2 1/4"	do	do
16	3/4" x 2 1/2"	do	do
8	3/4" x 2 3/4"	do	do
95	5/8" x 2"	HEX BOLT	HEX HEAD NUT
20	3/4" HARD	WASHER	
20	3/4" BEV	WASHER	16 3/4" x 3/4"
4	1/2" x 3/4"	HEX BOLT	HEX HEAD NUT
			EXPANSION

SEE NOTES SHEET

VINCENNES STEEL
Div. of INVO Industrial Corp.
Vincennes, Ind.

WAYNE COUNTY ROAD
COMMISSIONERS
MOUNT ELLIOTT - MOUND ROAD
GRADE SEPARATION
JOB # 246 STATE OF MICHIGAN

Edge Distance - 1 1/4" UN.
Shop - No PAINT
Field - No PAINT

Point NONE
Holes - 15/16" UN.
Fasteners - Bolts 3/4"

Drawn: [Signature]
Checked: [Signature]
Approved: [Signature]
Revised: [Signature]

2-67 3-67

Contr. No. 468 Sh. 8 of 8