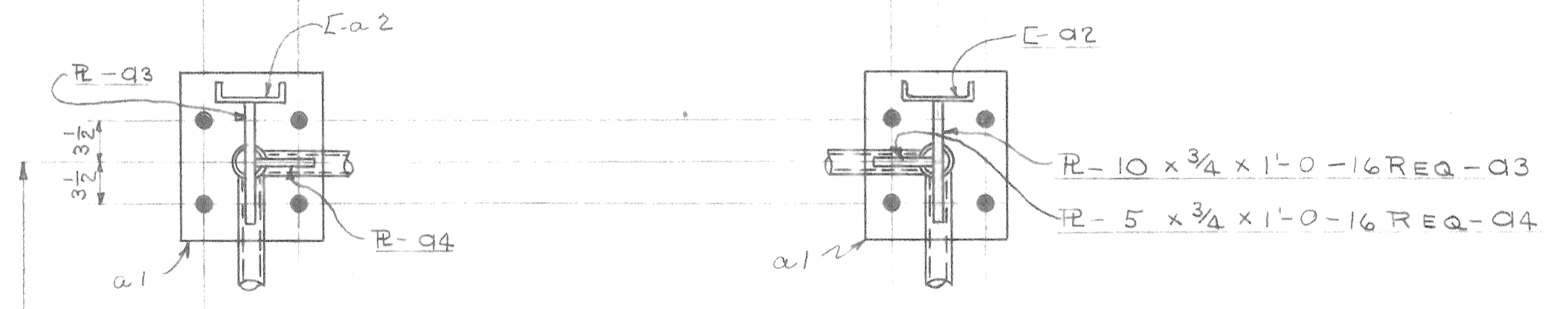
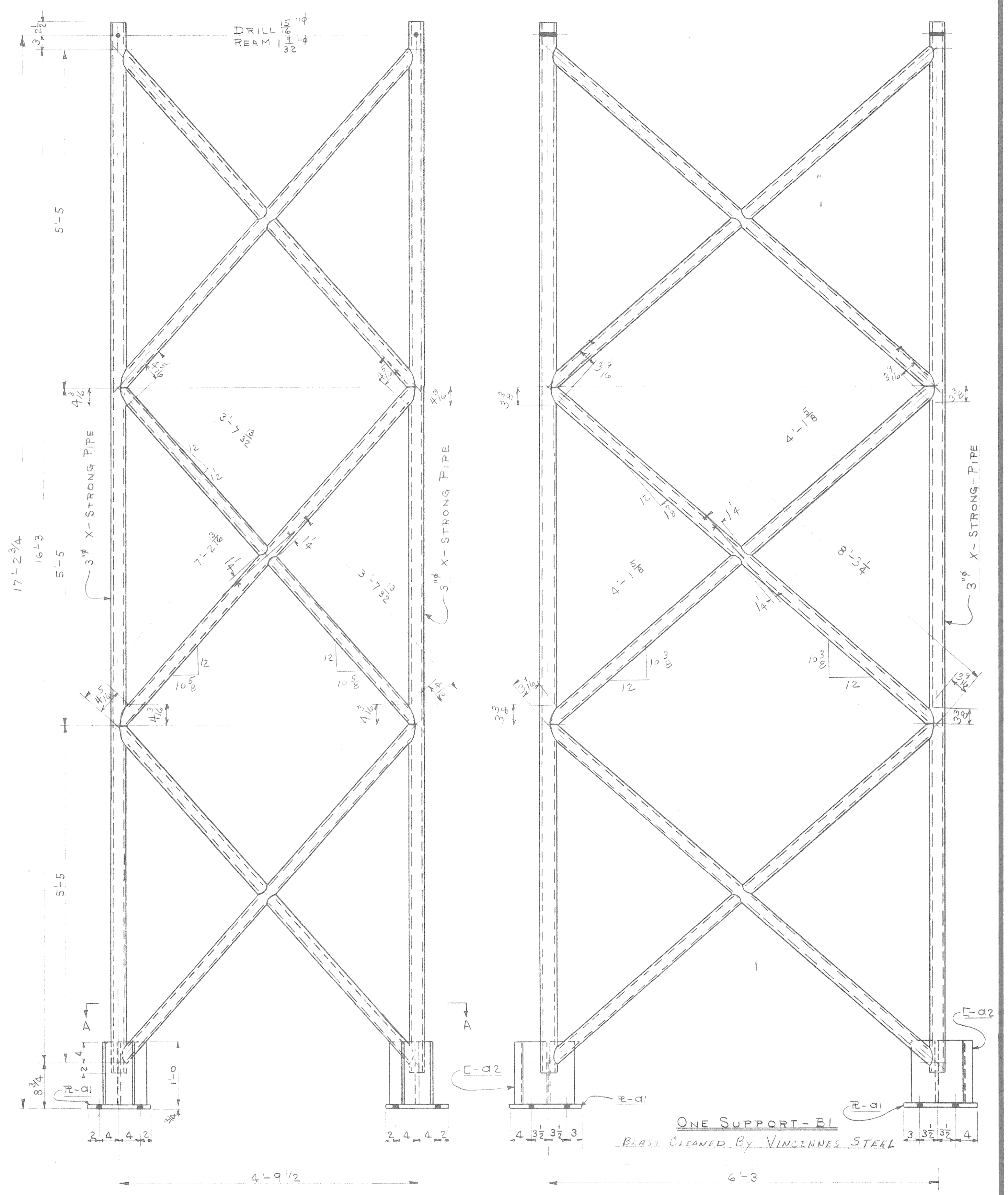
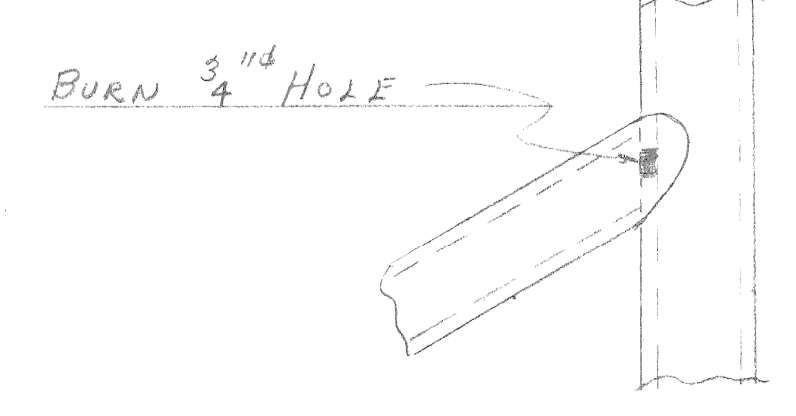


ONE SUPPORT - A1



SECTION A-A

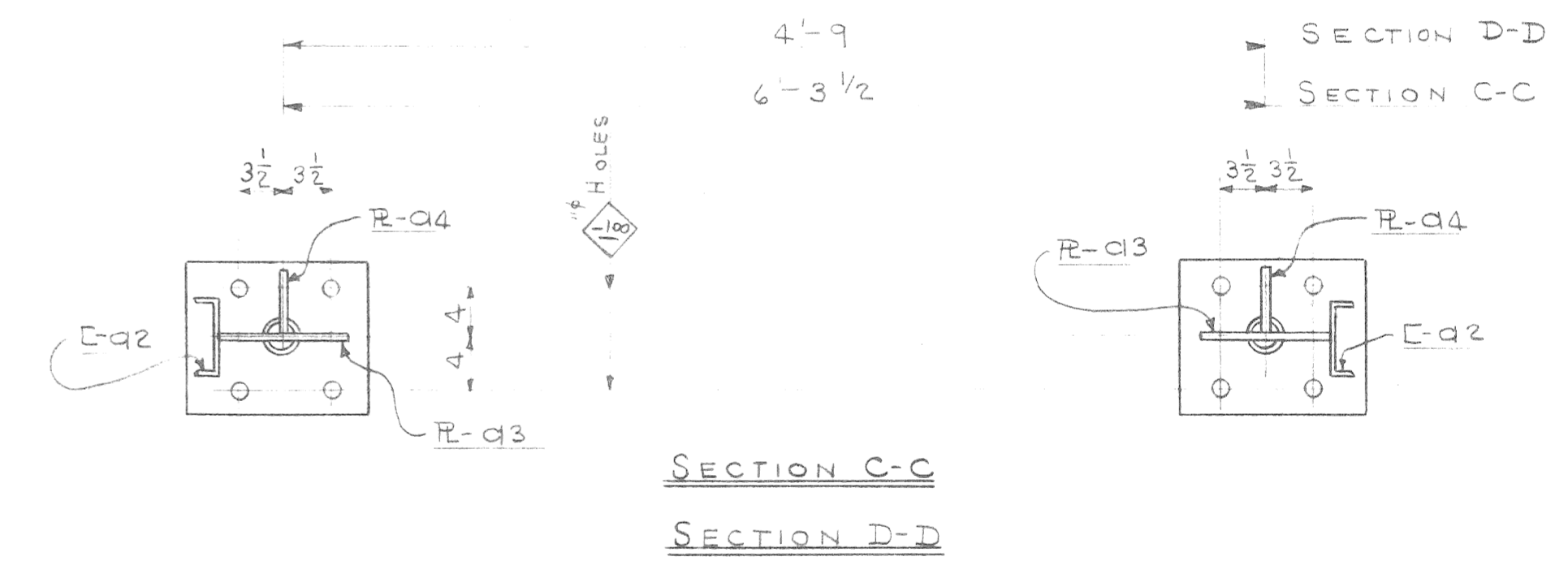
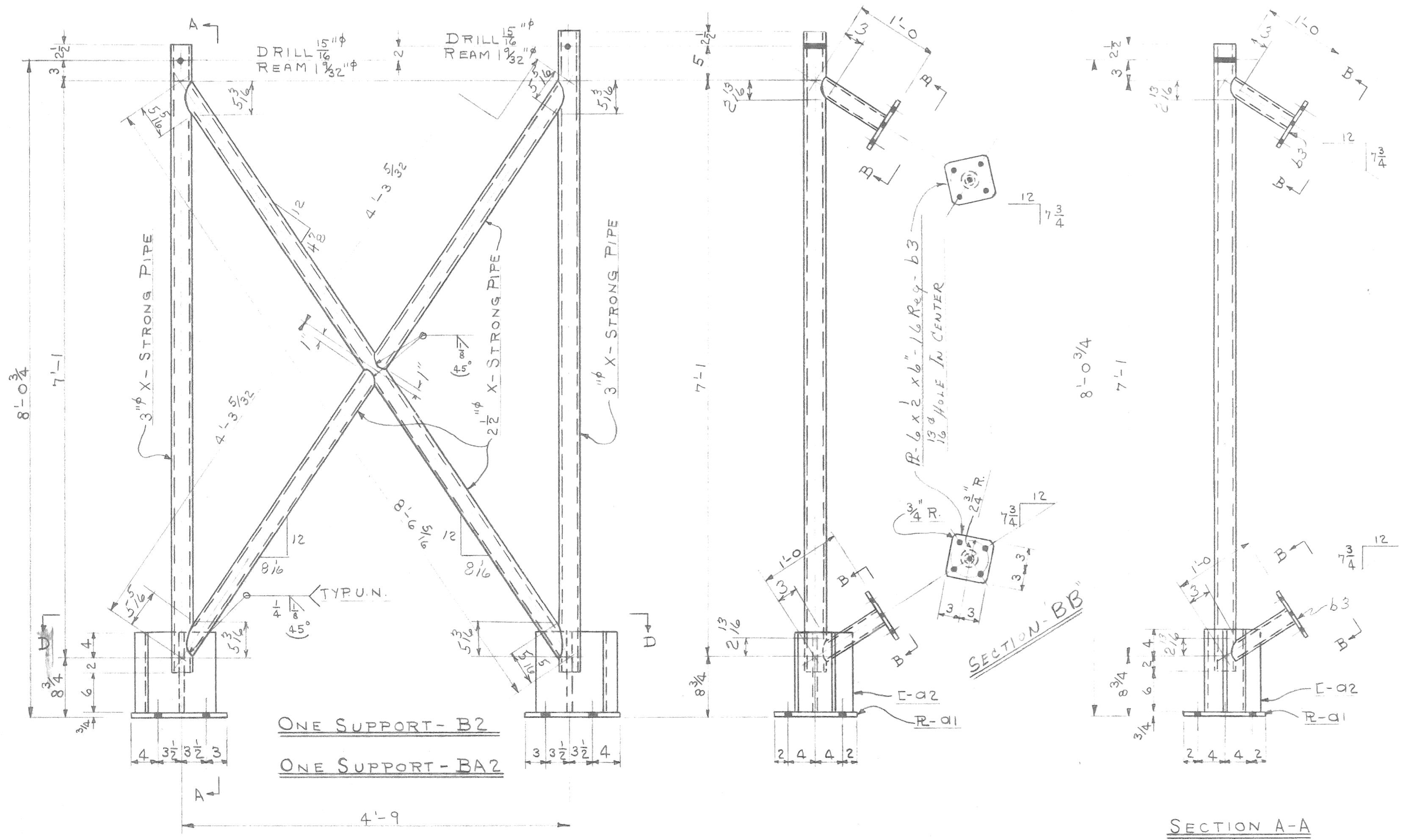
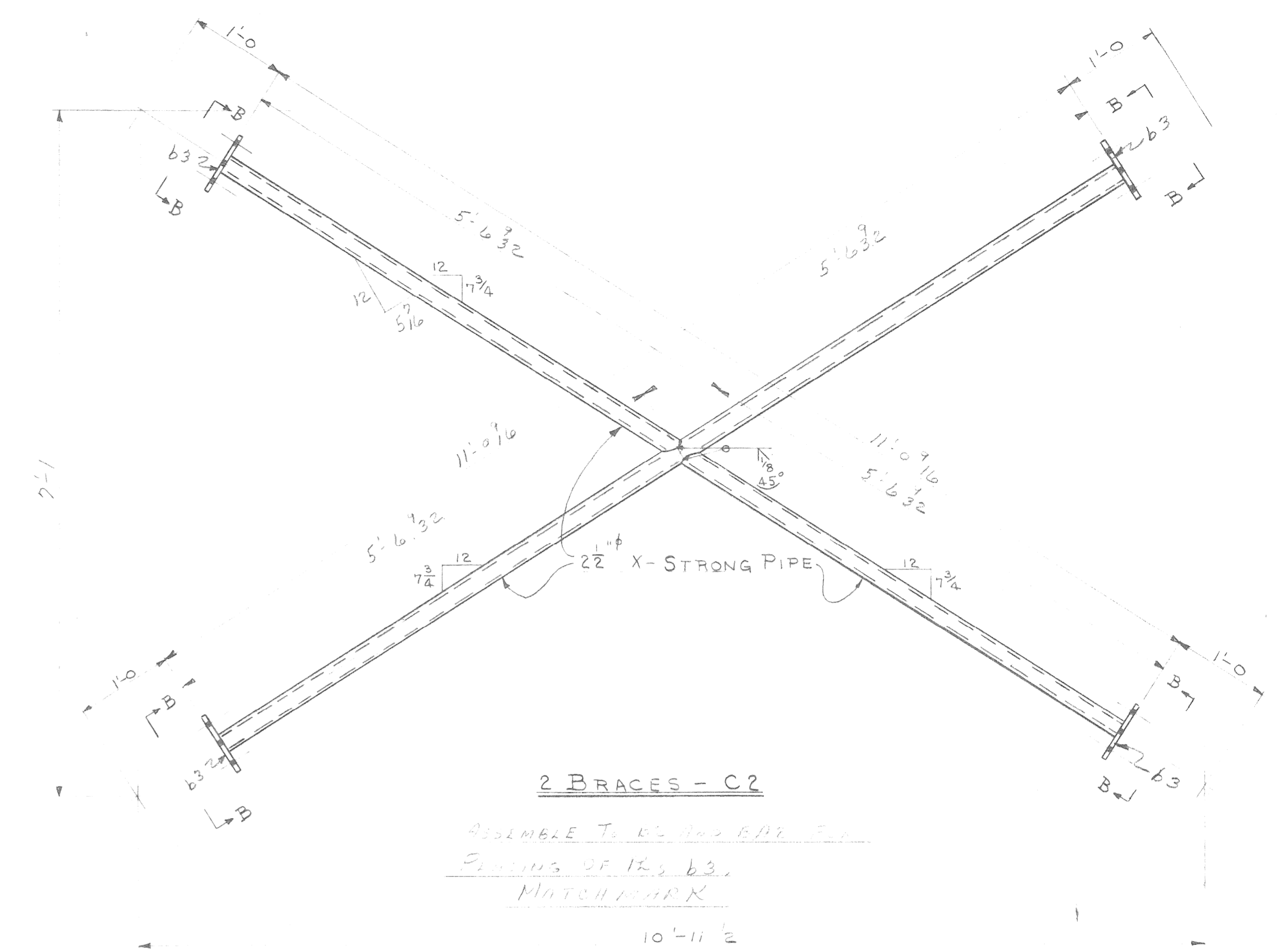
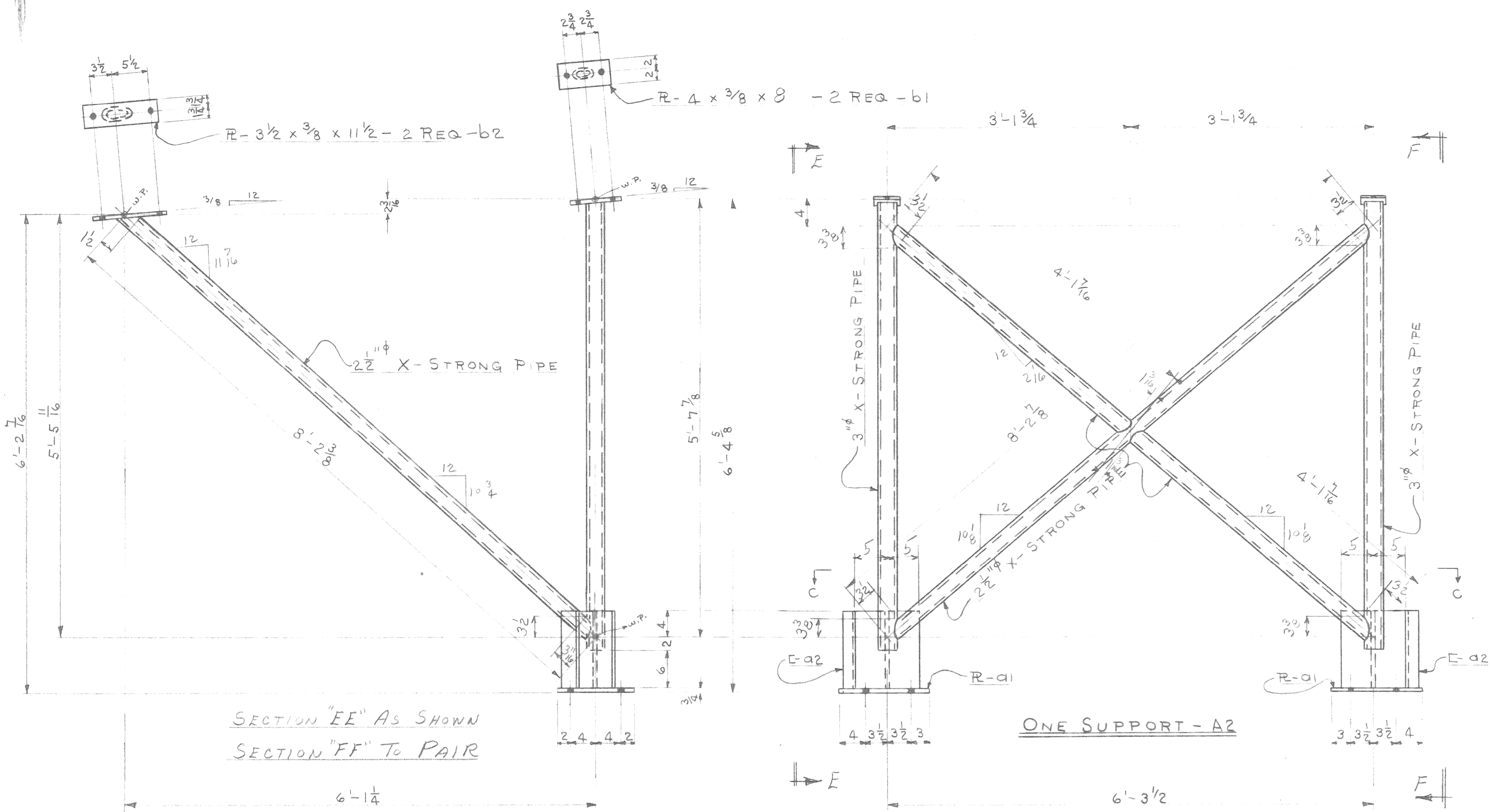


ONE SUPPORT - B1
BLAST CLEANED BY VINCENNES STEEL

NOTE:
PIPE TO BE VENTED WITH A 3/4" BURNED HOLE IN UNEXPOSED AREA AT ALL INTERSECTIONS OF PIPE.
ALL STEEL SHALL BE GALVANIZED ACCORDING TO A.S.T.M. A-153 AFTER FABRICATION.
ALL PIPE TO BE ASTM-A120

Edge Distance	As NOTED
Contact Surfaces	Shop - No PAINT Field - No PAINT
Paint	NONE
Holes	As NOTED
Nuts - Bolts	

VINCENNES STEEL Div. of NOVO Industrial Corp. Vincennes, Ind.			
WAYNE COUNTY ROAD COMMISSIONERS MOUNT ELLIOTT-MOUND ROAD GRADE SEPARATION JOB 246 STATE OF MICHIGAN			
Drawn	Checked	Approved	Revised
Q. LOCK	UNK		
1-69	4-69		



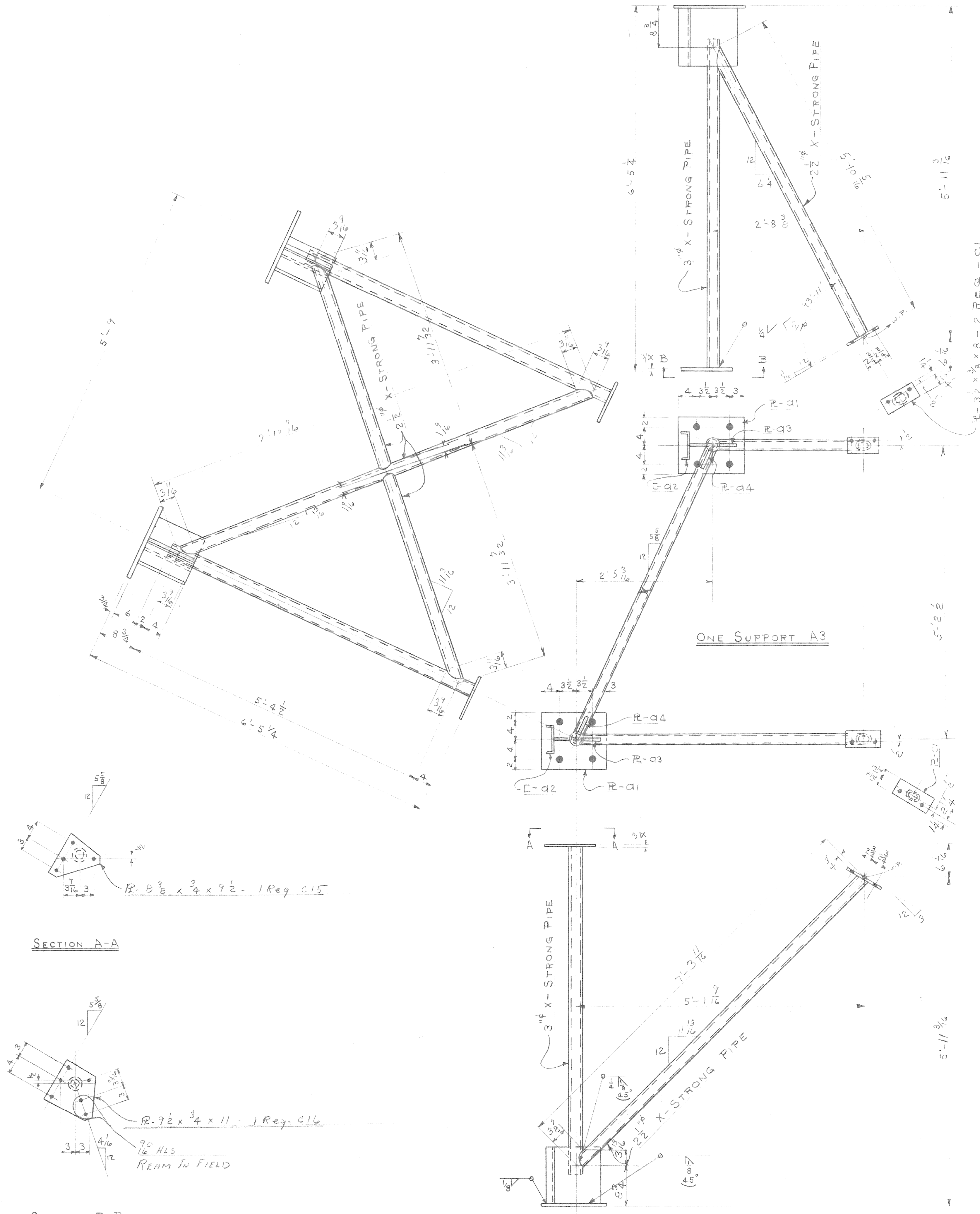
SEE NOTE SH. #1

VINCENNES STEEL
 Div. of NOVO Industrial Corp.
 Vincennes, Ind.

WAYNE COUNTY ROAD
 COMMISSIONERS
 MOUNT ELLIOTT-MOUND ROAD
 GRADE SEPARATION
 JOB #246 STATE OF MICHIGAN

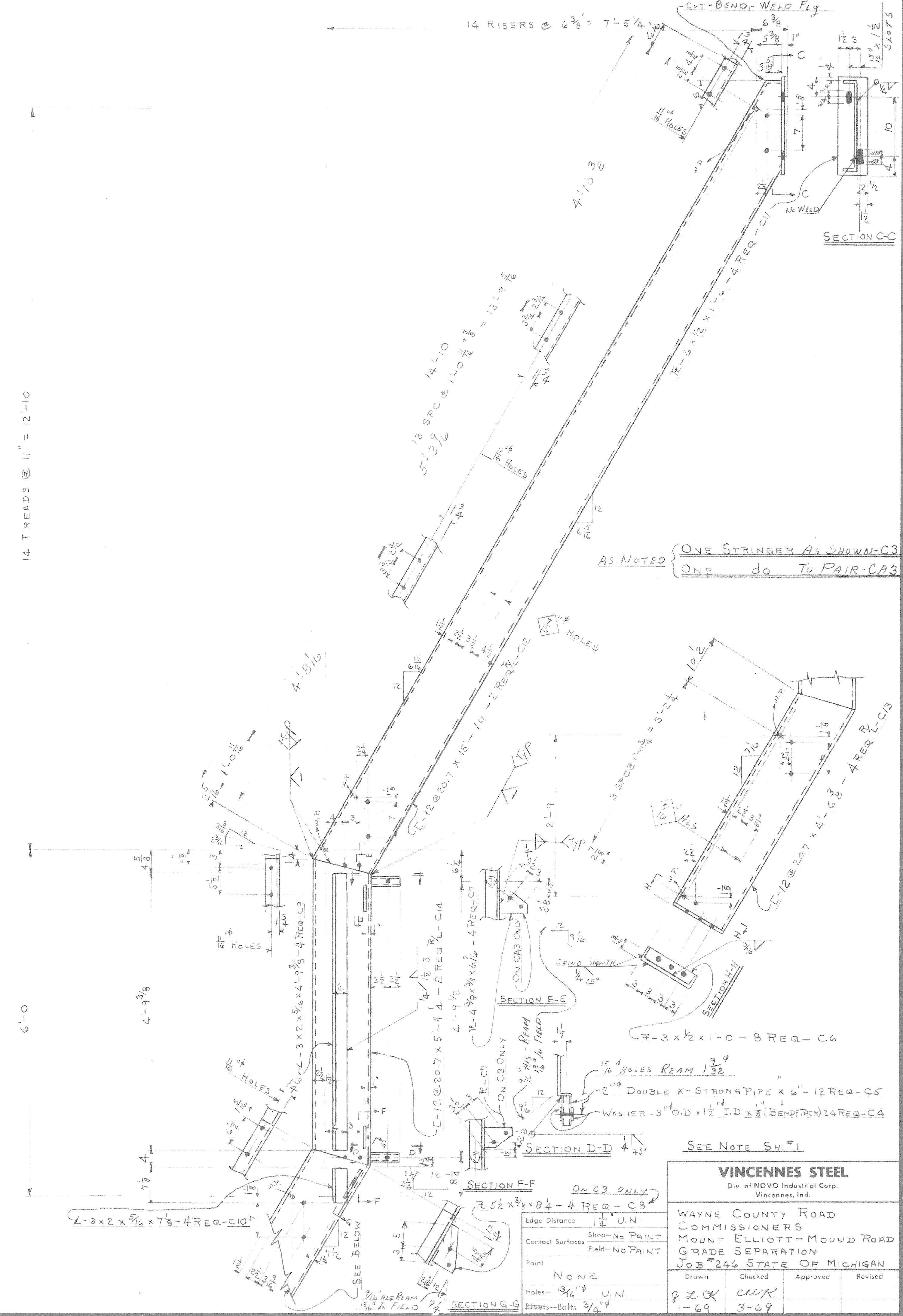
Drawn	Checked	Approved	Revised
Q. L. OK.	CURK		
1-69	4-69		

Edge Distance	1/4" U.N.
Contact Surfaces	Shop - NO PAINT Field - NO PAINT
Paint	NONE
Holes	3/16" J.N.
Welds - Bolts	3/4"



SECTION A-A

SECTION B-B

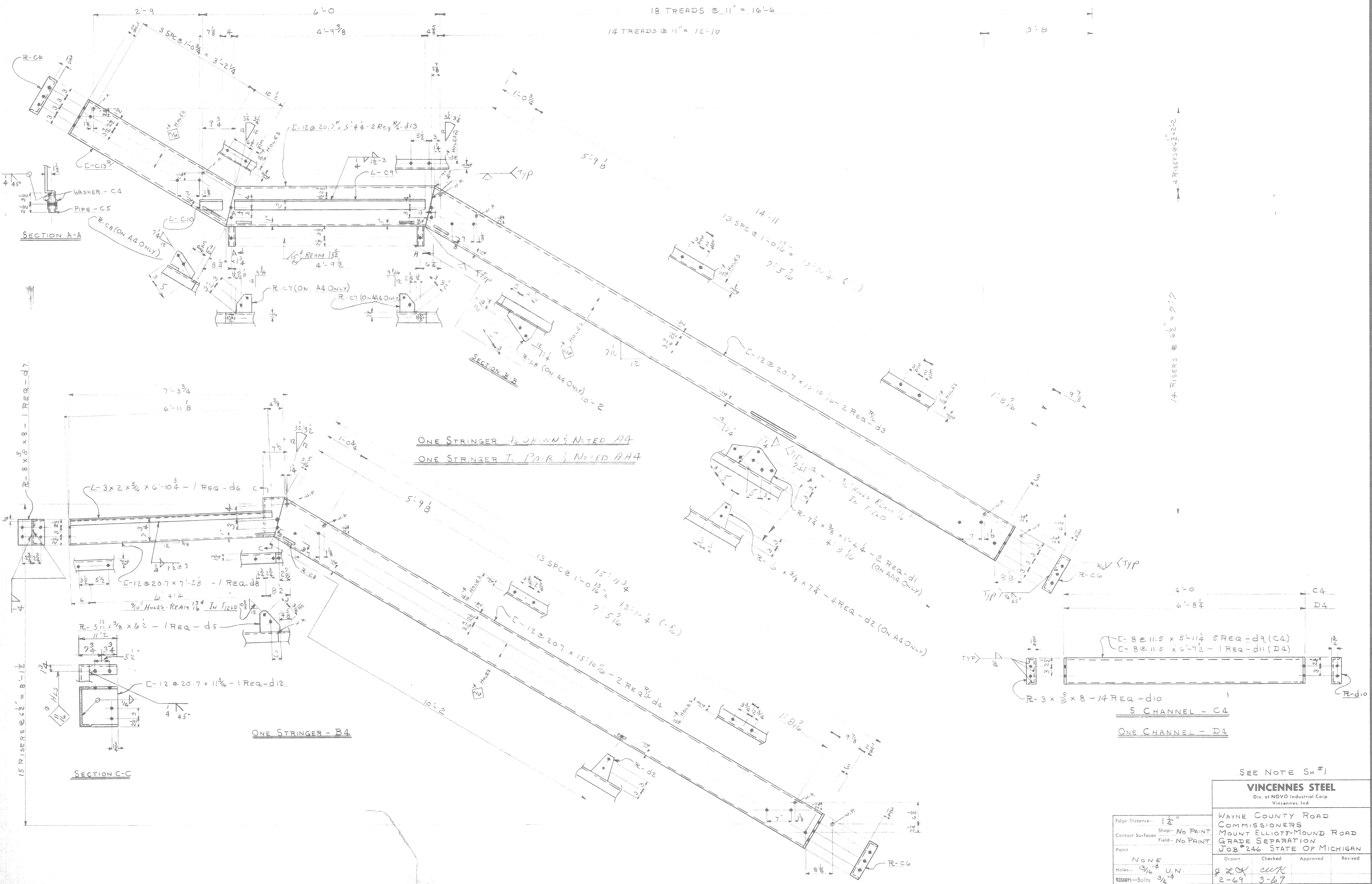


AS NOTED { ONE STRINGER AS SHOWN - C3
ONE do TO PAIR - CA3

VINCENNES STEEL
Div. of NOVO Industrial Corp.
Vincennes, Ind.

WAYNE COUNTY ROAD
COMMISSIONERS
MOUNT ELLIOTT - MOUND ROAD
GRADE SEPARATION
JOB #246 STATE OF MICHIGAN

Edge Distance -	1 1/4" U.N.
Contact Surfaces -	Shop - No PAINT Field - No PAINT
Point	NONE
Holes -	13/16" U.N.
Nuts - Bolts -	3/4"



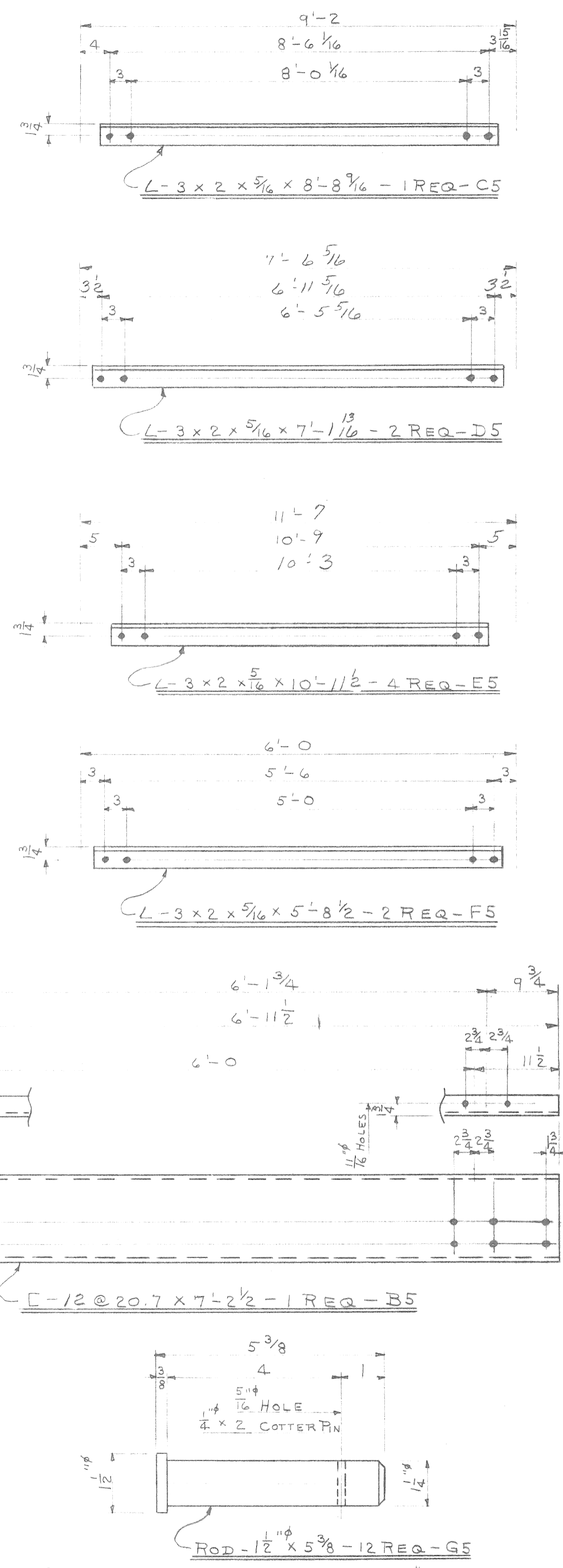
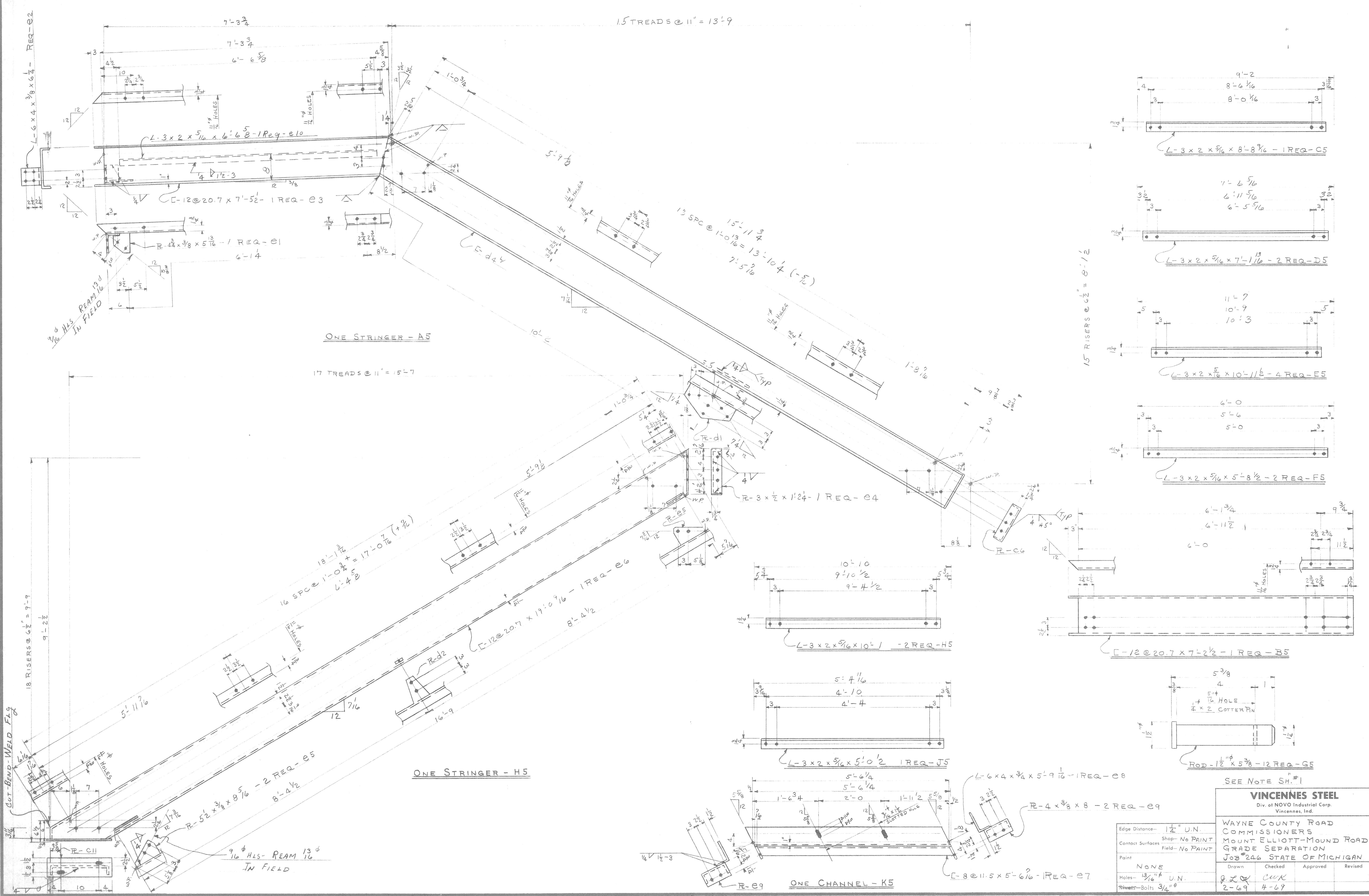
SEE NOTE SH #1

VINCENNES STEEL
Div. of NOVO Industrial Corp.
Vincennes, Ind.

WAYNE COUNTY ROAD
COMMISSIONERS
MOUNT ELLIOTT-MOUND ROAD
GRADE SEPARATION
JOB #246 STATE OF MICHIGAN

Edge Distance - 1 1/4"	Shop - NO PAINT	Field - NO PAINT
Paint - NONE	Drawn - g. 20	Checked - curk
Holes - 13/16" U.N.	Revised -	Approved -
Bolts - 3/4"	2-69	3-67

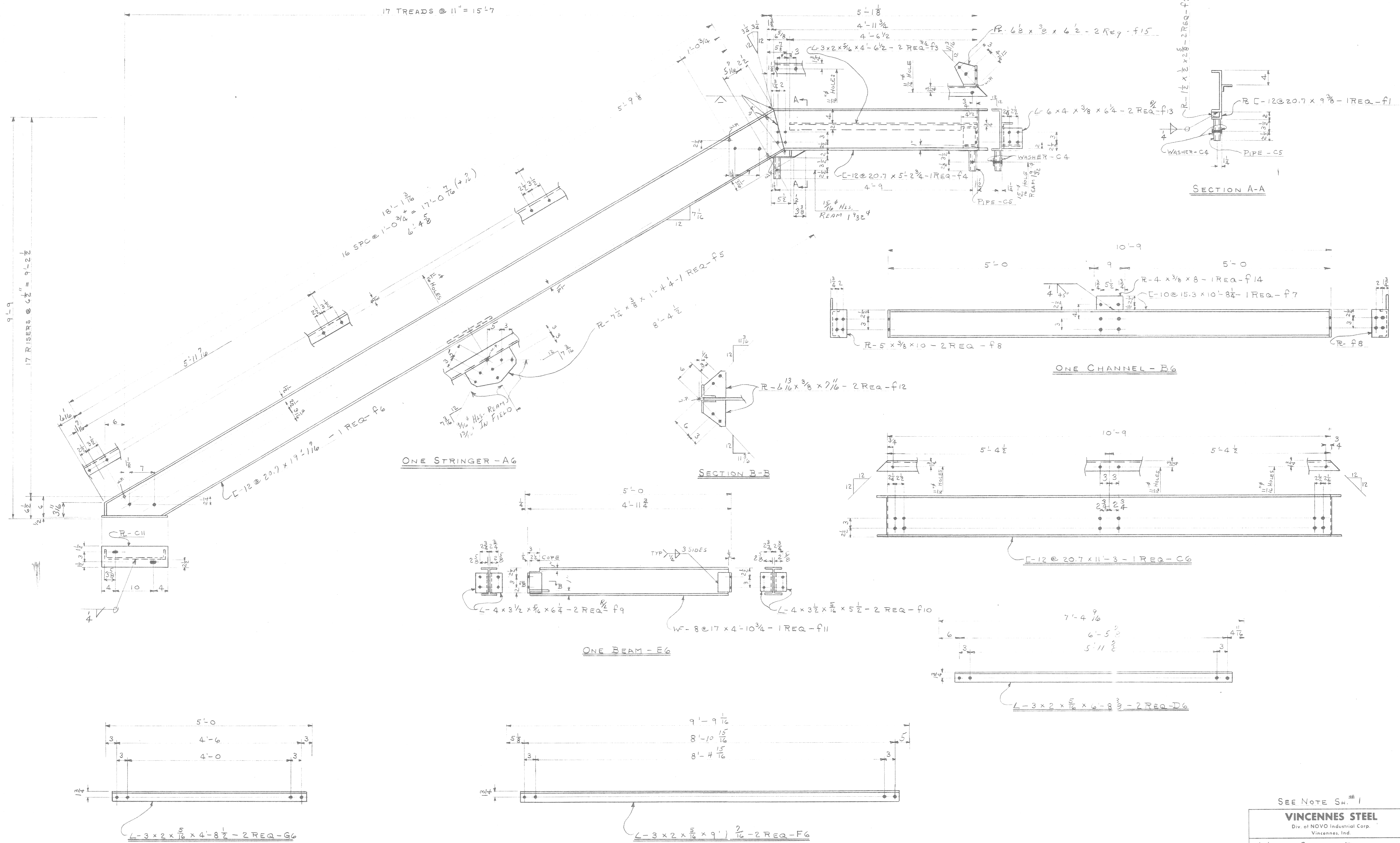
Contr. No. 468 Sh. 4 of 8



SEE NOTE SH.#1

VINCENNES STEEL Div. of NOVO Industrial Corp. Vincennes, Ind.			
WAYNE COUNTY ROAD COMMISSIONERS MOUNT ELLIOTT-MOUND ROAD GRADE SEPARATION JOB #246 STATE OF MICHIGAN			
Edge Distance - 1 1/2" U.N.	Shop - No PAINT	Field - No PAINT	Paint
NONE			
Holes - 3/16" U.N.	Drawn	Checked	Approved
Fasteners - Bolts 3/4" φ	R.L.C.	C.W.K.	4-69
2-69			

Contr. No. 468 Sh. 5 of



SEE NOTE SH. #1

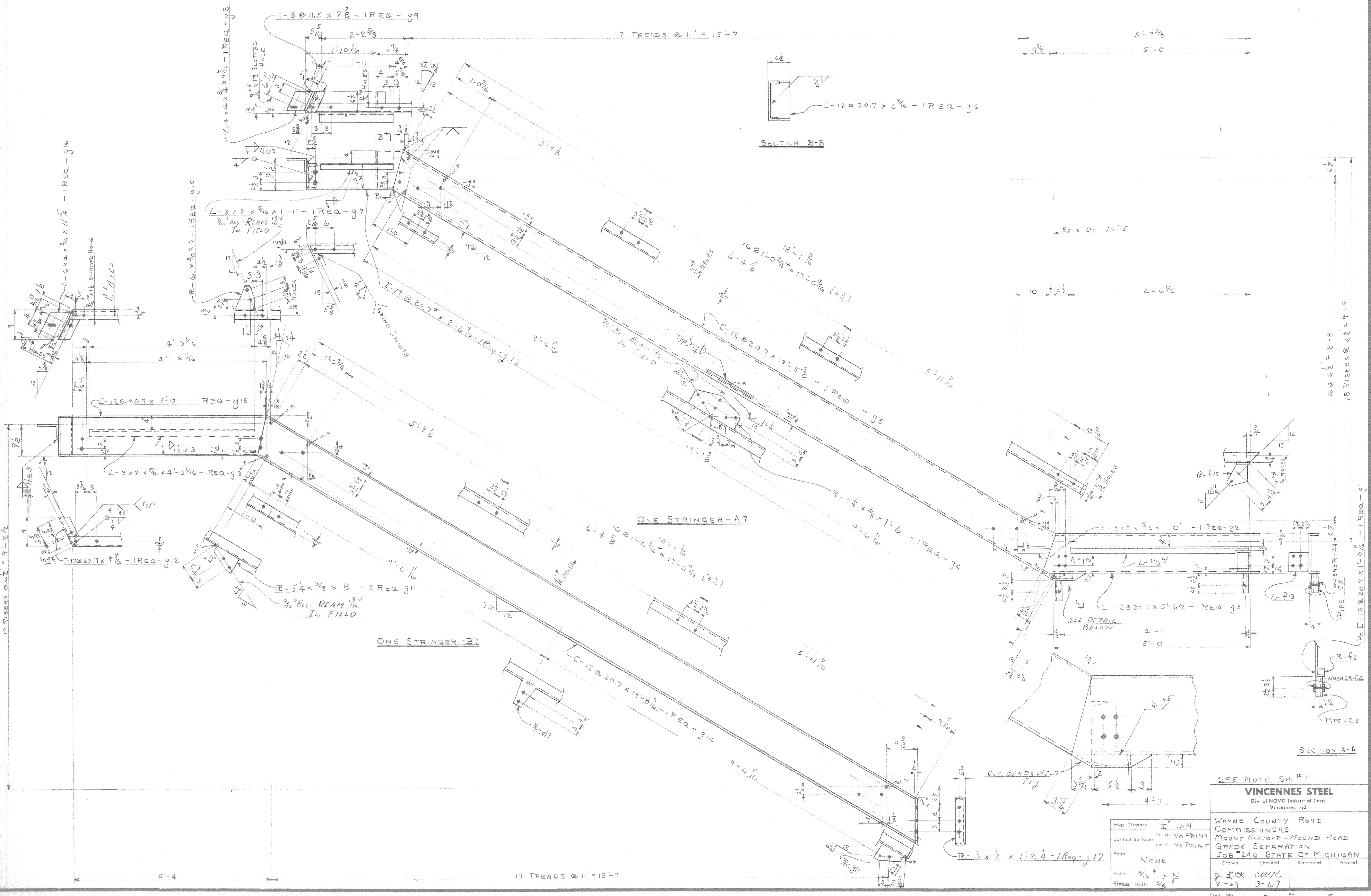
VINCENNES STEEL
 Div. of NOVO Industrial Corp.
 Vincennes, Ind.

WAYNE COUNTY ROAD
 COMMISSIONERS
 MOUNT ELLIOTT - MOUND ROAD
 GRADE SEPARATION
 JOB #246 STATE OF MICHIGAN

Edge - 1/4" UN.	
Contact Surfaces - Field - No PAINT	
Paint - NONE	
Welds - 1/8" UN.	
Bolts - 3/4"	

Drawn	Checked	Approved	Revised
R. L. G.	CUTK		
2-69	3-69		

Contr. No. 468 Sh. 6 of 8



SECTION-B-B

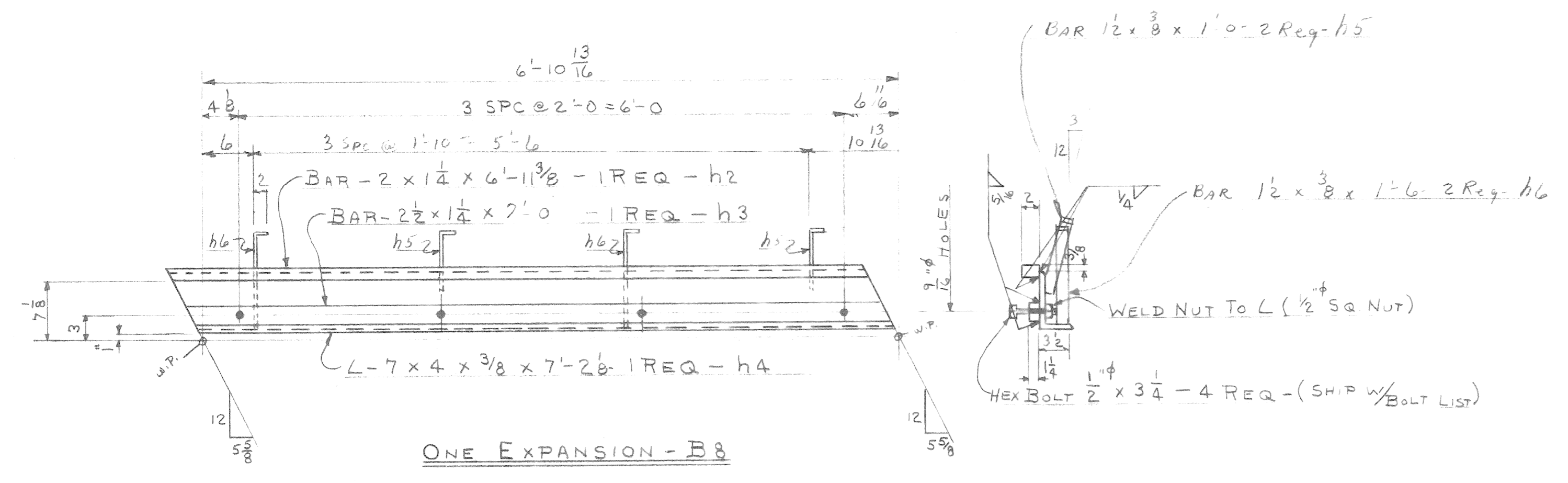
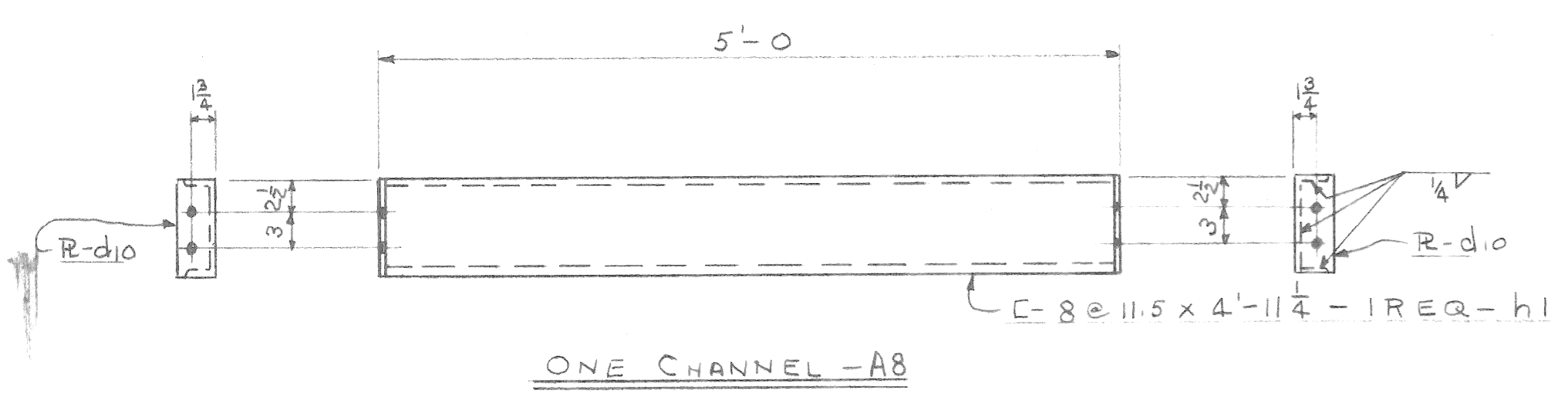
SECTION A-A

SEE NOTE SH. #1

VINCENNES STEEL			
Div. of NOVO Industrial Corp. Vincennes, Ind.			
WAYNE COUNTY ROAD COMMISSIONERS MOUNT ELLIOTT - MOUND ROAD GRADE SEPARATION JOB # 246 STATE OF MICHIGAN			
Drawn	Checked	Approved	Revised
g.p.k. CLK			
2-69	3-67		

Contr. No. 468 Sh. 7 of 8

Edge Distance	1 1/2" U.N.
Contact Surfaces	S-P-No PAINT F-I-d-No PAINT
Paint	NONE
Holes	13/16" L N
Bolts	3/4"



BOLT LIST # 468			
SEND	SIZE	KIND	LOCATION
132	3/4" x 2	H.S. BOLT	
		HEX HD. NUT	
46	3/4" x 2 1/4	do	
16	3/4" x 2 1/2	do	
8	3/4" x 2 3/4	do	
95	5/8" x 2	HEX HD. NUT	RAILING
202	3/4" HARD	WASHER	
20	3/4" BEV HARD	WASHER	16 2/3%
4	1/2" x 3/4"	HEX HD. NUT	EXPANSION

SEE NOTES SHEET 1

VINCENNES STEEL
 Div. of NOVO Industrial Corp.
 Vincennes, Ind.

WAYNE COUNTY ROAD
 COMMISSIONERS
 MOUNT ELLIOTT - MOUND ROAD
 GRADE SEPARATION
 JOB # 246 STATE OF MICHIGAN

Drawn	Checked	Approved	Revised
J. L. O. C. W. K.			
2-69	3-69		

Edge Distance--	1 1/4" U.N.
Contact Surfaces	Shop - NO PAINT Field - NO PAINT
Paint	NONE
Holes--	13/16" U.N.
Recess--Bolts	3/4"