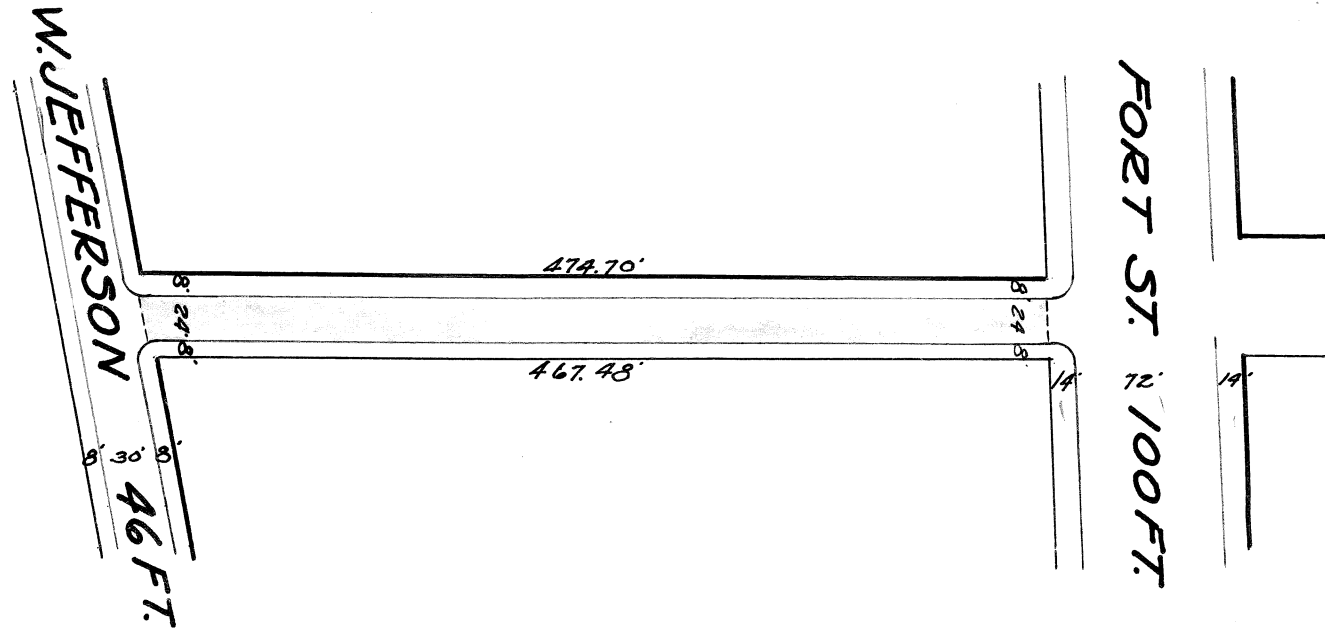


TWENTY THIRD
 FROM W. JEFFERSON TO FORT
 RESURFACE, SH. ASPH., 24 FT. WD.



FINAL MEASUREMENT of RESURFACING

DATE 11-6 1925 - BOOK 545 PAGE 5

FINAL LENGTH 471.70 FEET

ORIGINAL WIDTH 24 FT. FINAL WIDTH 24 FT.

Type of Surface SH. ASPH. 126.677 Sq. Yds

" " " " " " " " " " " "

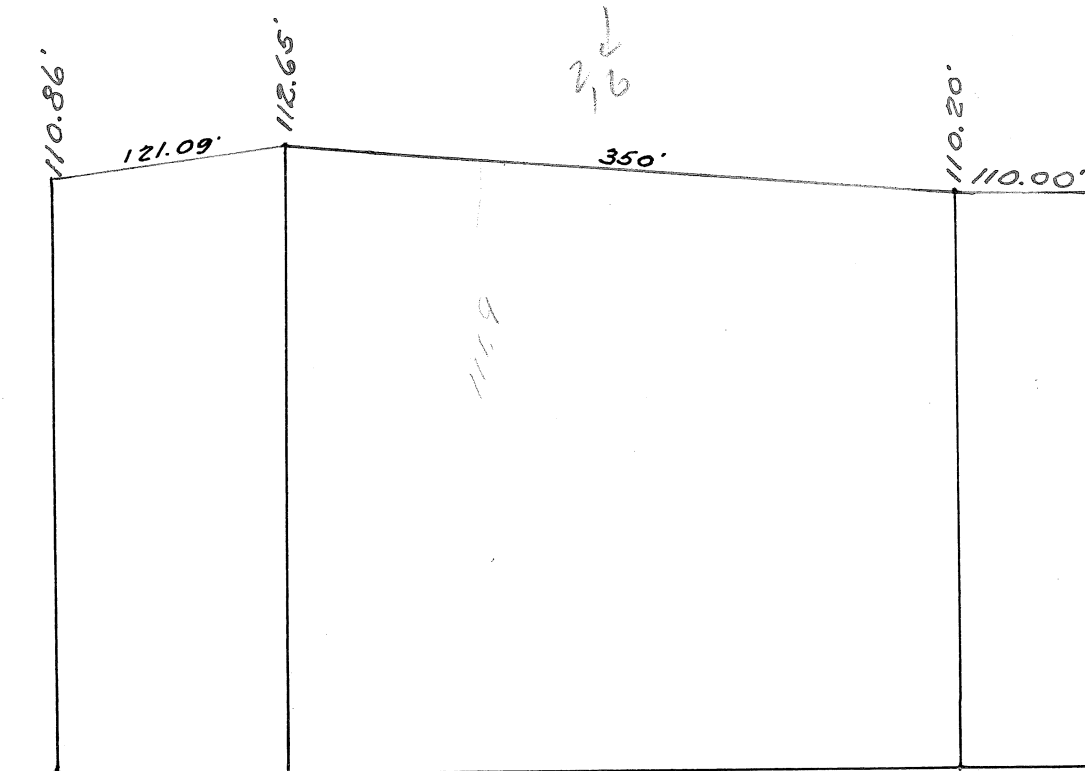
Along Track " " " " " " " " " " " "

In Track " " " " " " " " " " " "

" " " " " " " " " " " "

TOTAL AREA " " " " " " " " " " " "

REMARKS: " " " " " " " " " " " "



7