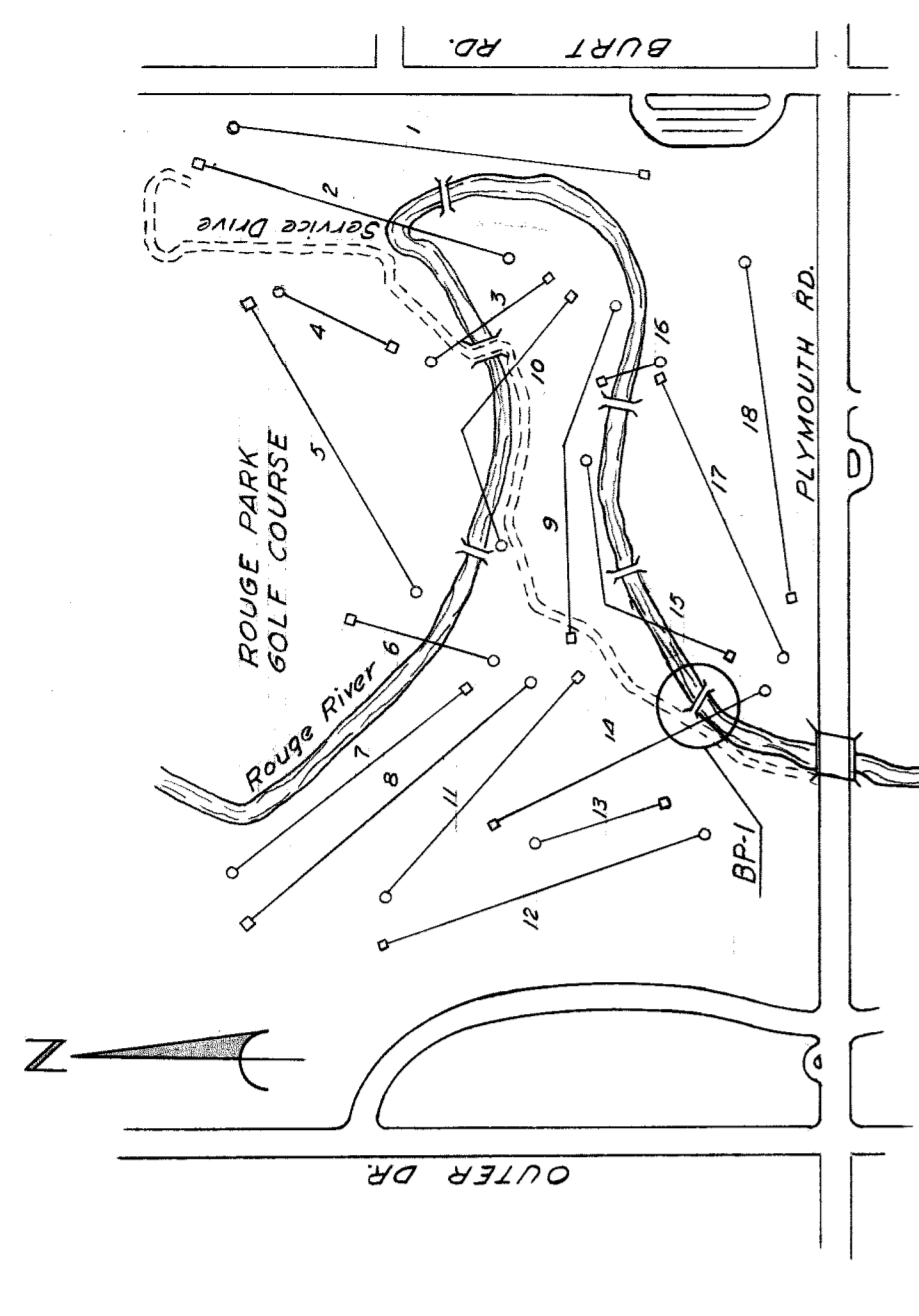
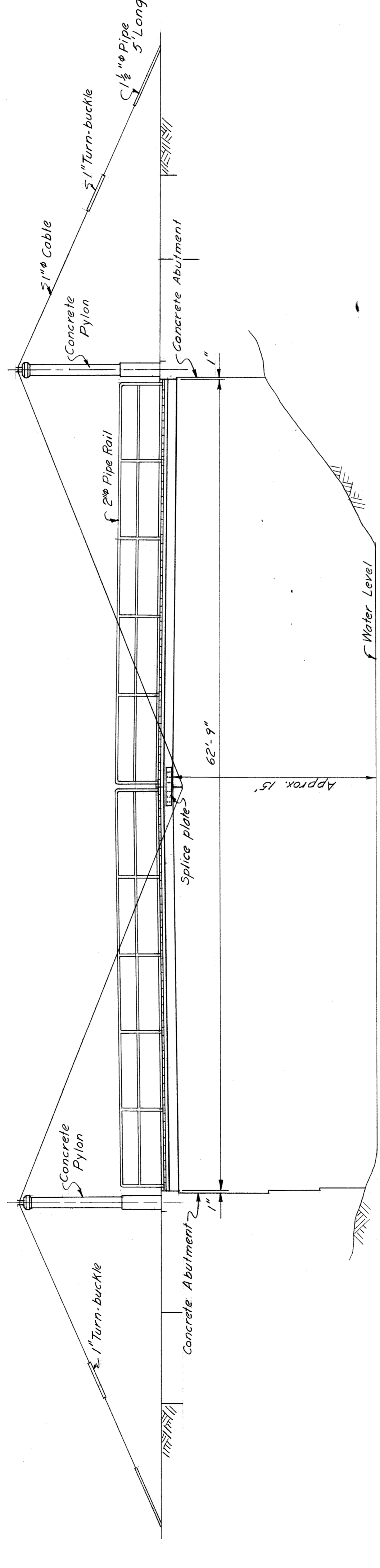


PLAN
SCALE $\frac{3}{16}'' = 1'-0''$

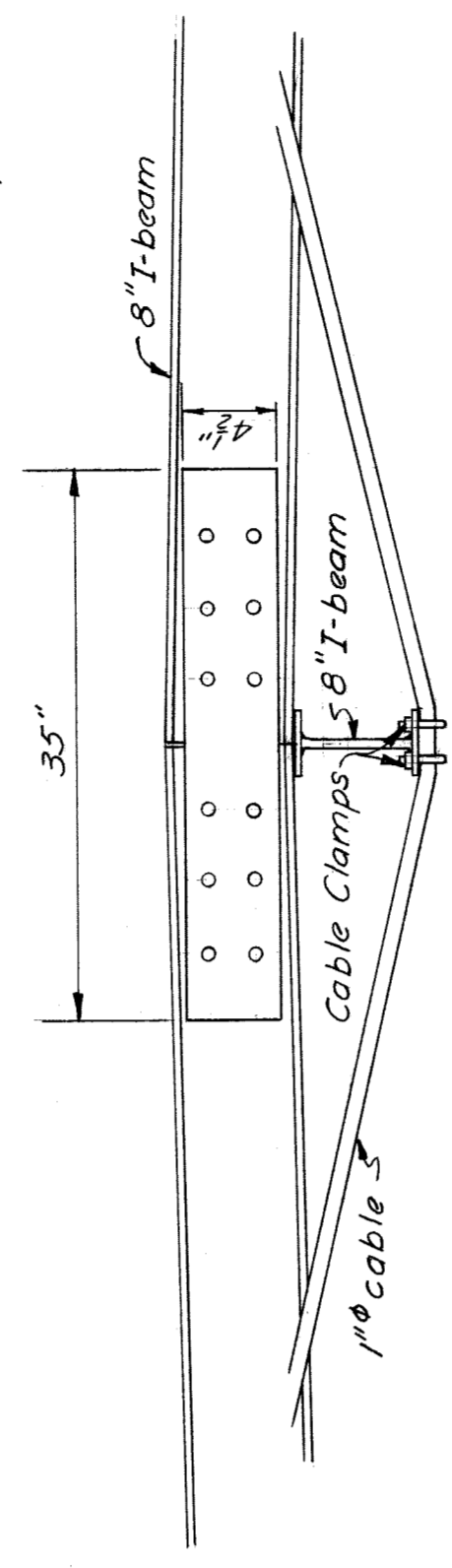


LOCATION PLAN
SCALE IN FEET

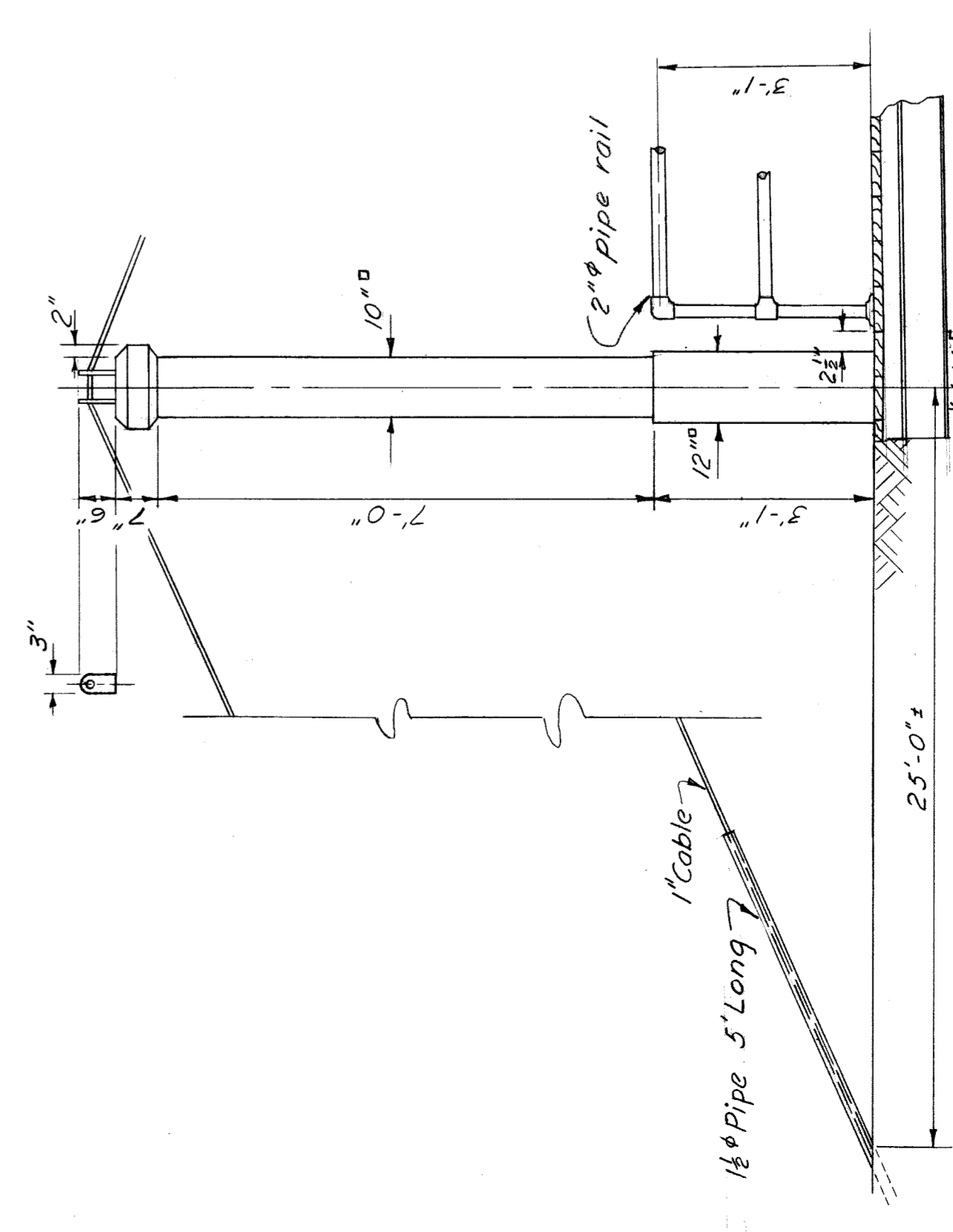


ELEVATION
SCALE $\frac{3}{16}'' = 1'-0''$

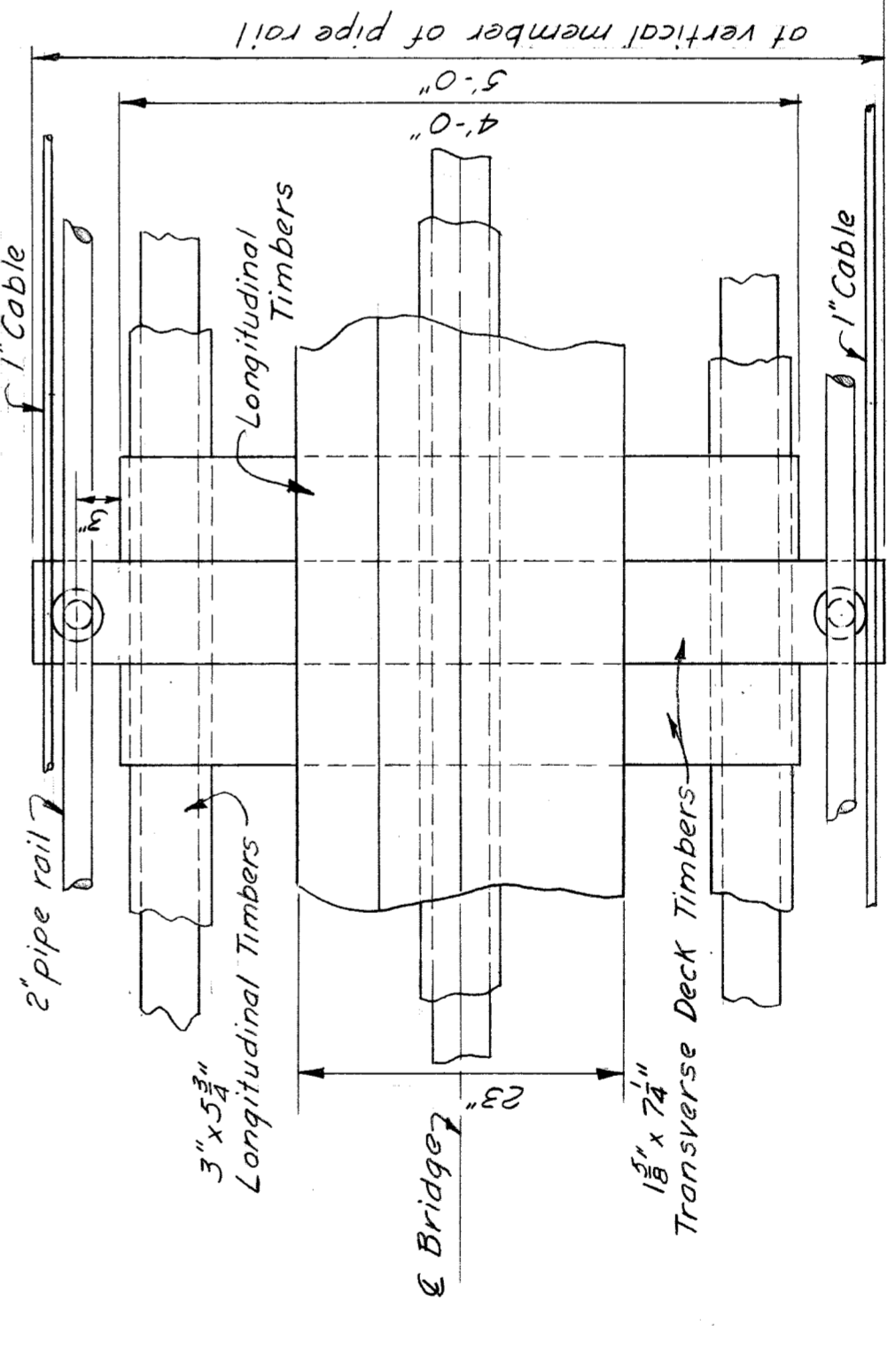
END ELEVATION
SCALE $\frac{3}{16}'' = 1'-0''$



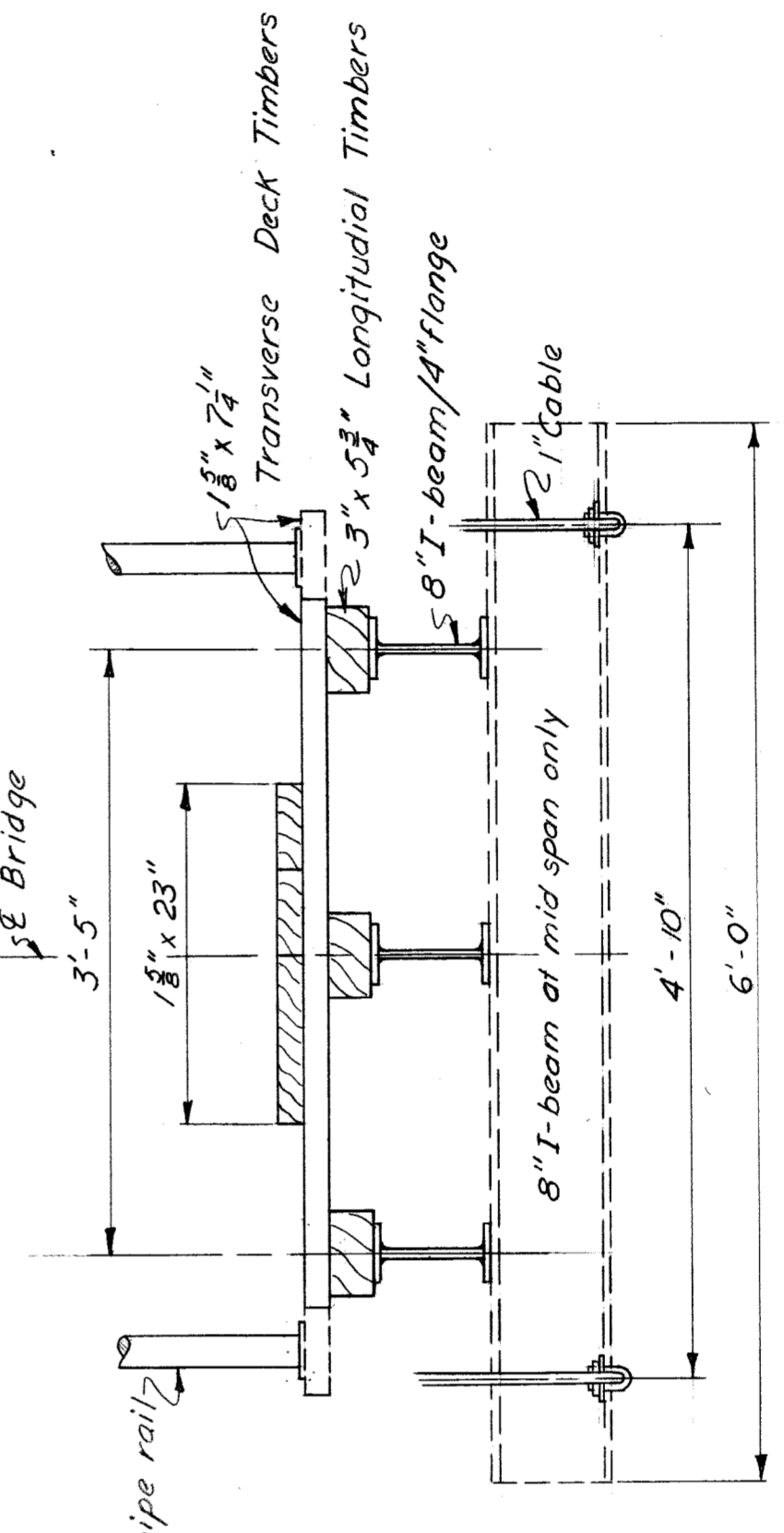
SPLICE PLATE DETAIL
SCALE $1'' = 1'-0''$



SECTION A-A
SCALE $\frac{3}{16}'' = 1'-0''$



DECK PLAN
SCALE $1'' = 1'-0''$

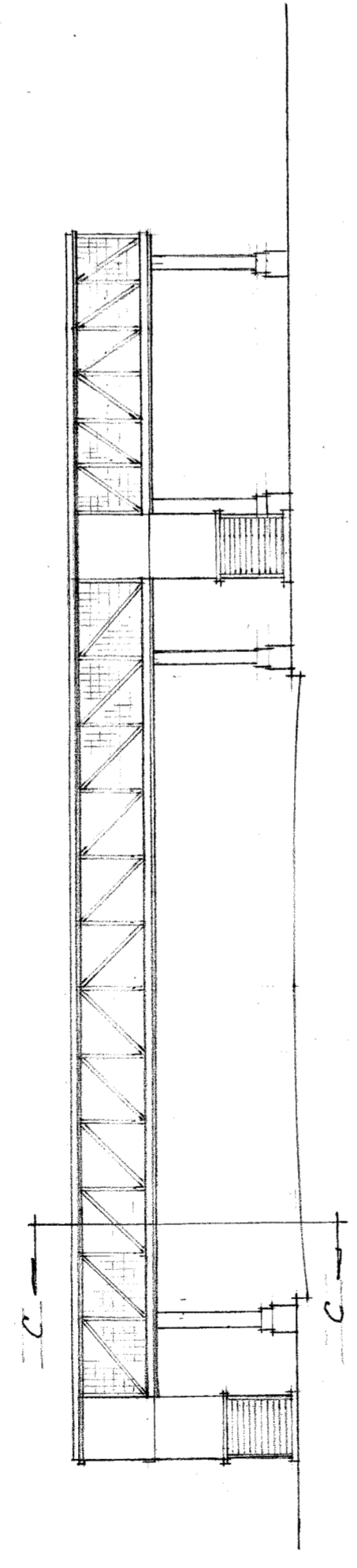


SECTION B-B
SCALE $1'' = 1'-0''$

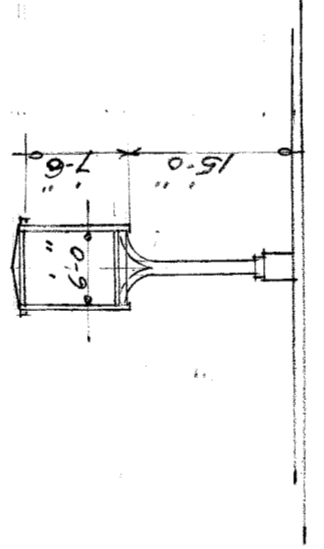
GENERAL NOTES:

All dimensions shown were obtained by field measurement. Where the sections could not be identified accurately, close approximations have been made.

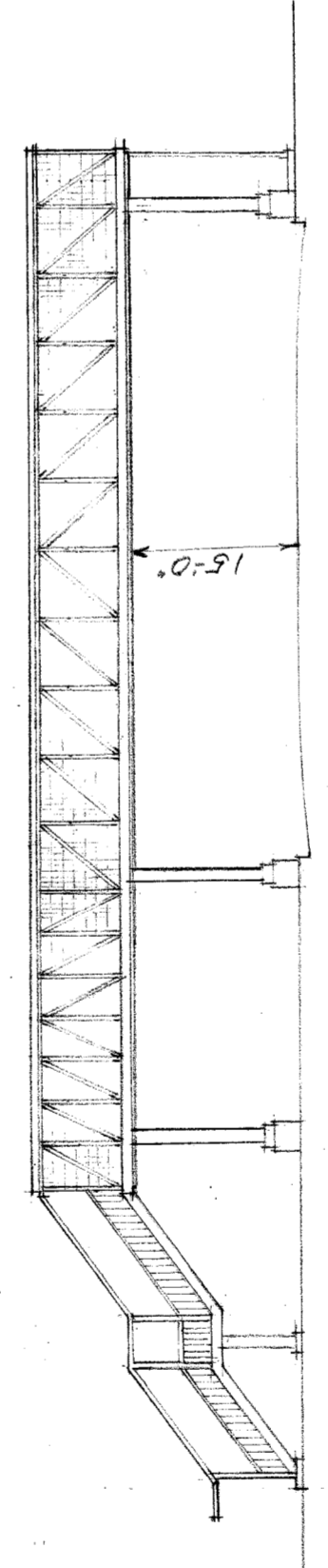
<p>CITY OF DETROIT DEPARTMENT OF PUBLIC WORKS HIGHWAY & EXPRESSWAY DIVISION BRIDGE MAINTENANCE</p>		<p>ROUSE PARK GOLF COURSE BP 1 - PEDESTRIAN BRIDGE OVER ROUSE RIVER</p>		<p>SHEET OF SHEETS</p>
<p>APPROVED:</p>		<p>EXISTING BRIDGE DETAILS</p>		<p>JOB No. M-BP 1</p>
<p>DESIGNED BY R. HARRIS</p>	<p>TRACED BY J. COVERT</p>	<p>REVISIONS LOCATED BY COORDINATES ON SHEET</p>		<p>DRWG No. C-1</p>
<p>DATE</p>	<p>DATE</p>	<p>REVISIONS LOCATED BY COORDINATES ON SHEET</p>		<p>DATE 8-23-57</p>



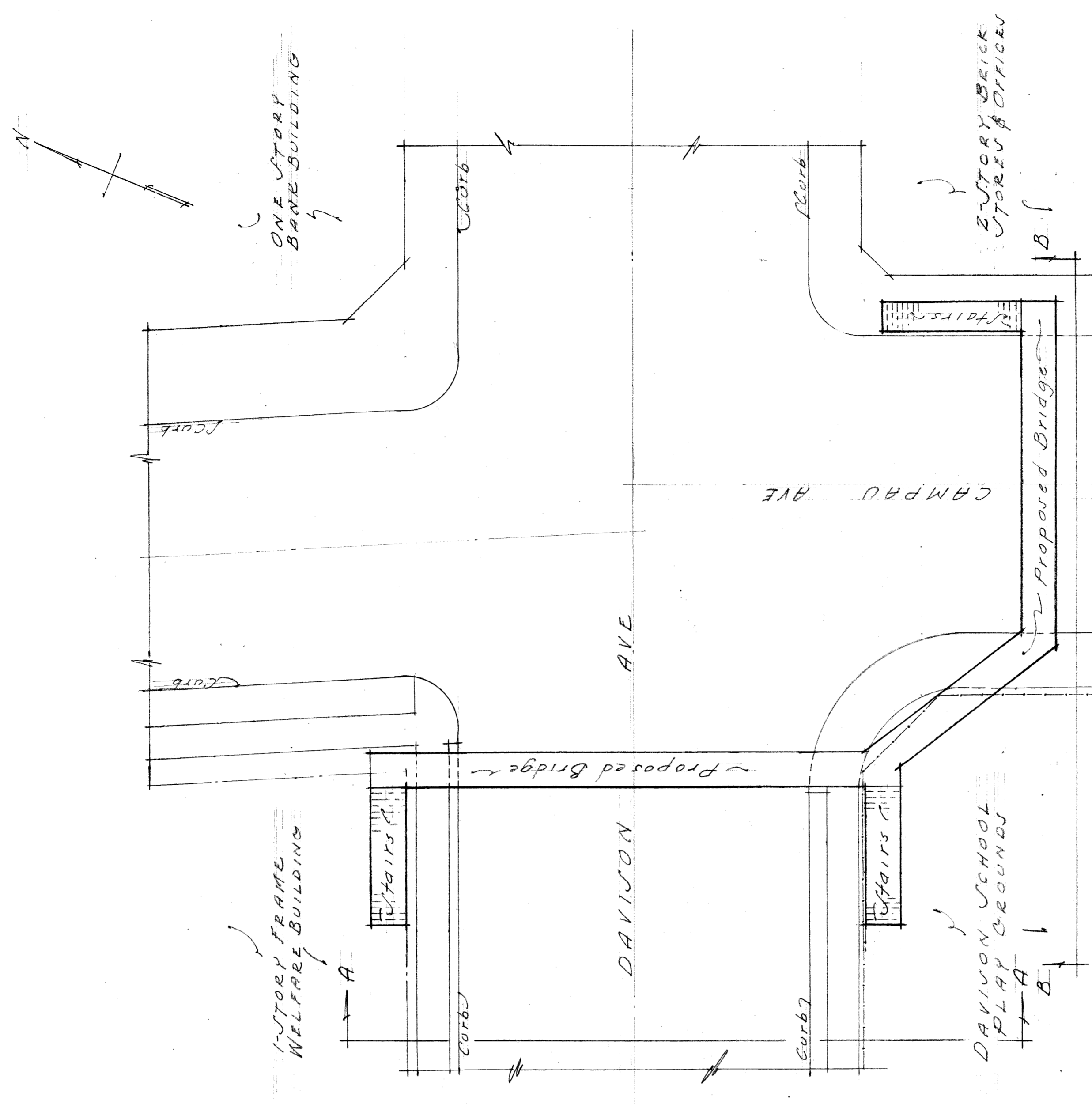
ELEVATION A-A
DAVISON AVE BRIDGE LOOKING EAST
Scale 1/8" = 1'-0"



SECTION C-C
Scale 1/8" = 1'-0"



ELEVATION B-B
JOS CAMPAU AVE BRIDGE LOOKING NORTH
Scale 1/8" = 1'-0"



Note: Estimated cost \$50000

PLAN OF INTERSECTION OF
DAVISON AVE & JOS CAMPAU AVE
SHOWING PROPOSED BRIDGES
Scale 1/8" = 1'-0"

CITY OF DETROIT
DEPARTMENT OF PUBLIC WORKS
CITY ENGINEERS OFFICE
BUREAU OF PUBLIC STRUCTURES
PROPOSED PEDESTRIAN BRIDGE
DAVISON AND JOS CAMPAU
DRAWN BY [unclear] 1936
SHEET 1 of 3 SHEET