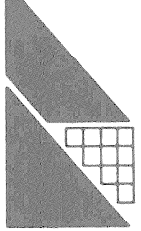
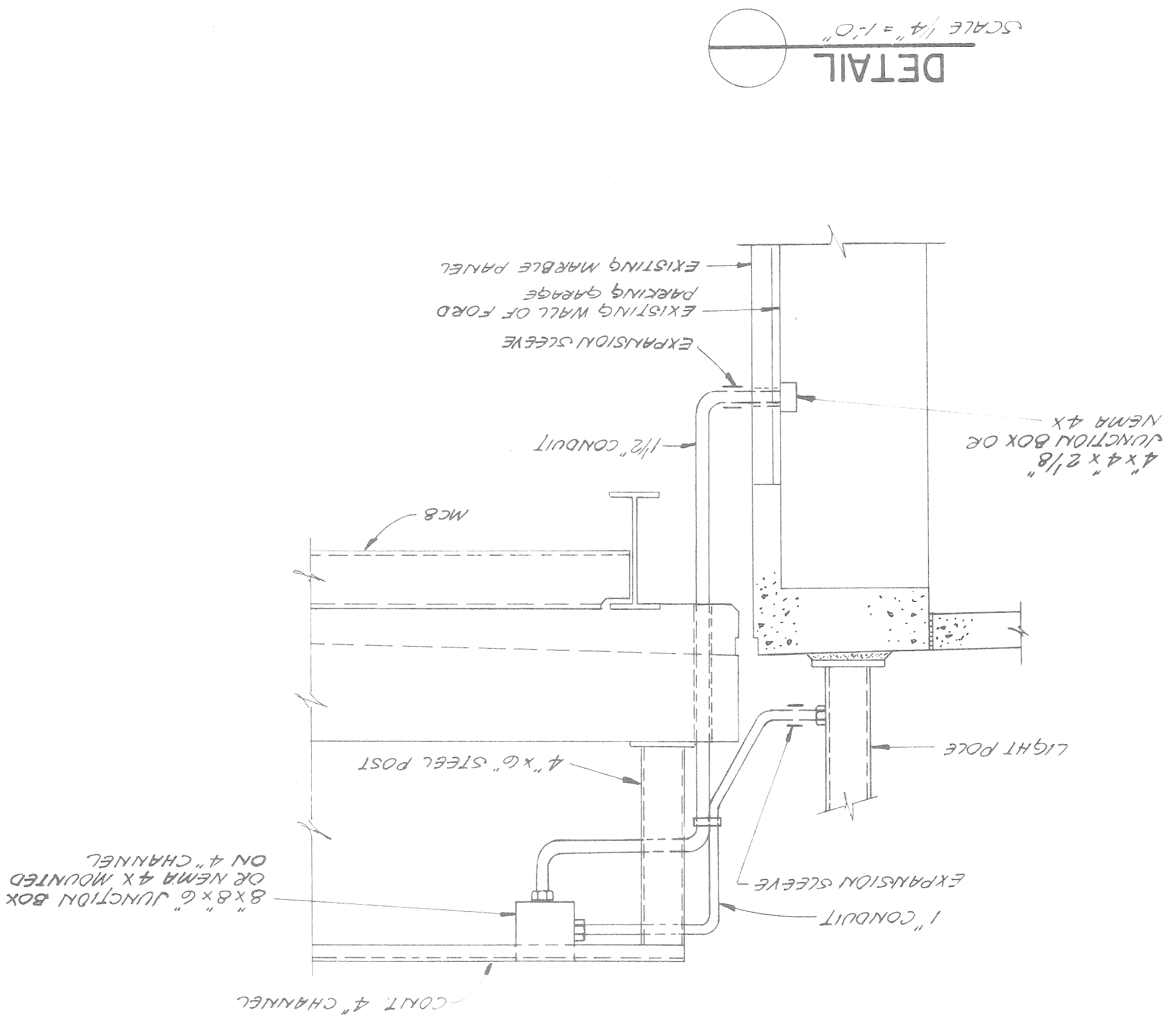
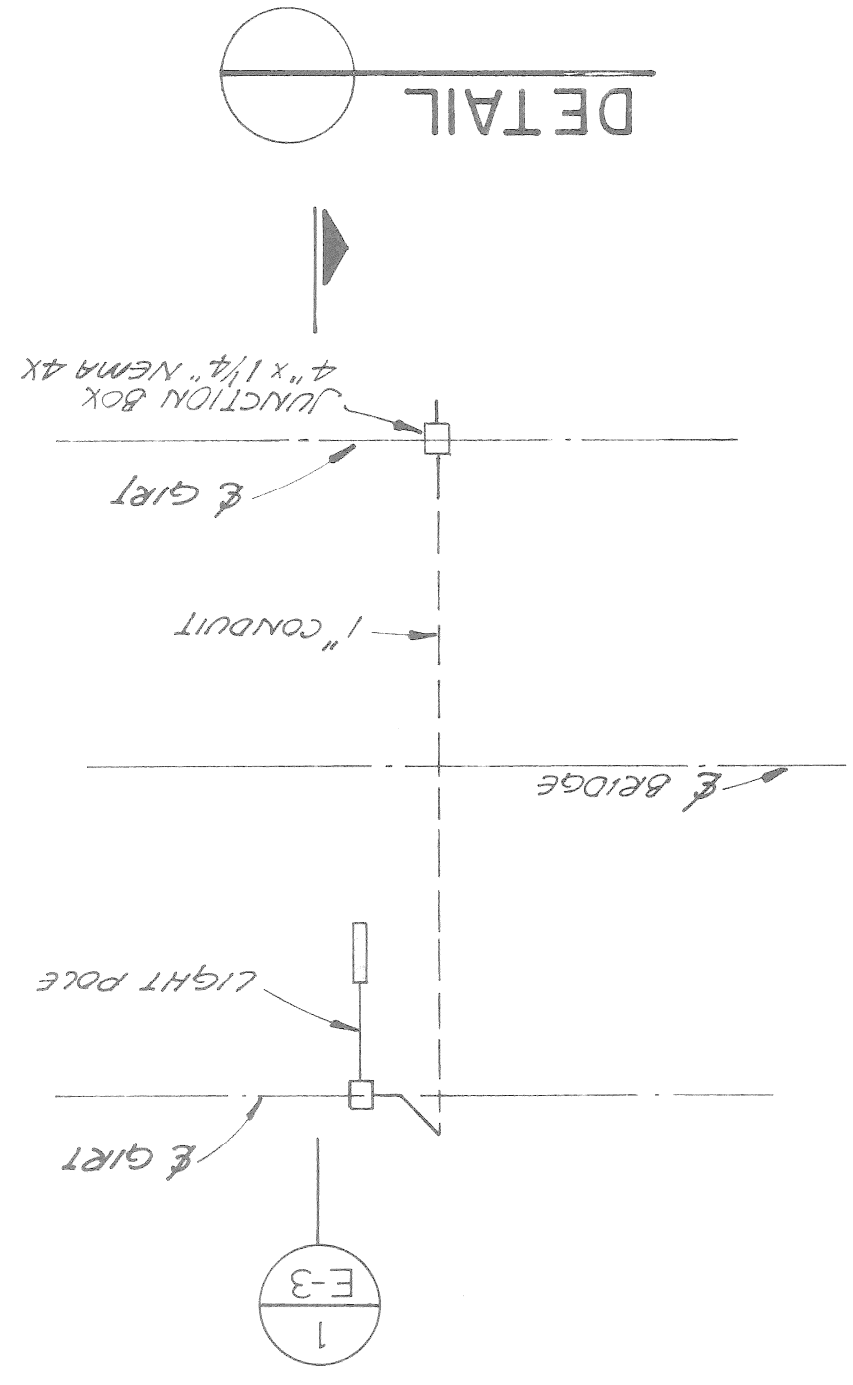
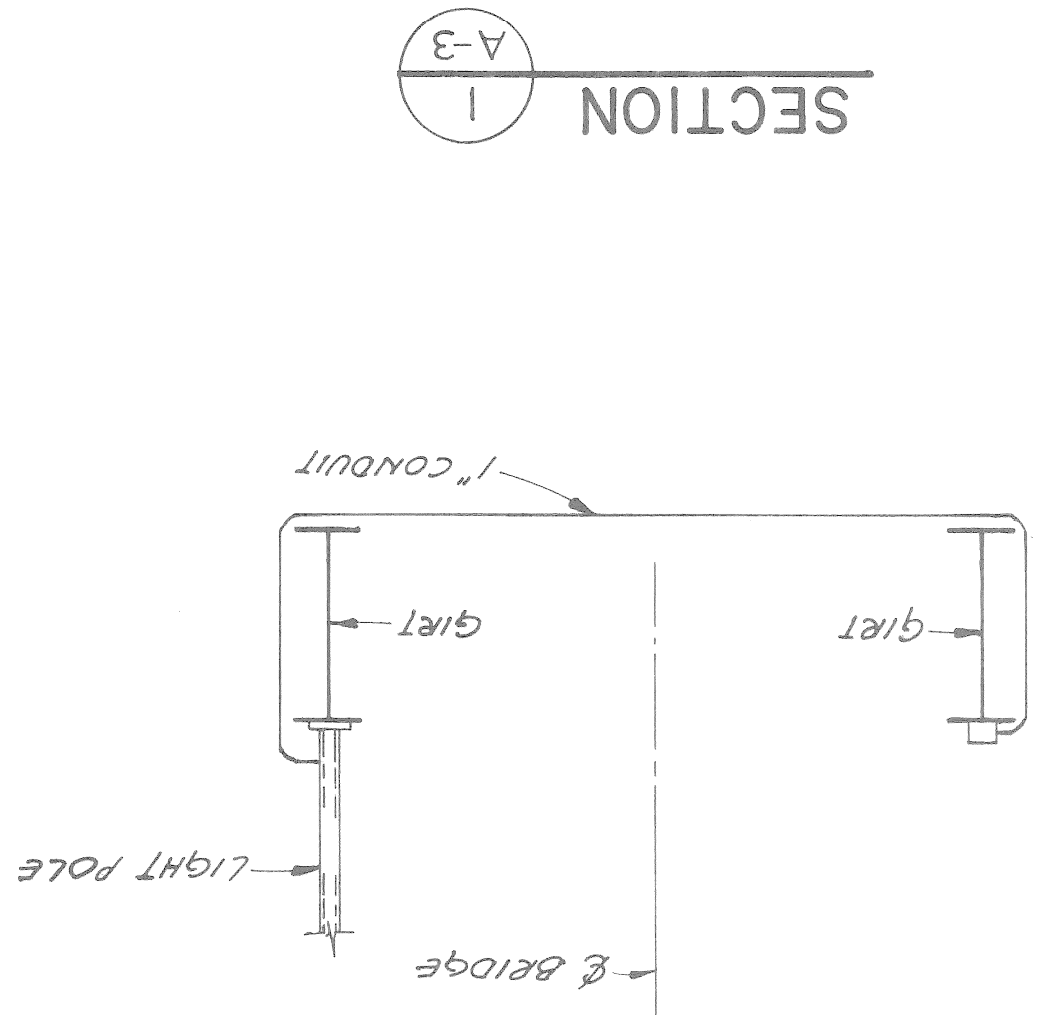
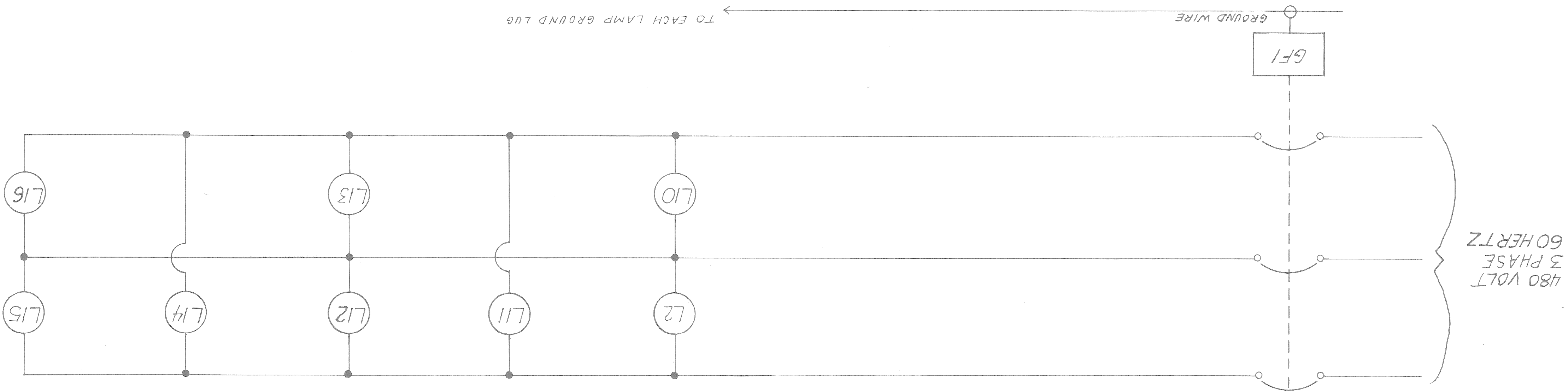
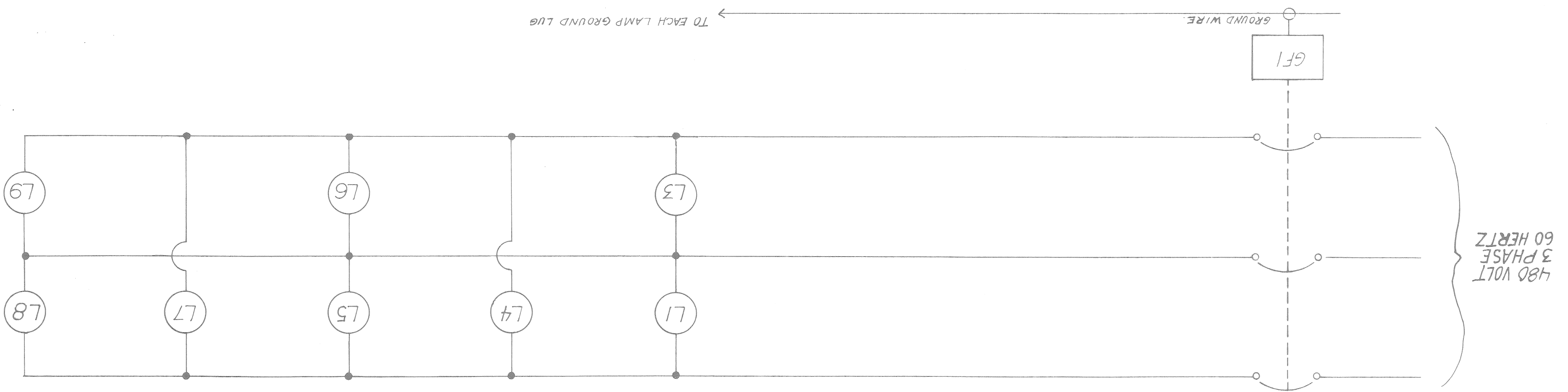


E-3 SHEET NO.		8612 PROJECT NO.		DATE		CHECKED BY		DRAWN BY C.J.B.		DESIGN BY D.E. KECK	
 MADISON INTERNATIONAL OF MICHIGAN Engineers, Architects, Planners 1420 Washington Blvd. Detroit, Michigan 48226		Project		Sheet Title		Project		Sheet Title		Project	
		RANDOLPH STREET PEDESTRIAN BRIDGE		DETAILS		RANDOLPH STREET PEDESTRIAN BRIDGE		DETAILS		RANDOLPH STREET PEDESTRIAN BRIDGE	





CIRCUIT BREAKER B



CIRCUIT BREAKER A

NOTES: GFI = GROUND FAULT INTERRUPT
L1,L2, etc. = LAMP1, LAMP2, etc.

E-4
SHEET NO.
8612
PROJECT NO.
DATE
CHECKED BY
GNK
DRAWN BY
D. E. KECK
DESIGN BY

MADISON MADISON
INTERNATIONAL OF MICHIGAN
Engineers, Architects, Planners
1420 Washington Blvd.
Detroit, Michigan 48226

Project	RANDOLPH STREET PEDESTRIAN OVERPASS
Sheet Title	ELECTRICAL WIRING DIAGRAM
