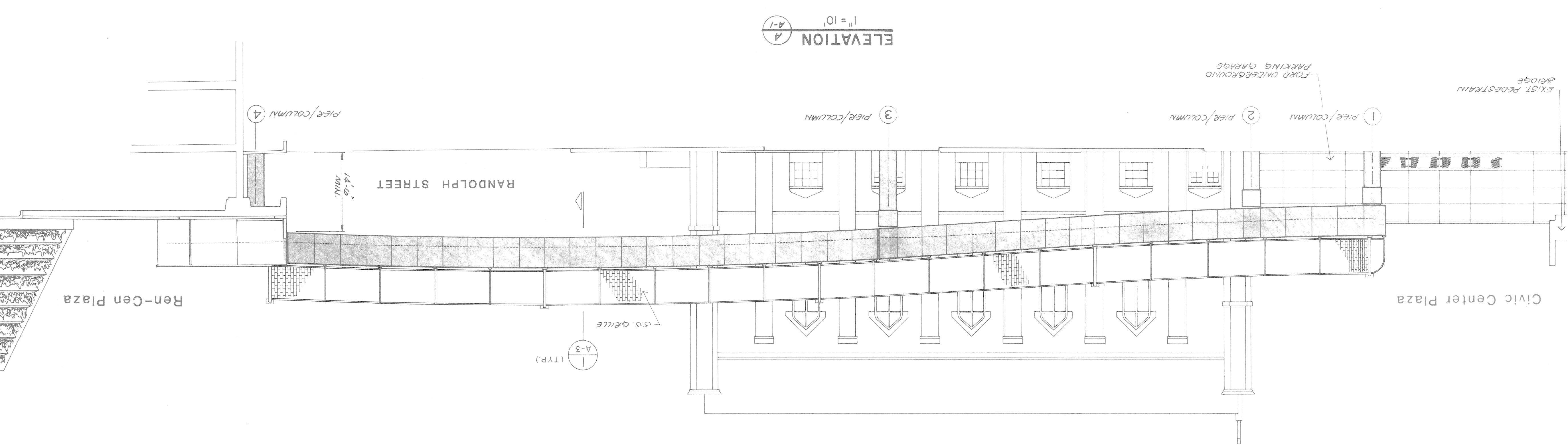
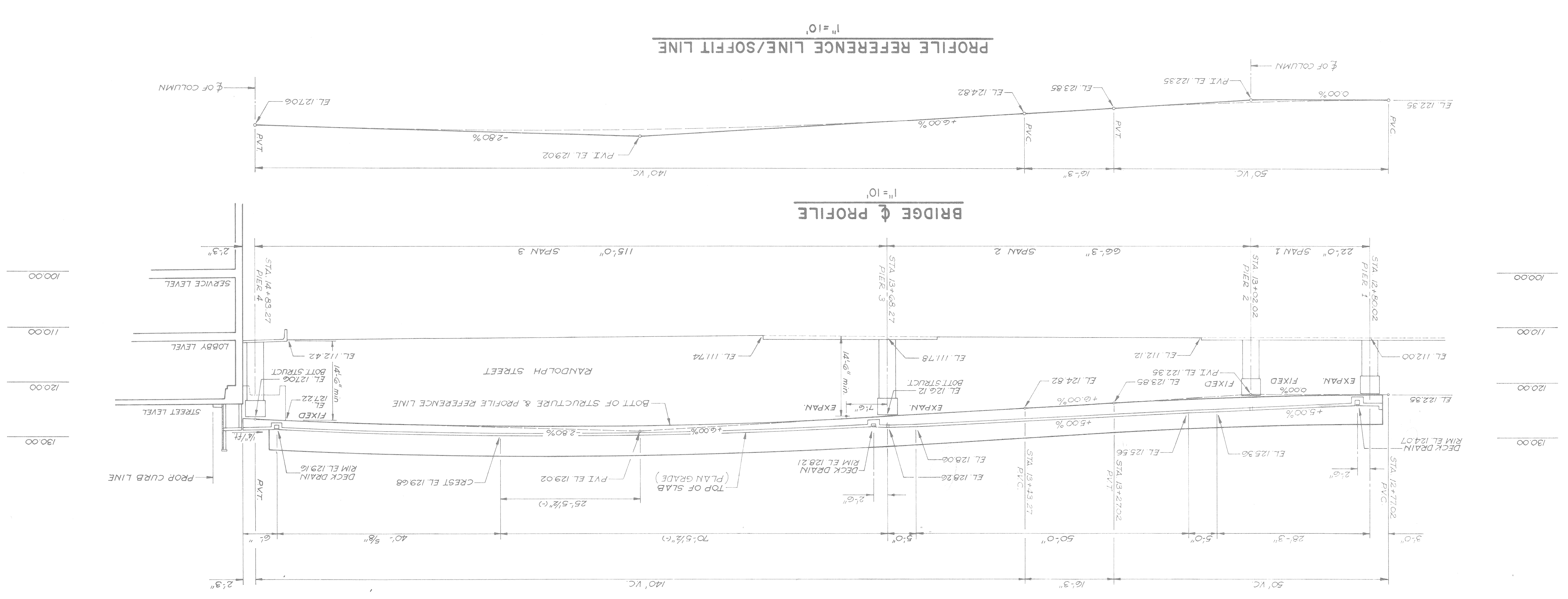


PLAN
1" = 10'

LEGEND
 Proposed Elevation
 Existing Elevation

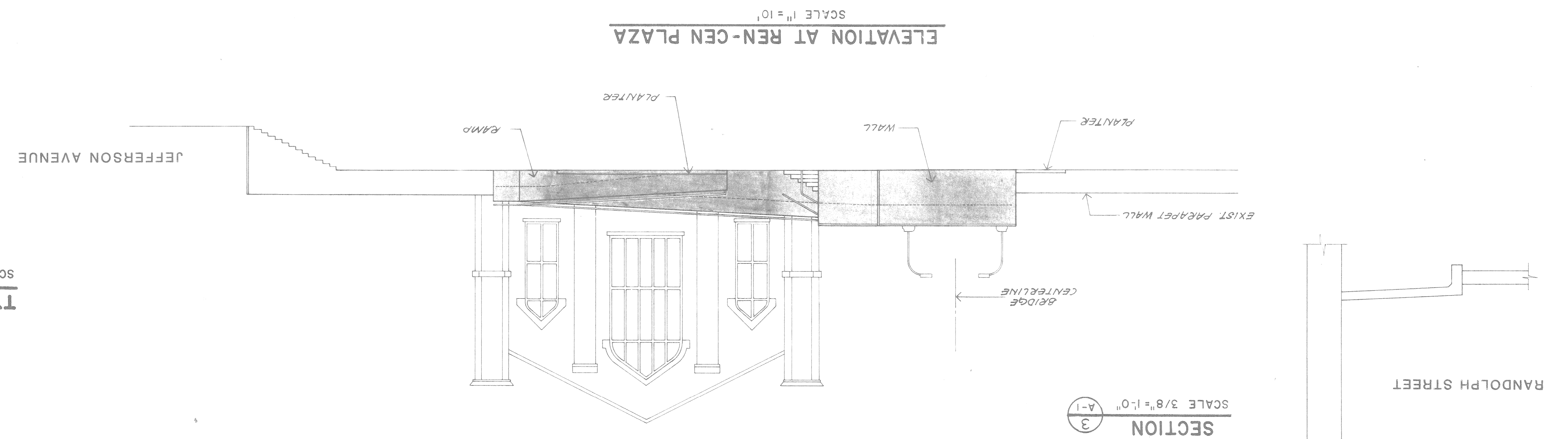
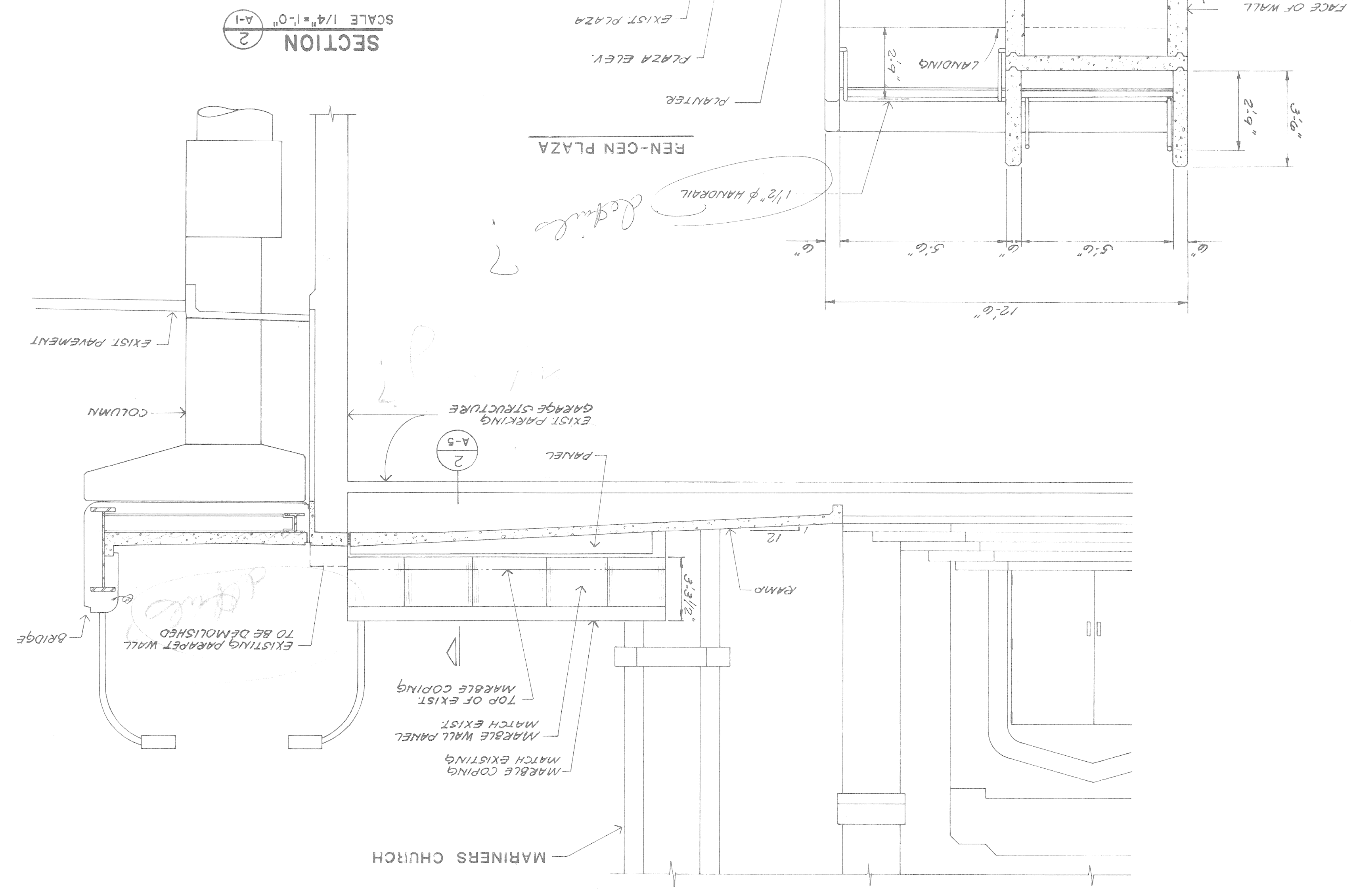
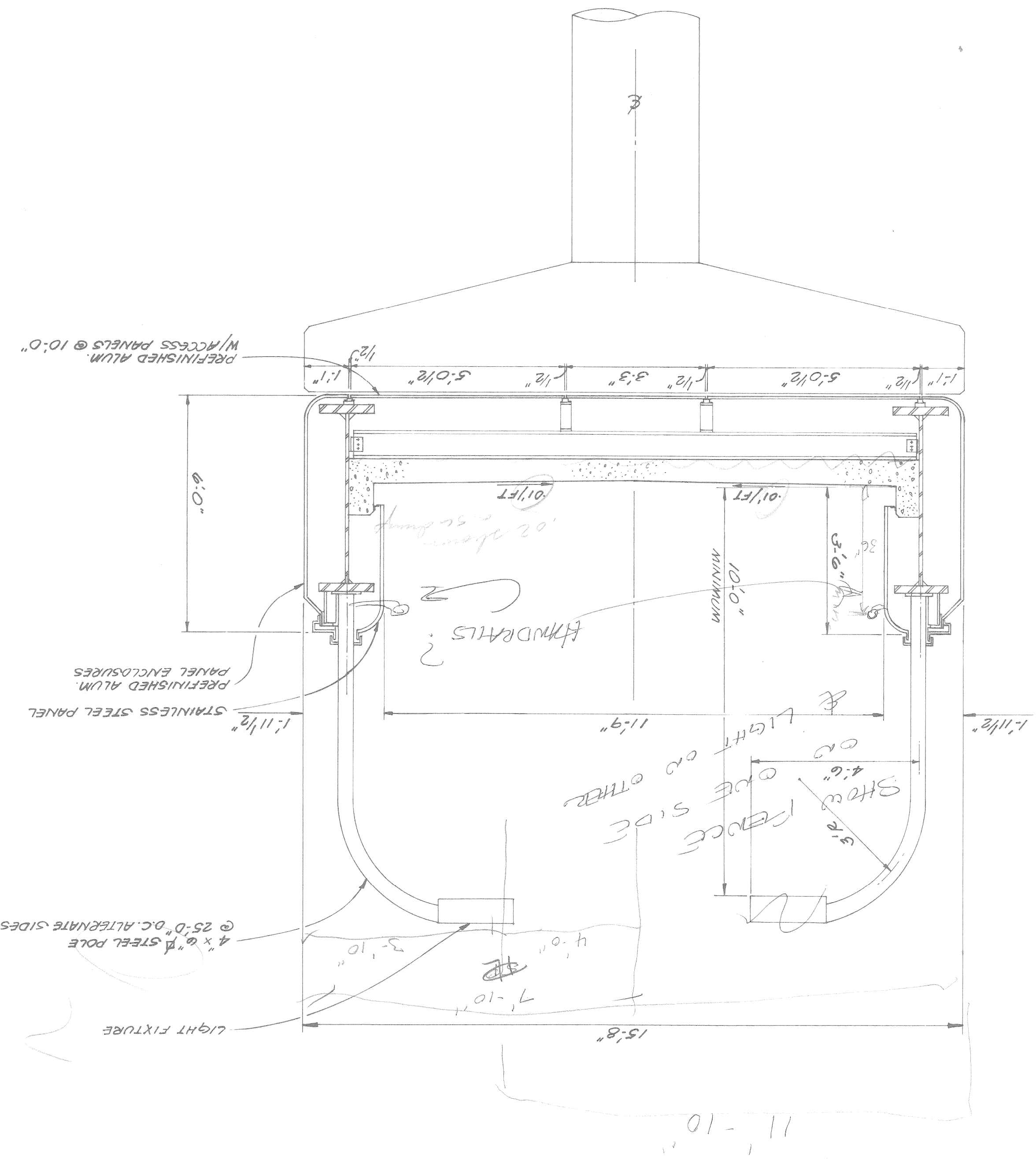


SHEET NO.	A-2
PROJECT NO.	8612
DATE	
CHECKED BY	RJC/dlm
DRAWN BY	KCH/ROA
DESIGN BY	KCH/ROA

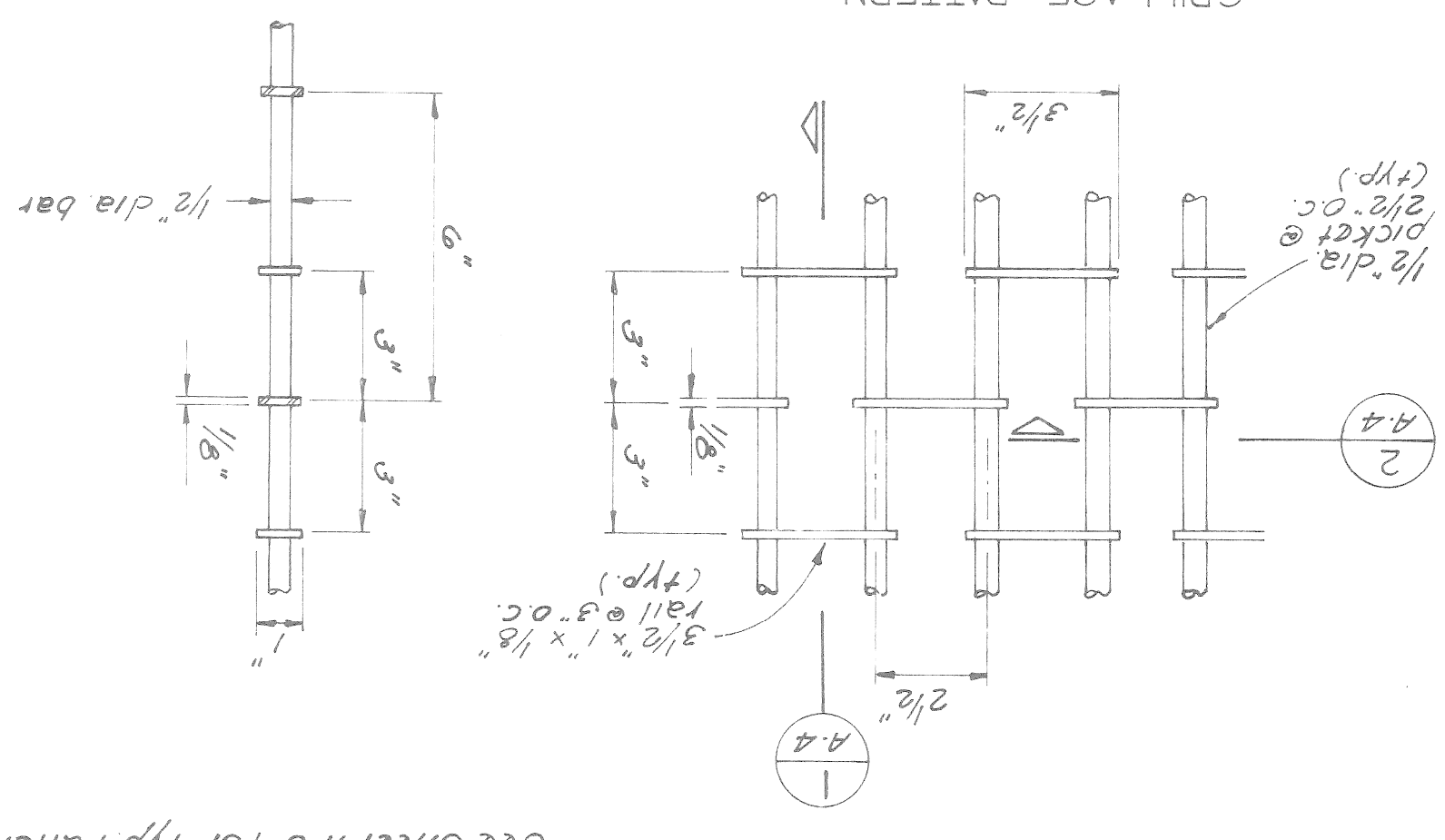
MADISON MADISON
INTERNATIONAL OF MICHIGAN
Engineers, Architects, Planners
Detroit, Michigan 48226

Project
RANDOLPH STREET PEDESTRIAN BRIDGE
Sheet Title
GENERAL PROFILE OF STRUCTURE AND ELEVATION

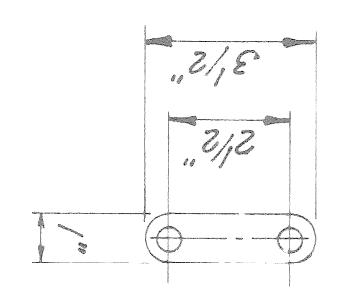
TYPICAL CROSS-SECTION
 SCALE: 1/2" = 1'-0"
 A-1 A-2



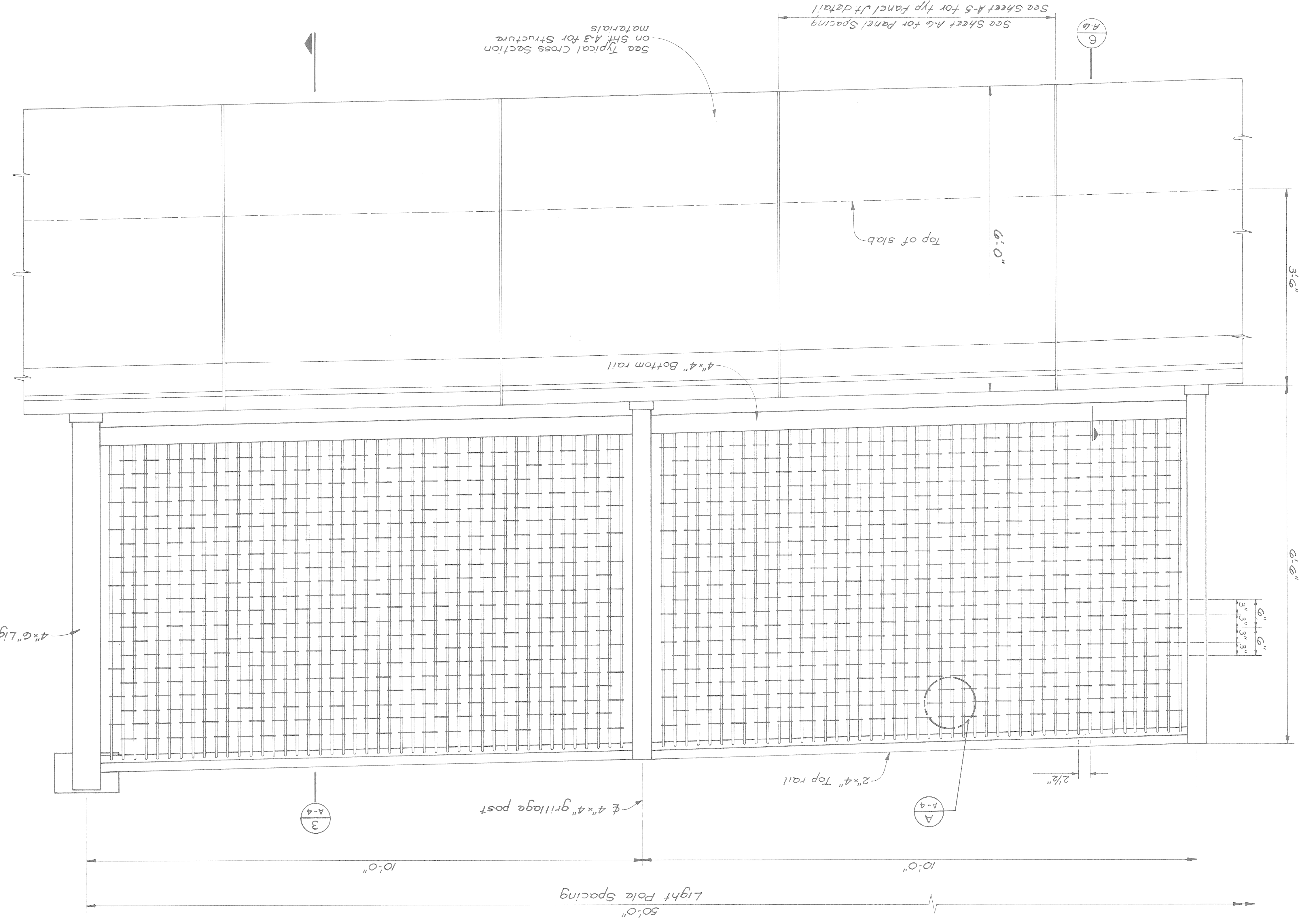
DETAIL A
 3" = 1'-0"
 A-4
 GRILLAGE PATTERN



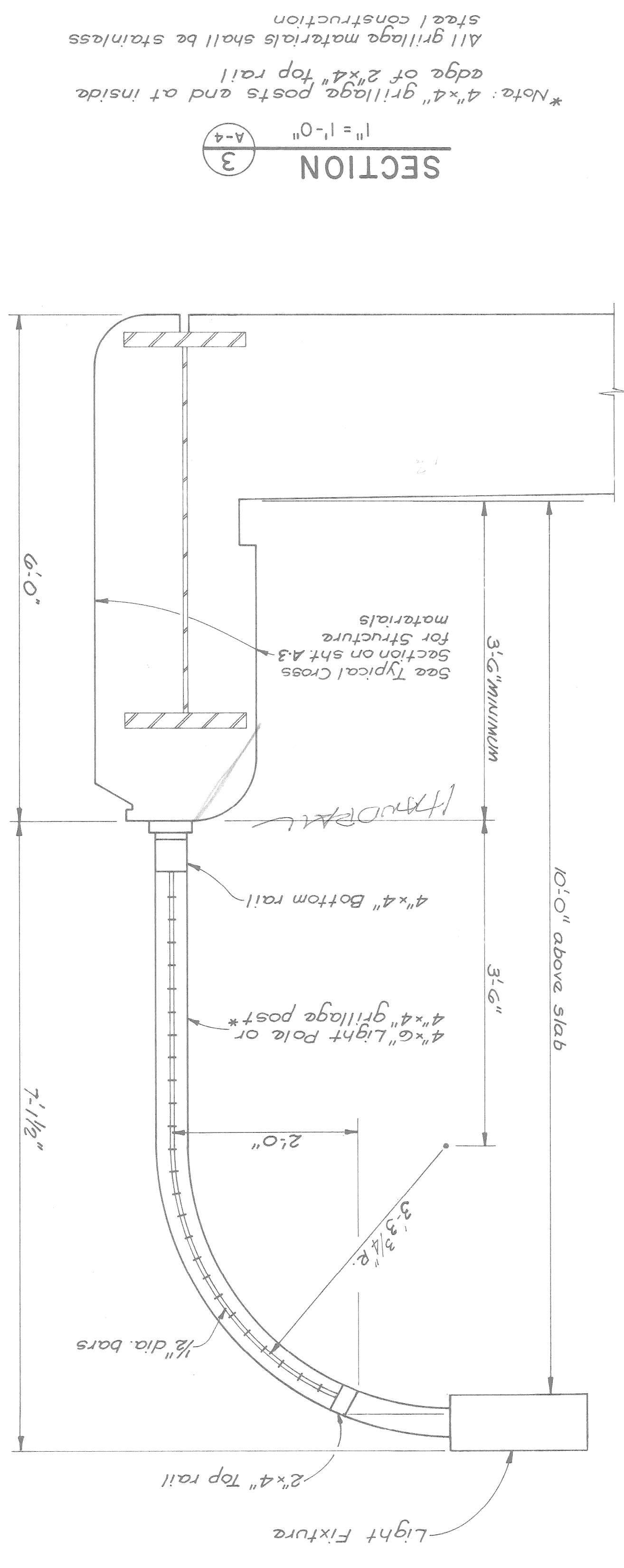
SECTION 2
 3" = 1'-0"
 A-4



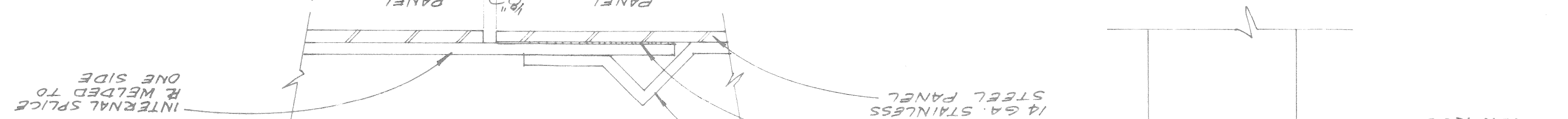
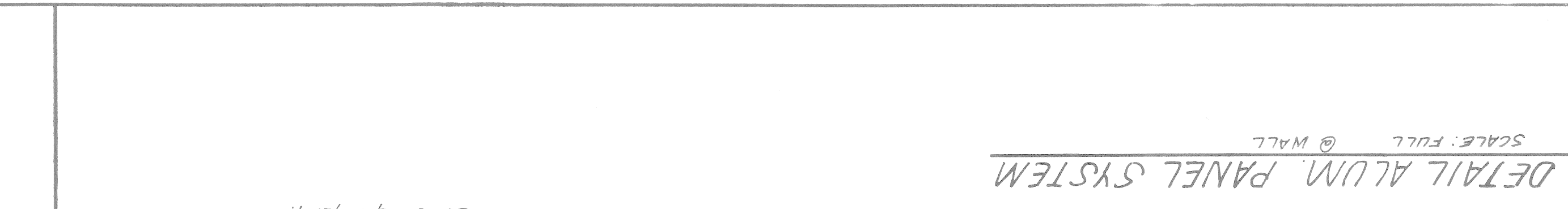
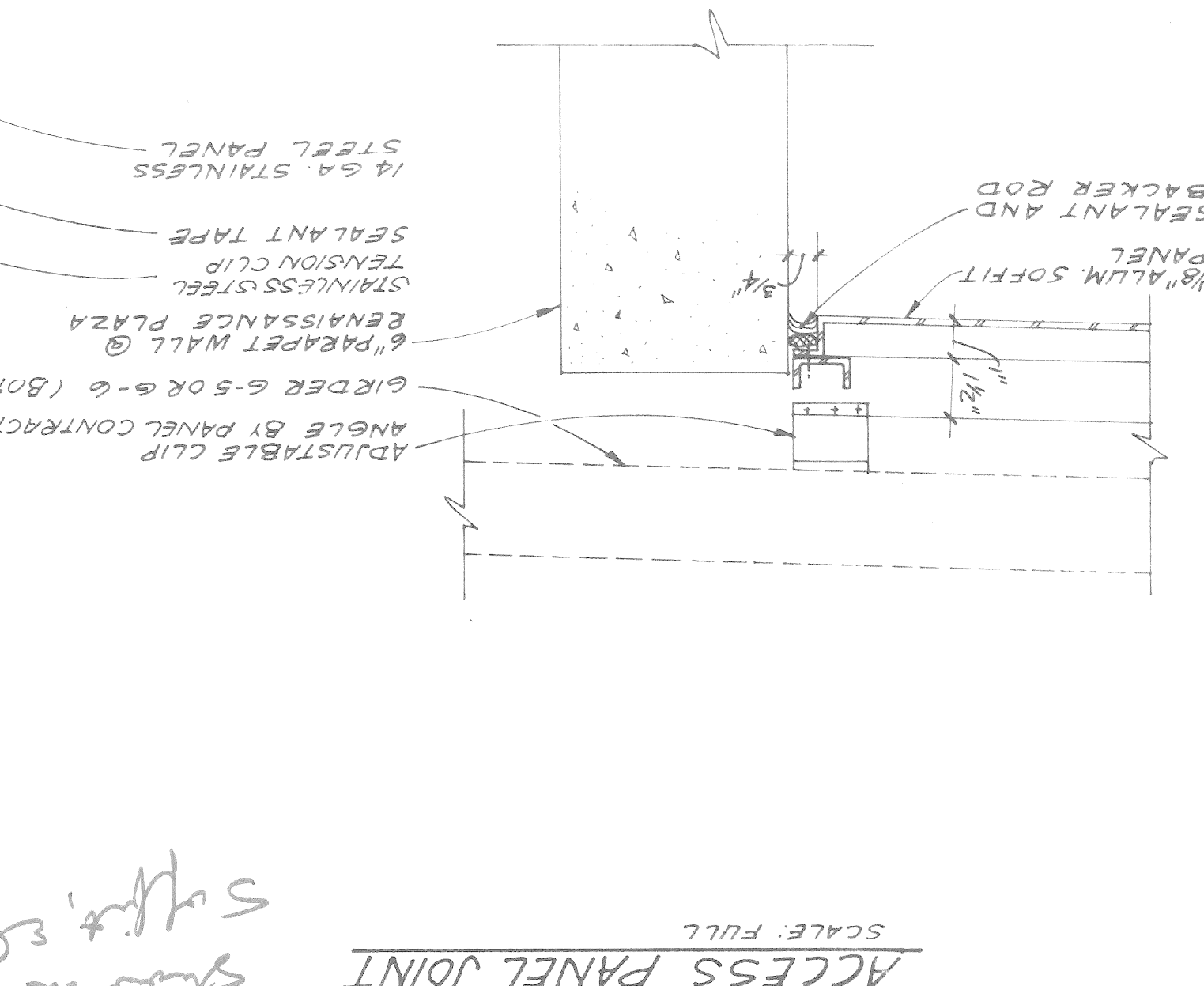
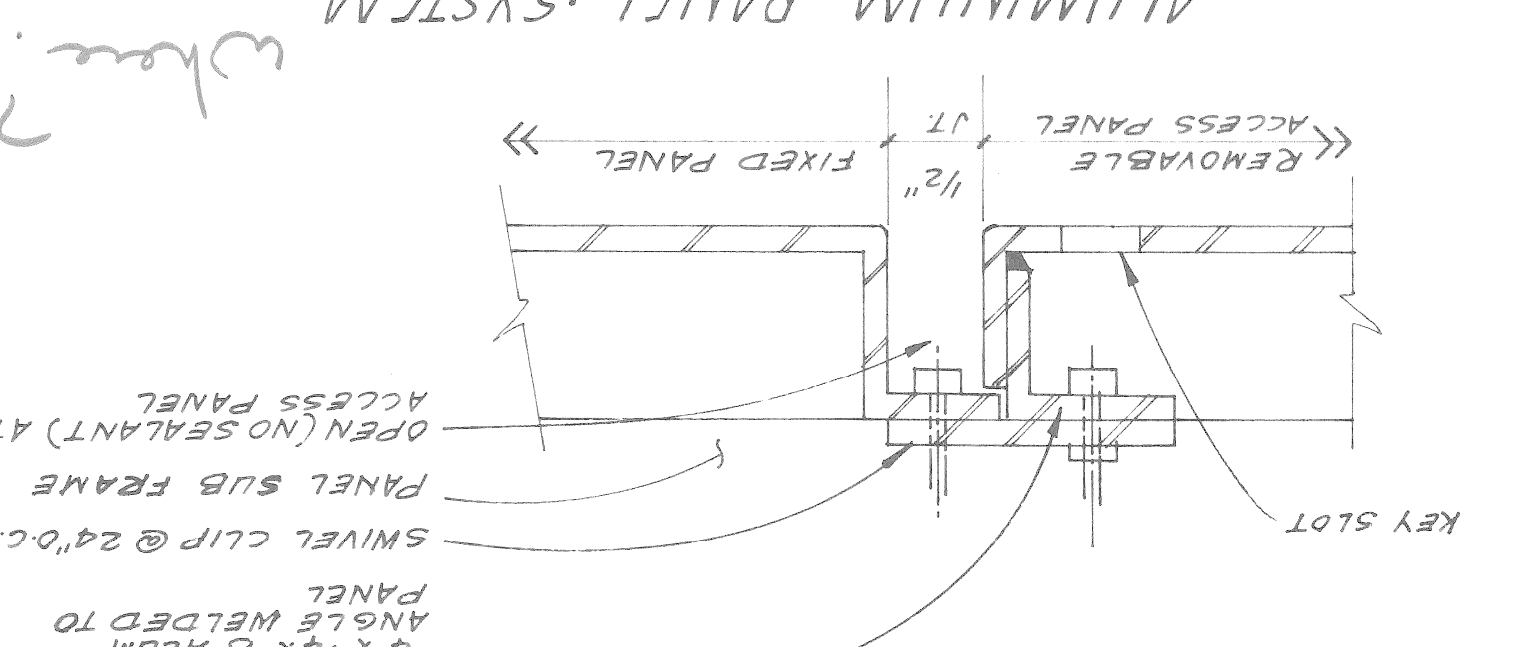
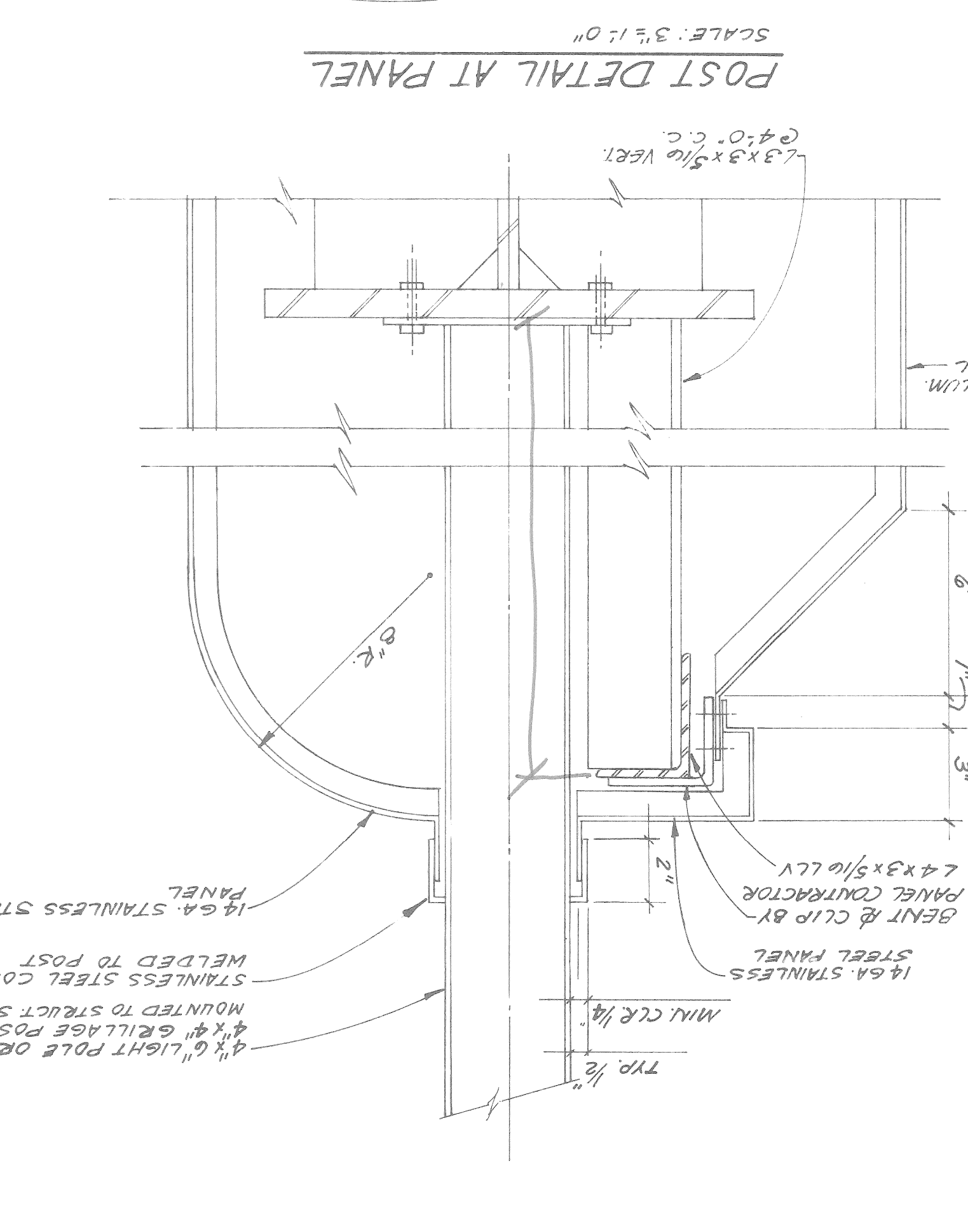
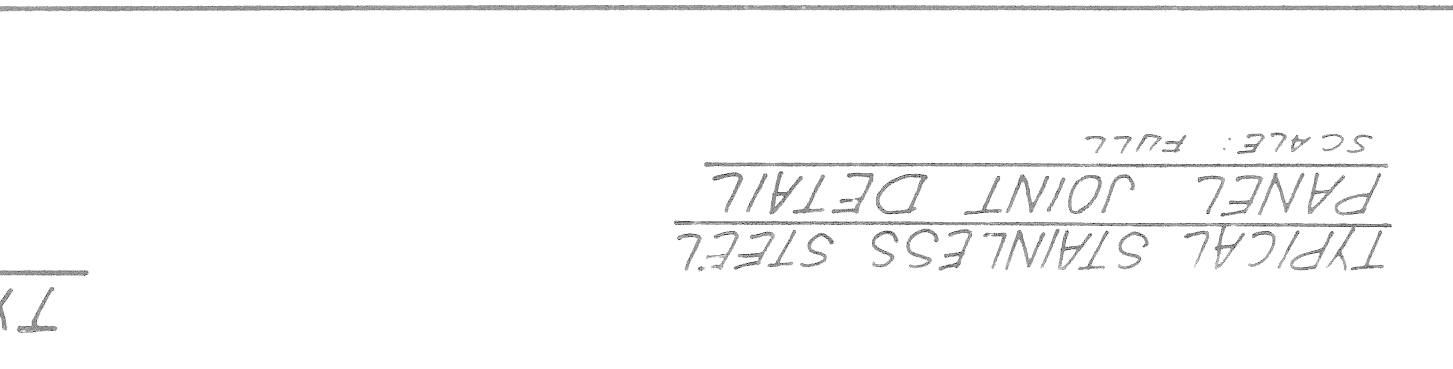
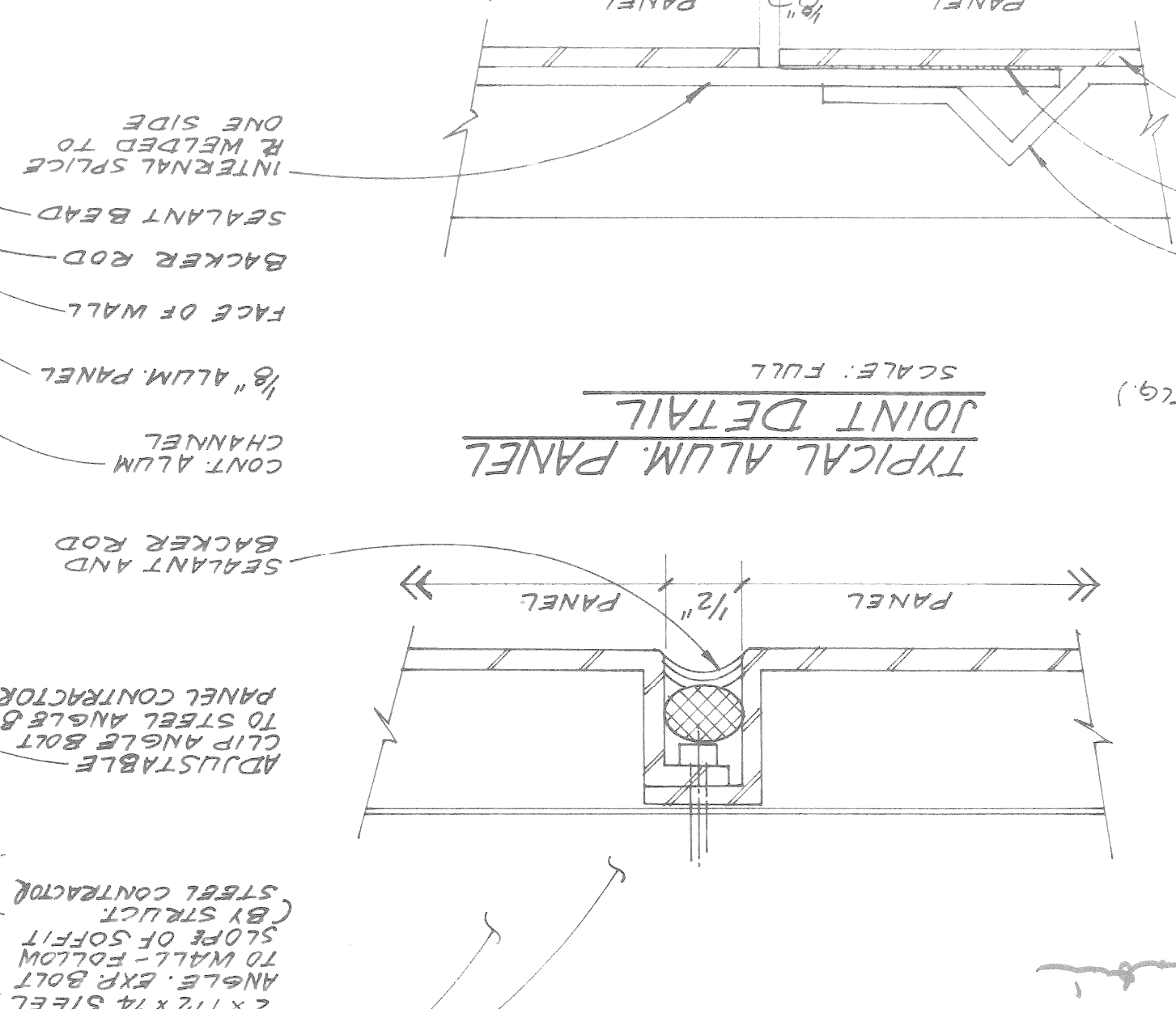
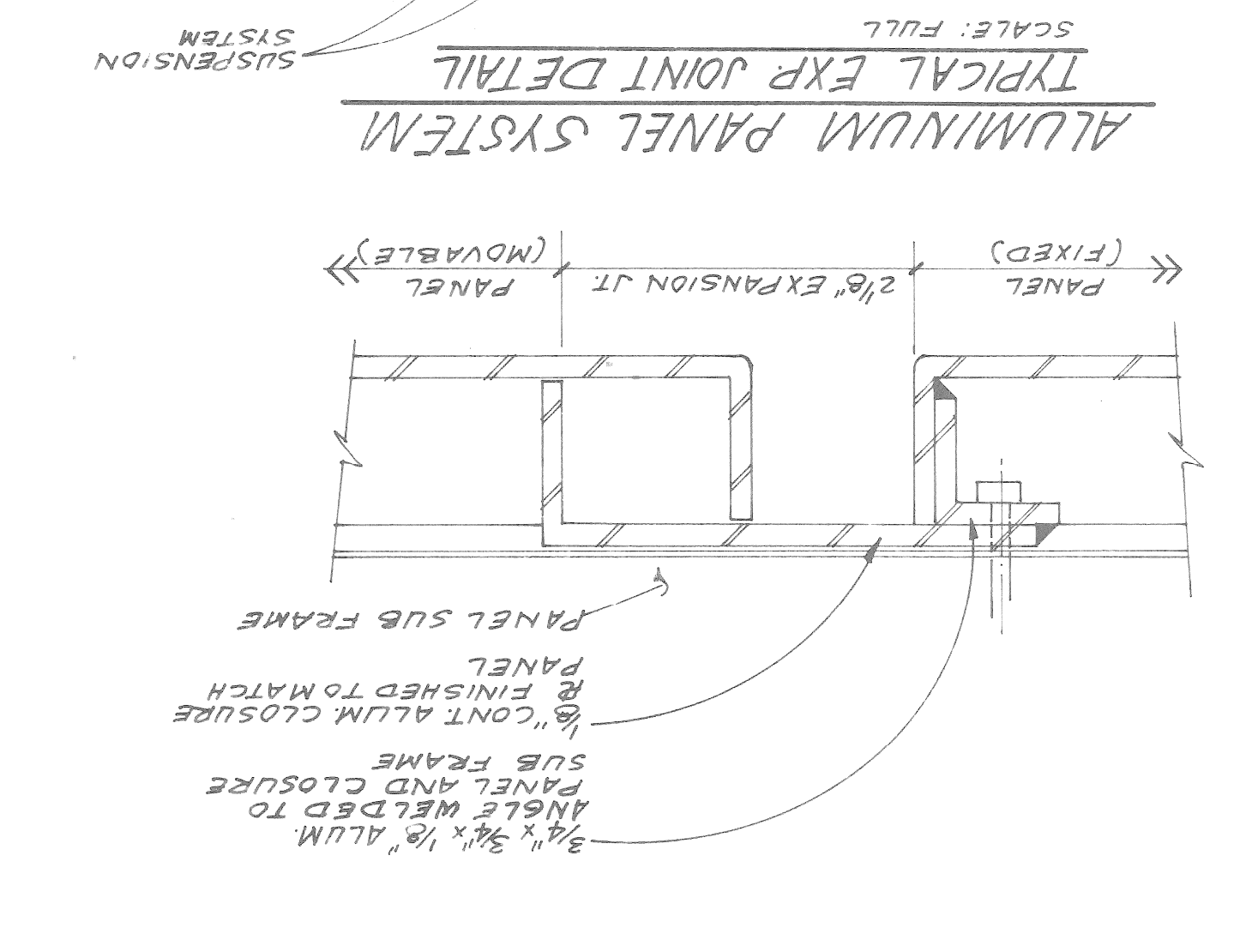
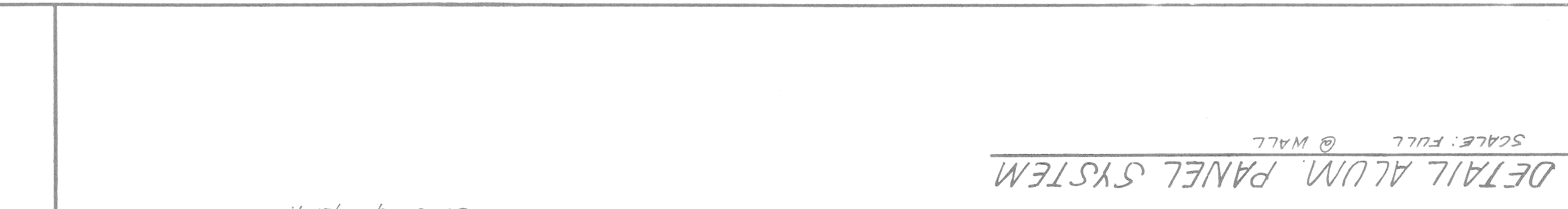
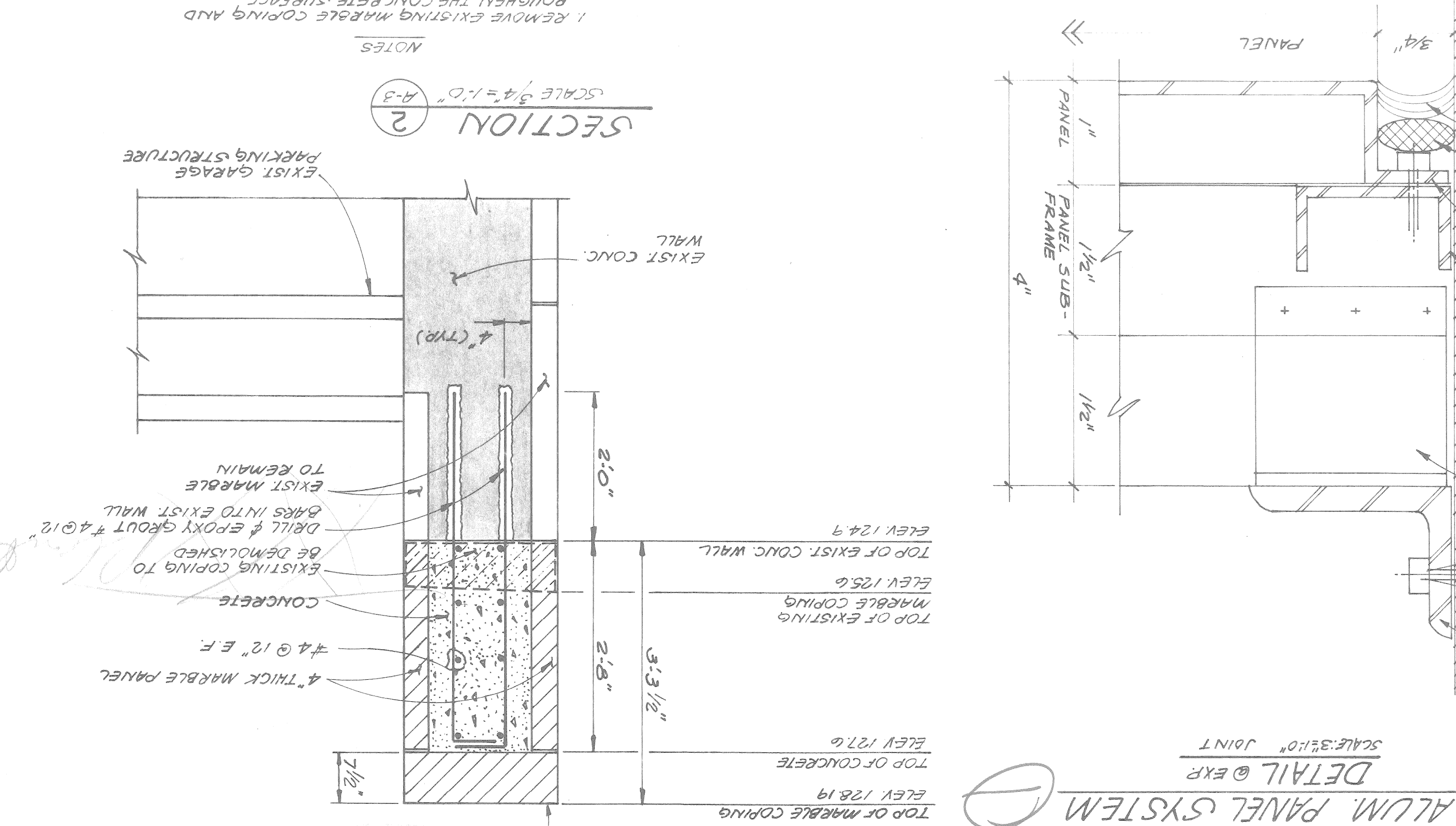
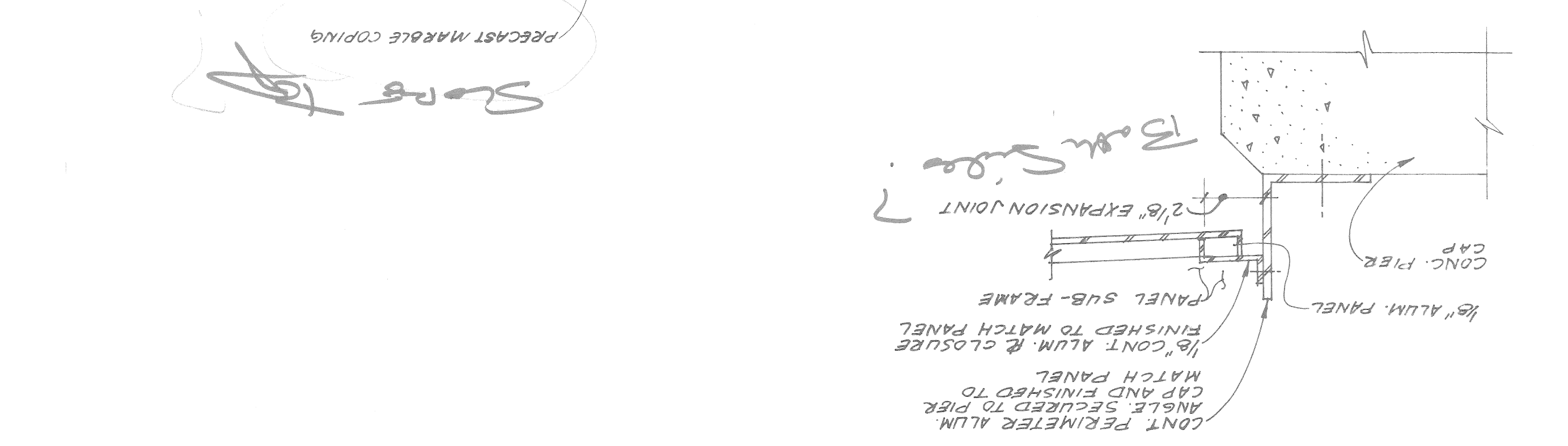
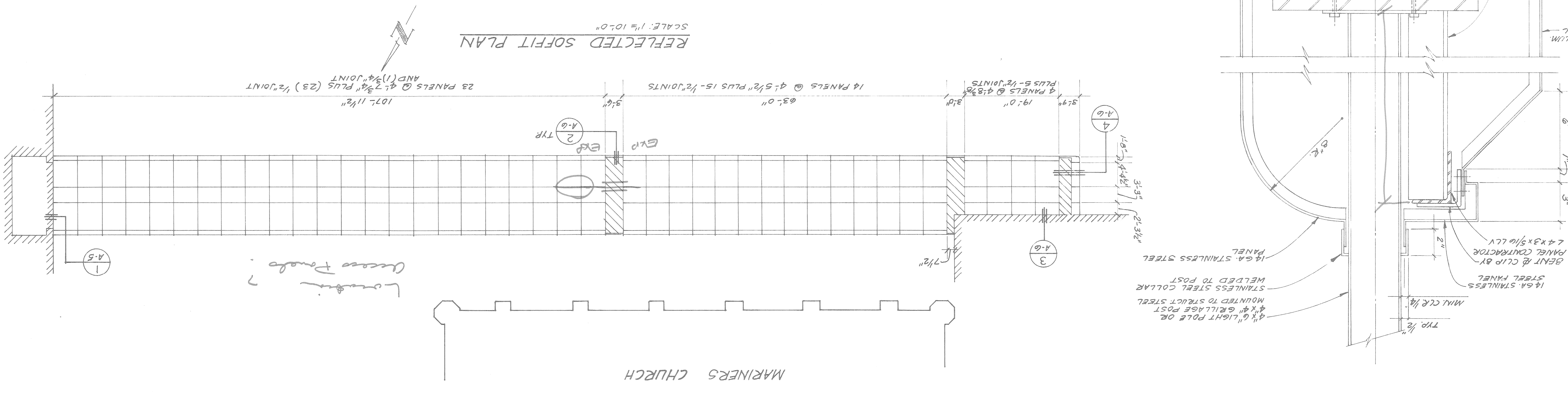
TYPICAL PARTIAL ELEVATION
 1" = 1'-0"



SECTION 3
 1" = 1'-0"
 A-4



*Note: 4"x4" grillage posts and at inside edge of 2"x4" top rail
 All grillage materials shall be stainless steel construction



1. REMOVE EXISTING MARBLE COPING AND ROUGHEN THE CONCRETE SURFACE.
 2. APPLY EPOXY BONDING AGENT.

1. REMOVE EXISTING MARBLE COPING AND ROUGHEN THE CONCRETE SURFACE.
 2. APPLY EPOXY BONDING AGENT.

1. REMOVE EXISTING MARBLE COPING AND ROUGHEN THE CONCRETE SURFACE.
 2. APPLY EPOXY BONDING AGENT.

1. REMOVE EXISTING MARBLE COPING AND ROUGHEN THE CONCRETE SURFACE.
 2. APPLY EPOXY BONDING AGENT.

1. REMOVE EXISTING MARBLE COPING AND ROUGHEN THE CONCRETE SURFACE.
 2. APPLY EPOXY BONDING AGENT.

1. REMOVE EXISTING MARBLE COPING AND ROUGHEN THE CONCRETE SURFACE.
 2. APPLY EPOXY BONDING AGENT.

1. REMOVE EXISTING MARBLE COPING AND ROUGHEN THE CONCRETE SURFACE.
 2. APPLY EPOXY BONDING AGENT.

1. REMOVE EXISTING MARBLE COPING AND ROUGHEN THE CONCRETE SURFACE.
 2. APPLY EPOXY BONDING AGENT.

1. REMOVE EXISTING MARBLE COPING AND ROUGHEN THE CONCRETE SURFACE.
 2. APPLY EPOXY BONDING AGENT.

1. REMOVE EXISTING MARBLE COPING AND ROUGHEN THE CONCRETE SURFACE.
 2. APPLY EPOXY BONDING AGENT.

1. REMOVE EXISTING MARBLE COPING AND ROUGHEN THE CONCRETE SURFACE.
 2. APPLY EPOXY BONDING AGENT.

1. REMOVE EXISTING MARBLE COPING AND ROUGHEN THE CONCRETE SURFACE.
 2. APPLY EPOXY BONDING AGENT.

1. REMOVE EXISTING MARBLE COPING AND ROUGHEN THE CONCRETE SURFACE.
 2. APPLY EPOXY BONDING AGENT.

1. REMOVE EXISTING MARBLE COPING AND ROUGHEN THE CONCRETE SURFACE.
 2. APPLY EPOXY BONDING AGENT.

1. REMOVE EXISTING MARBLE COPING AND ROUGHEN THE CONCRETE SURFACE.
 2. APPLY EPOXY BONDING AGENT.

1. REMOVE EXISTING MARBLE COPING AND ROUGHEN THE CONCRETE SURFACE.
 2. APPLY EPOXY BONDING AGENT.

1. REMOVE EXISTING MARBLE COPING AND ROUGHEN THE CONCRETE SURFACE.
 2. APPLY EPOXY BONDING AGENT.

1. REMOVE EXISTING MARBLE COPING AND ROUGHEN THE CONCRETE SURFACE.
 2. APPLY EPOXY BONDING AGENT.

1. REMOVE EXISTING MARBLE COPING AND ROUGHEN THE CONCRETE SURFACE.
 2. APPLY EPOXY BONDING AGENT.

1. REMOVE EXISTING MARBLE COPING AND ROUGHEN THE CONCRETE SURFACE.
 2. APPLY EPOXY BONDING AGENT.

1. REMOVE EXISTING MARBLE COPING AND ROUGHEN THE CONCRETE SURFACE.
 2. APPLY EPOXY BONDING AGENT.

1. REMOVE EXISTING MARBLE COPING AND ROUGHEN THE CONCRETE SURFACE.
 2. APPLY EPOXY BONDING AGENT.

1. REMOVE EXISTING MARBLE COPING AND ROUGHEN THE CONCRETE SURFACE.
 2. APPLY EPOXY BONDING AGENT.

1. REMOVE EXISTING MARBLE COPING AND ROUGHEN THE CONCRETE SURFACE.
 2. APPLY EPOXY BONDING AGENT.

1. REMOVE EXISTING MARBLE COPING AND ROUGHEN THE CONCRETE SURFACE.
 2. APPLY EPOXY BONDING AGENT.

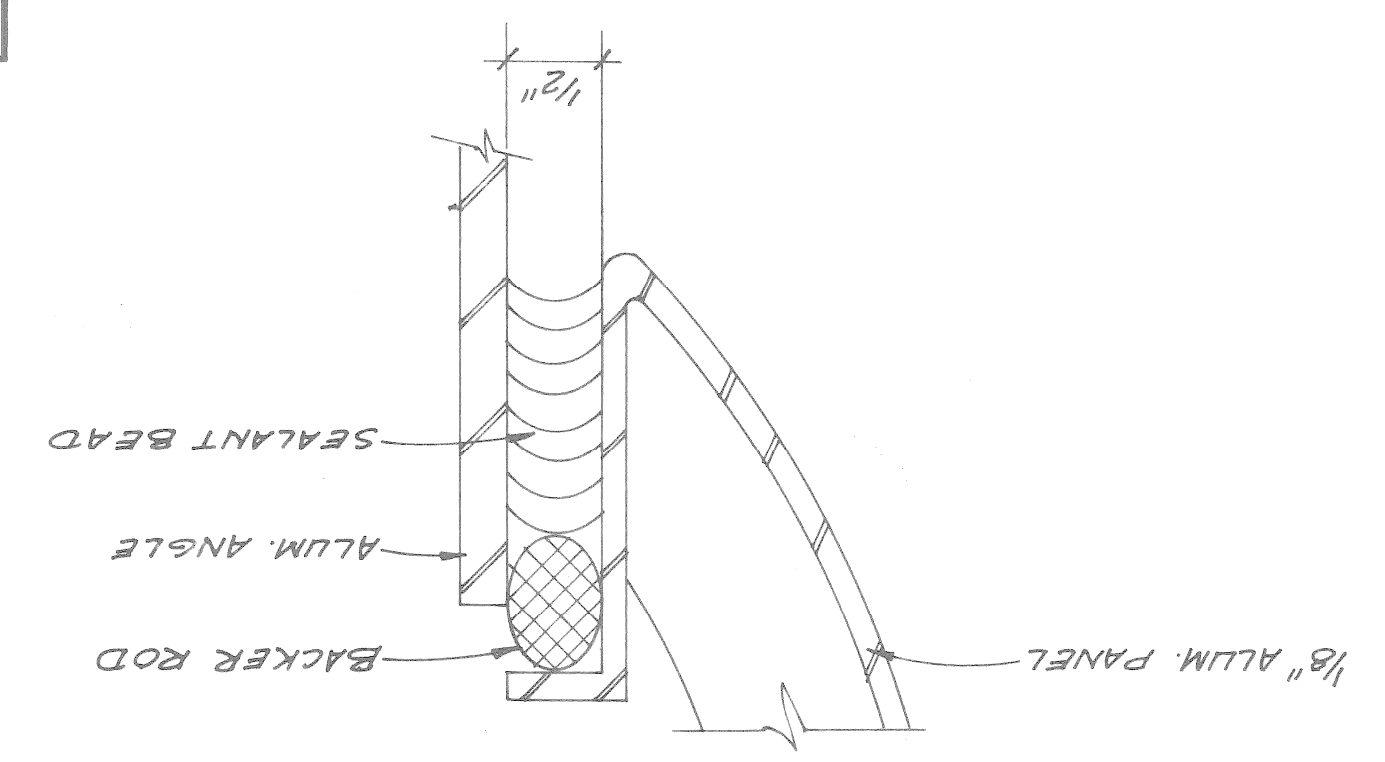
1. REMOVE EXISTING MARBLE COPING AND ROUGHEN THE CONCRETE SURFACE.
 2. APPLY EPOXY BONDING AGENT.

1. REMOVE EXISTING MARBLE COPING AND ROUGHEN THE CONCRETE SURFACE.
 2. APPLY EPOXY BONDING AGENT.

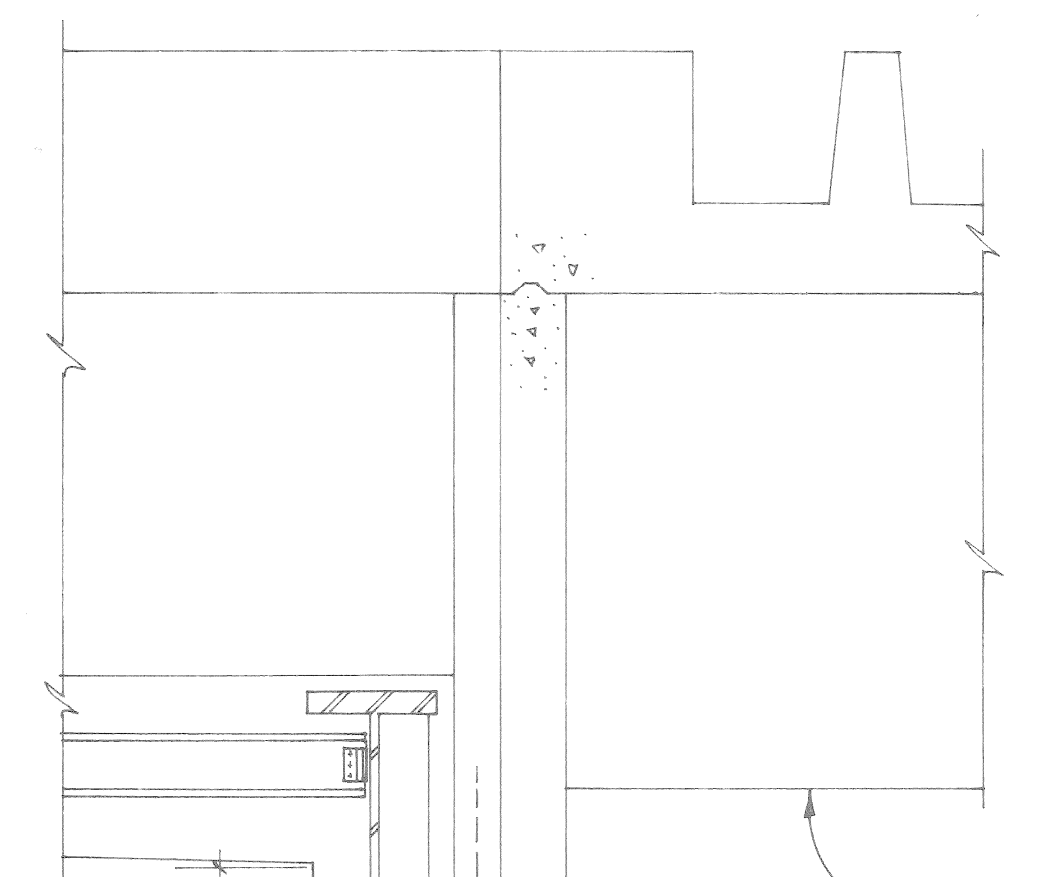
1. REMOVE EXISTING MARBLE COPING AND ROUGHEN THE CONCRETE SURFACE.
 2. APPLY EPOXY BONDING AGENT.

1. REMOVE EXISTING MARBLE COPING AND ROUGHEN THE CONCRETE SURFACE.
 2. APPLY EPOXY BONDING AGENT.

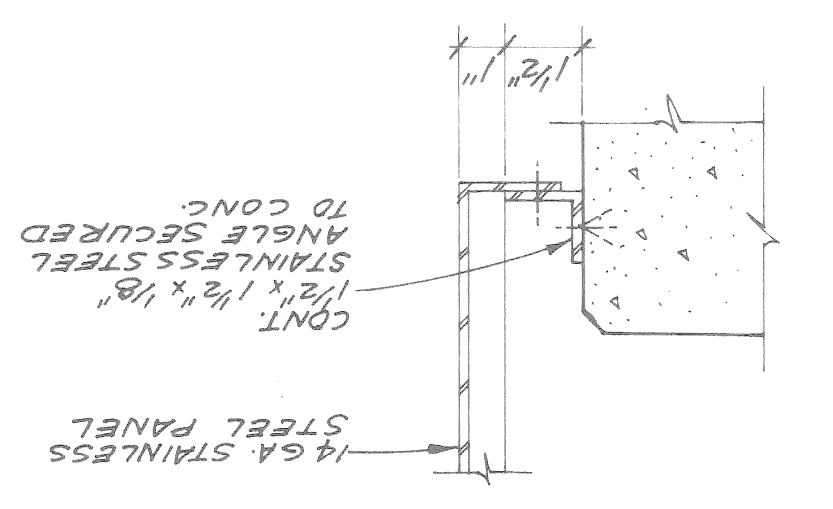
SECTION 5
SCALE: 1/2" = 1'-0"



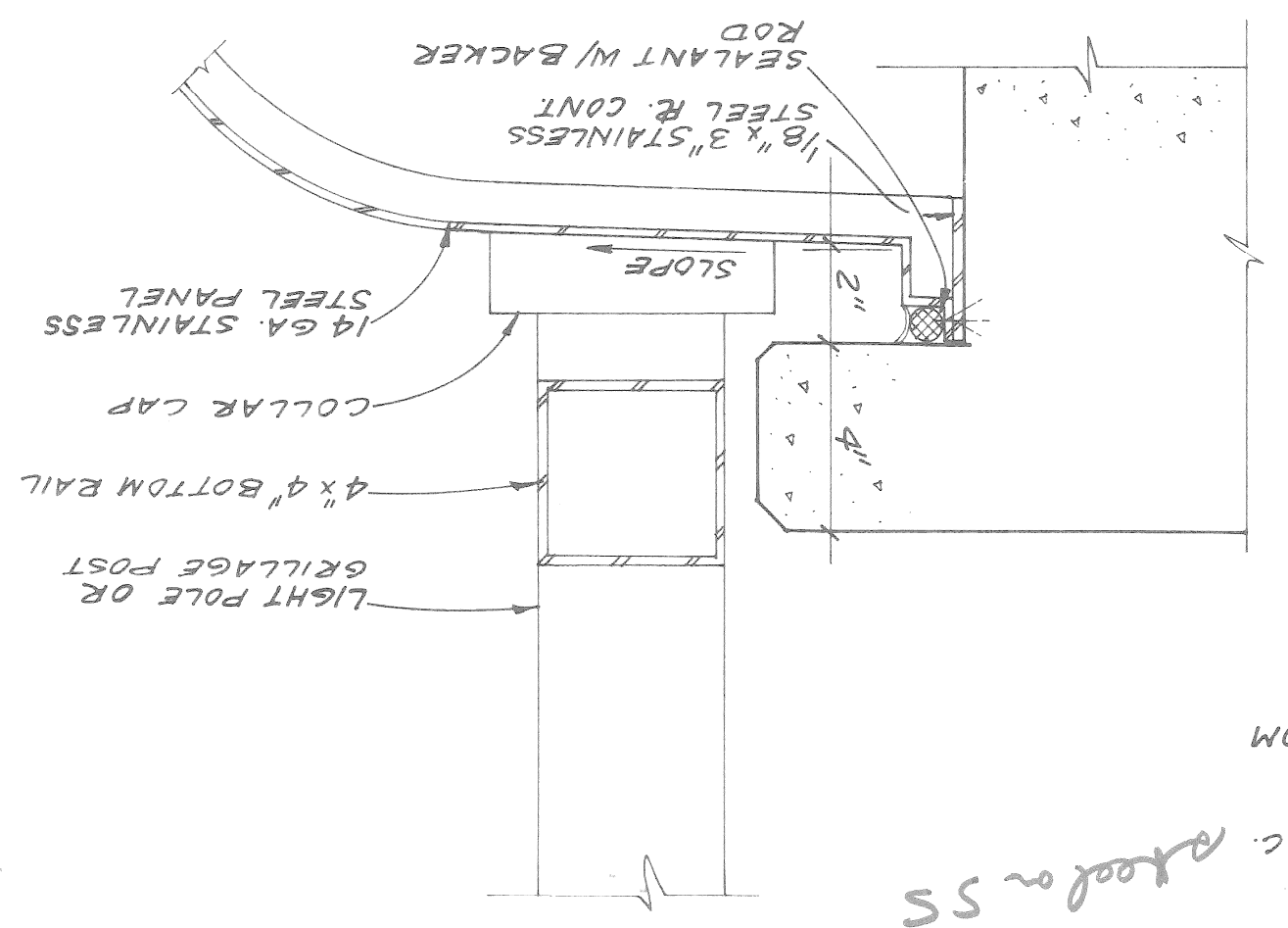
SECTION 6
SCALE: 1/2" = 1'-0"



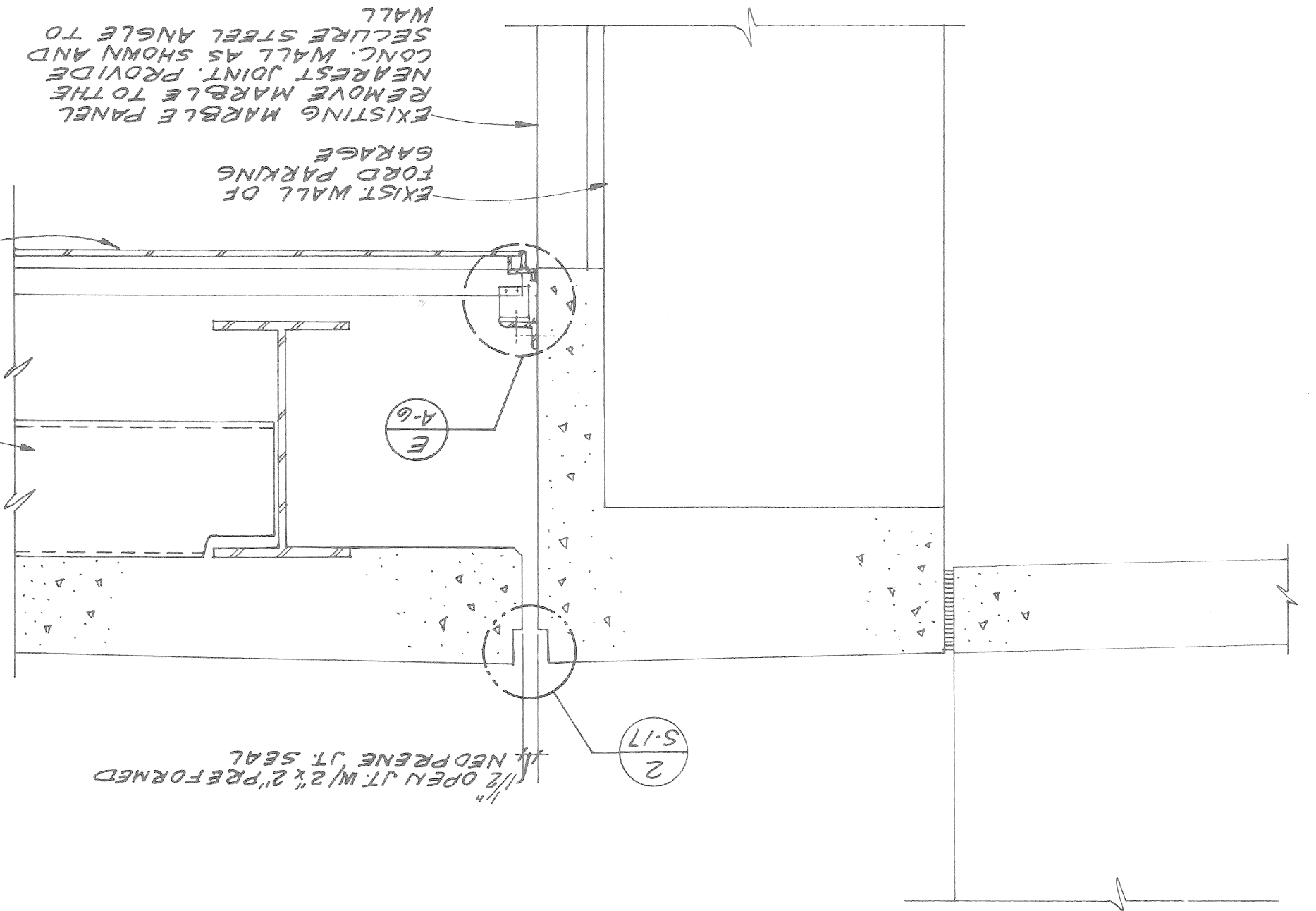
DETAIL B
SCALE: 3/4" = 1'-0"



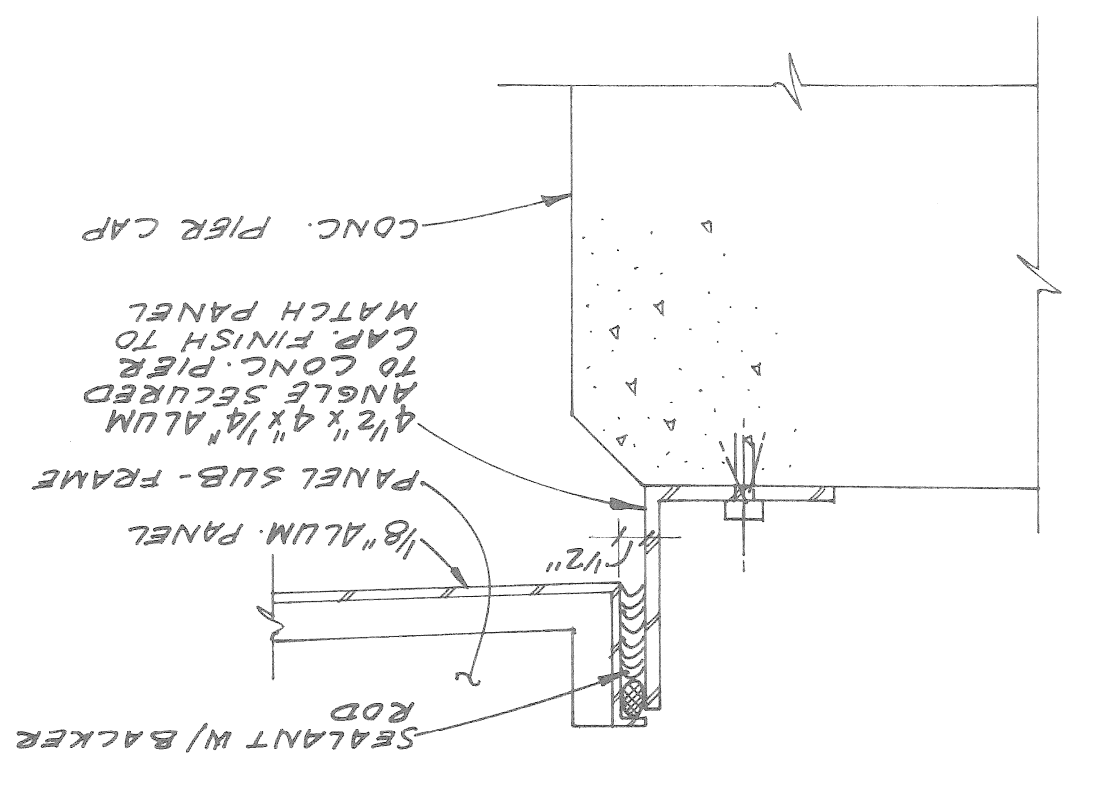
DETAIL C
SCALE: 3/4" = 1'-0"



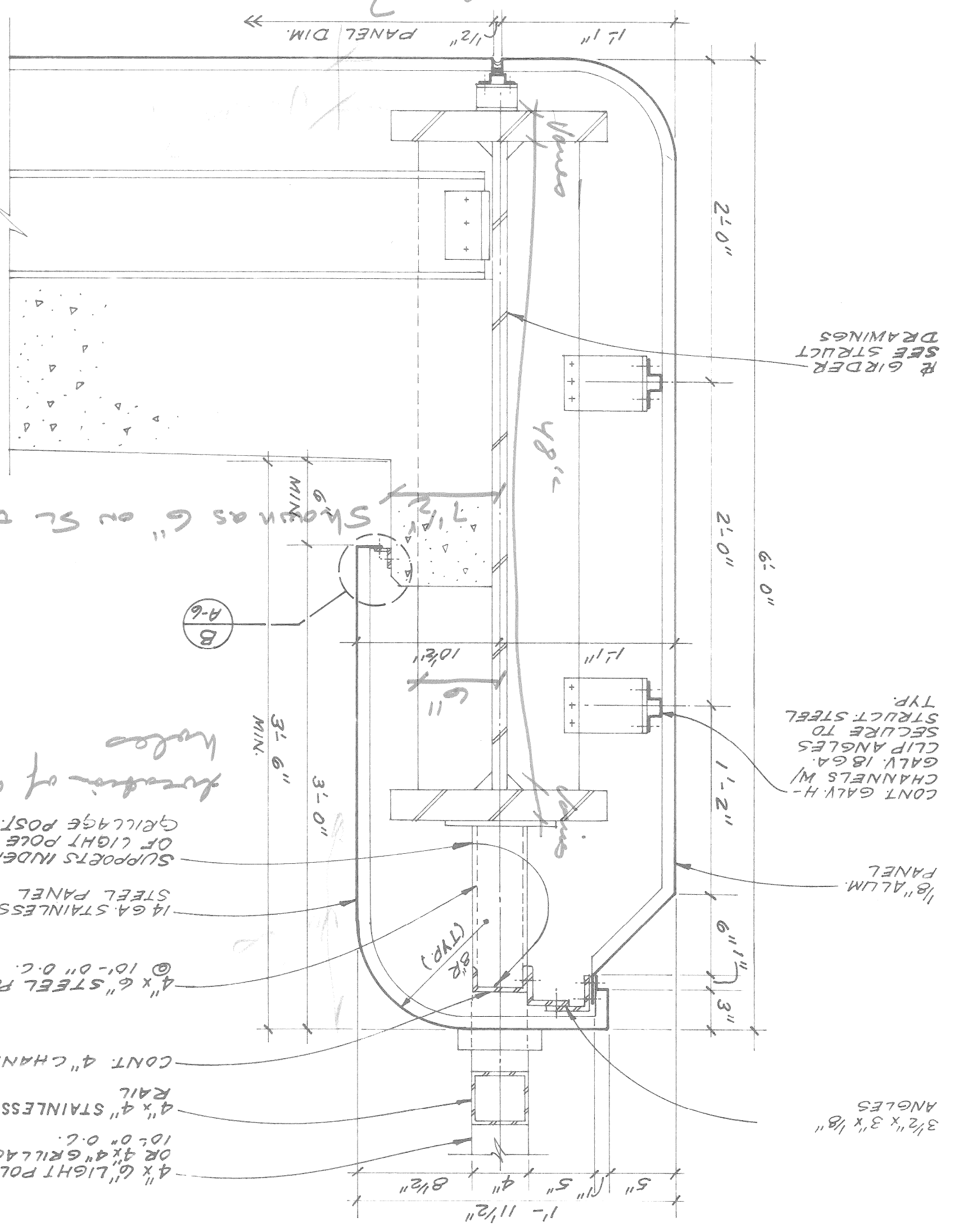
SECTION 3
SCALE: 1/2" = 1'-0"



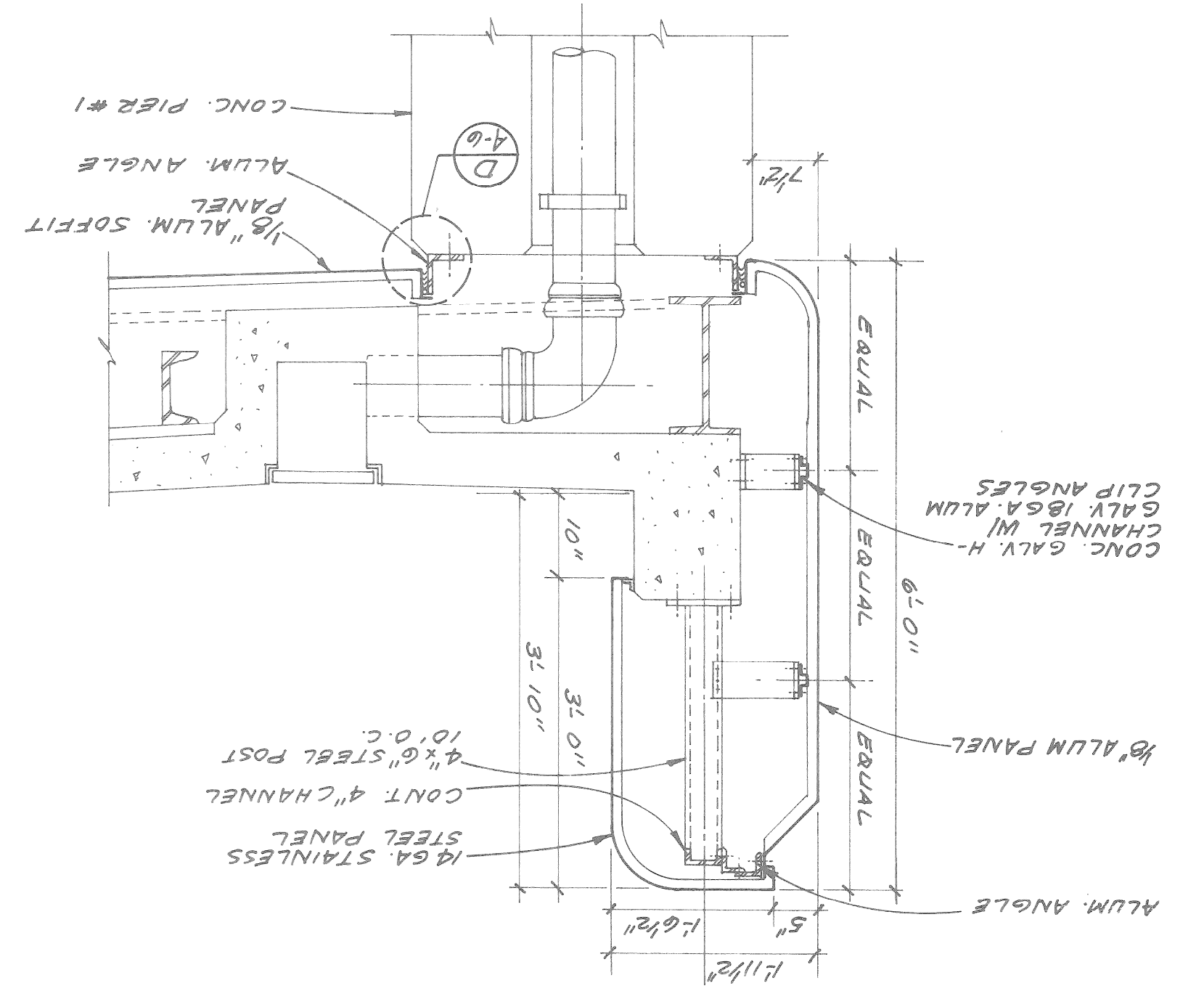
DETAIL D
SCALE: 3/4" = 1'-0"



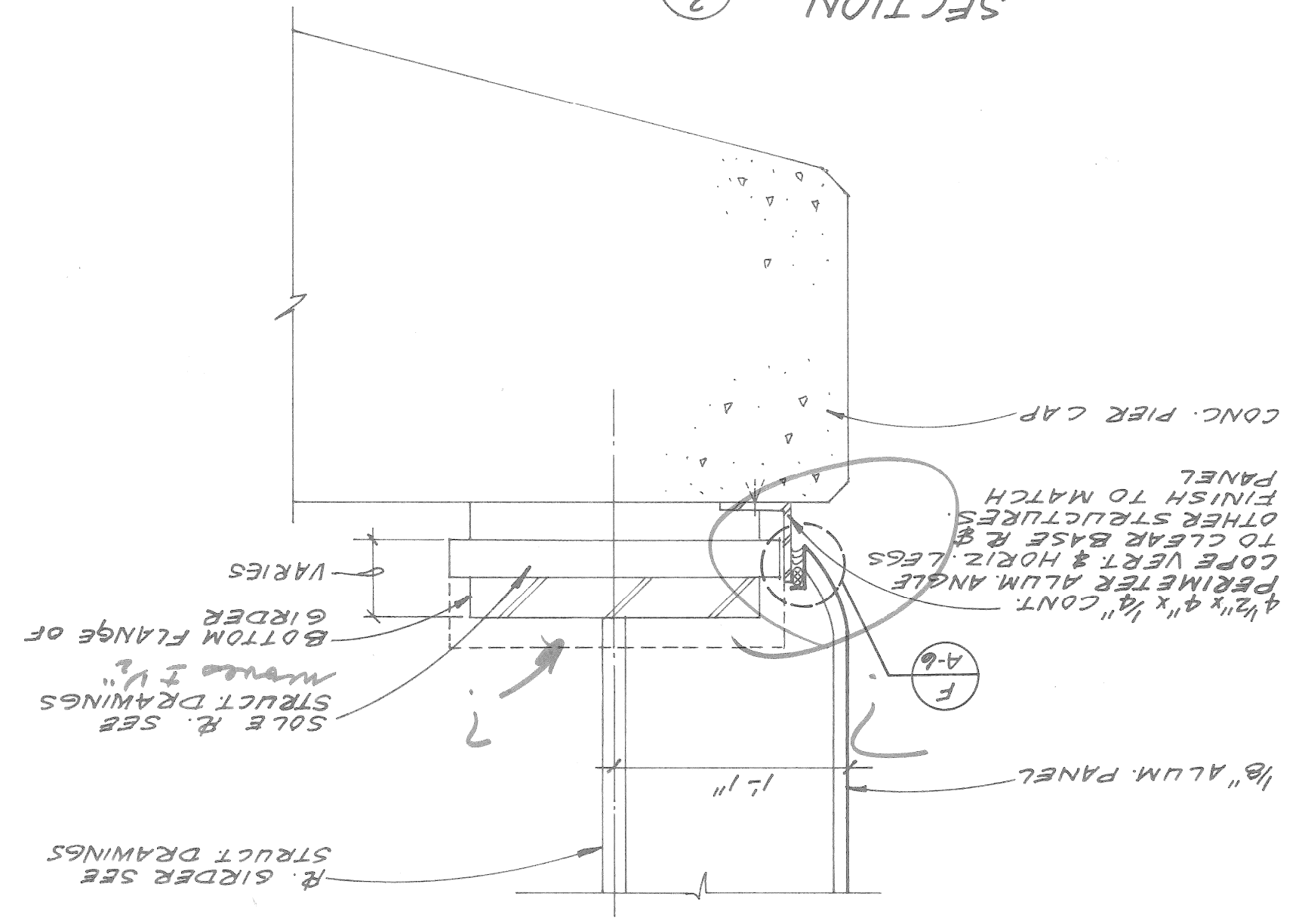
SECTION 4
SCALE: 3/4" = 1'-0"



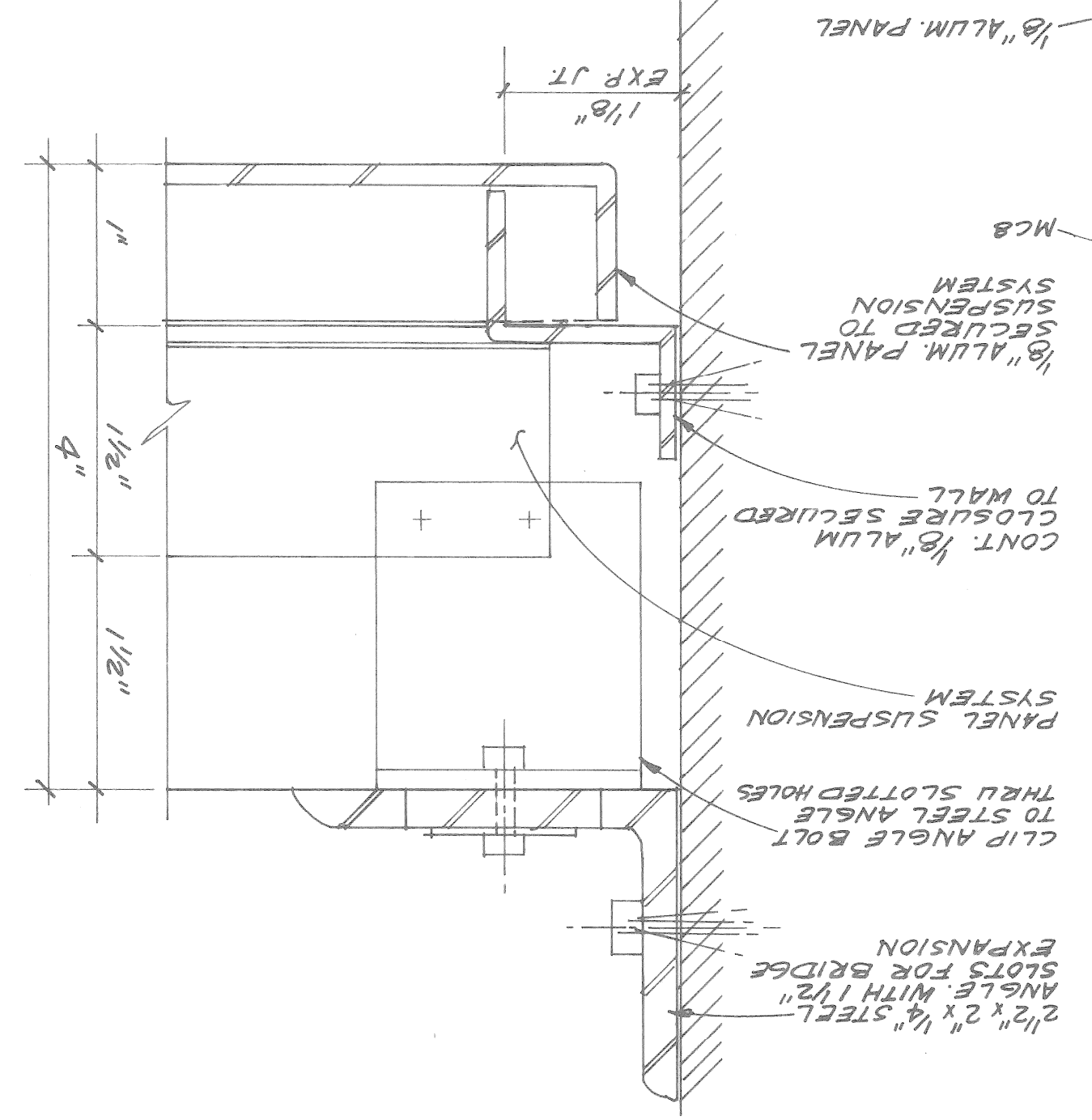
SECTION 4
SCALE: 3/4" = 1'-0"



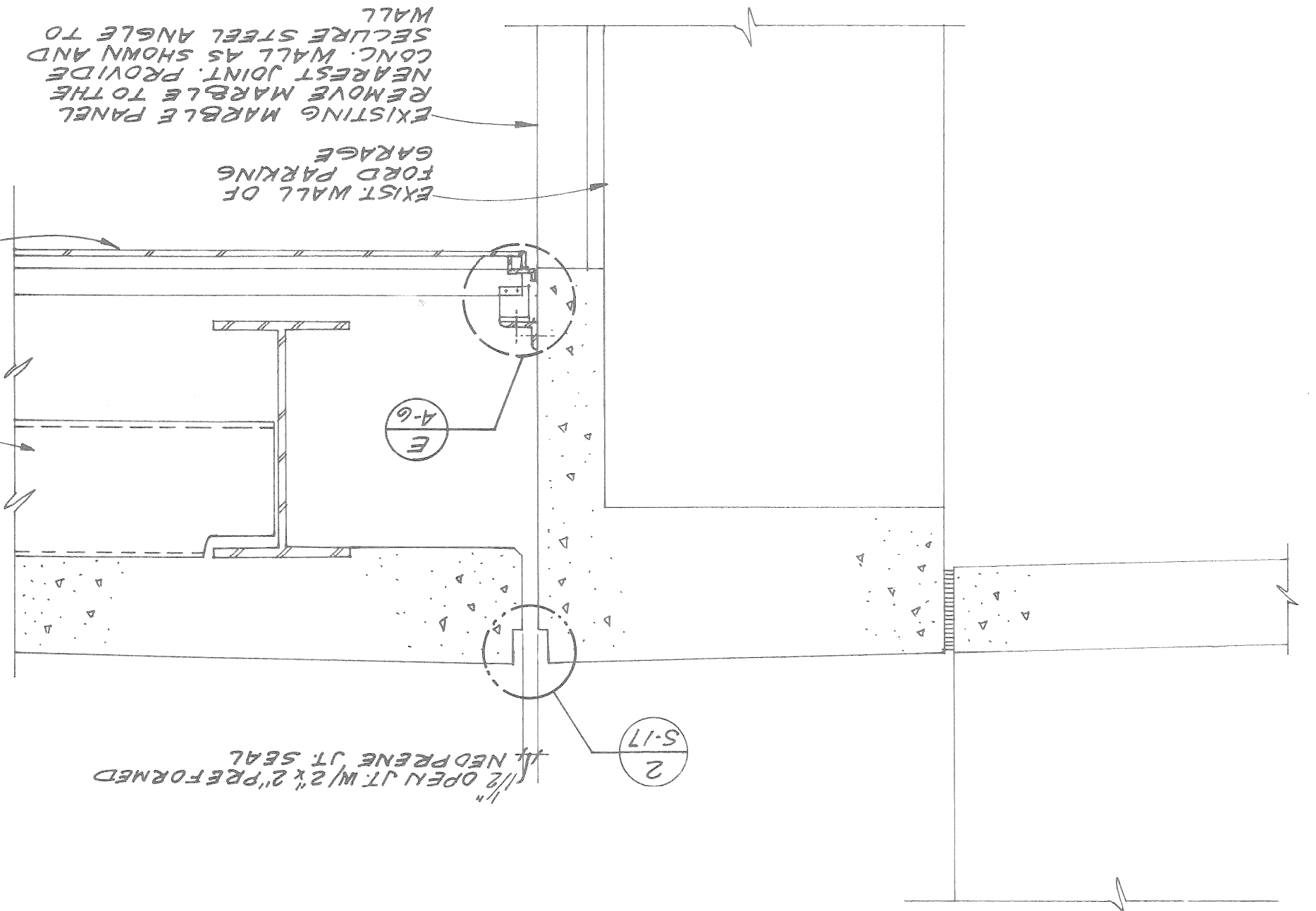
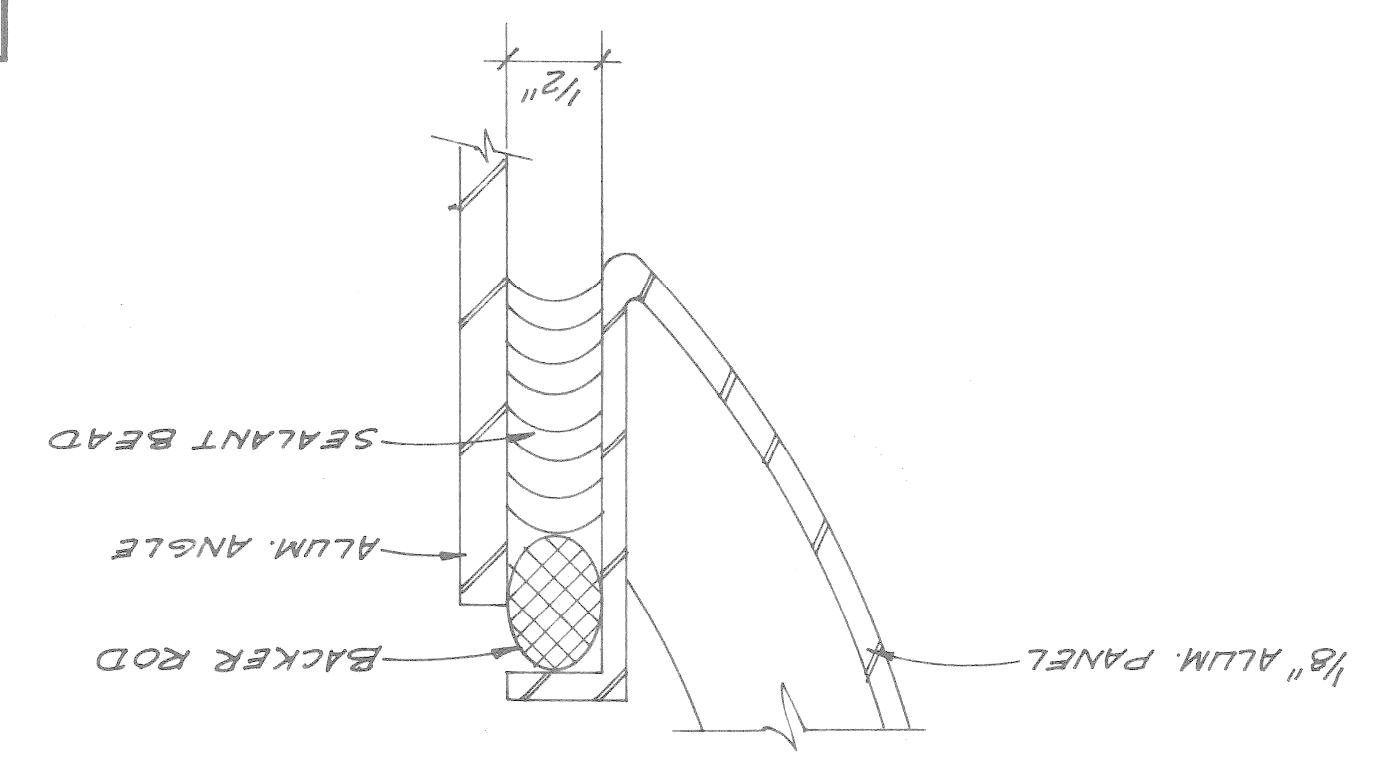
SECTION 2
SCALE: 1/2" = 1'-0"



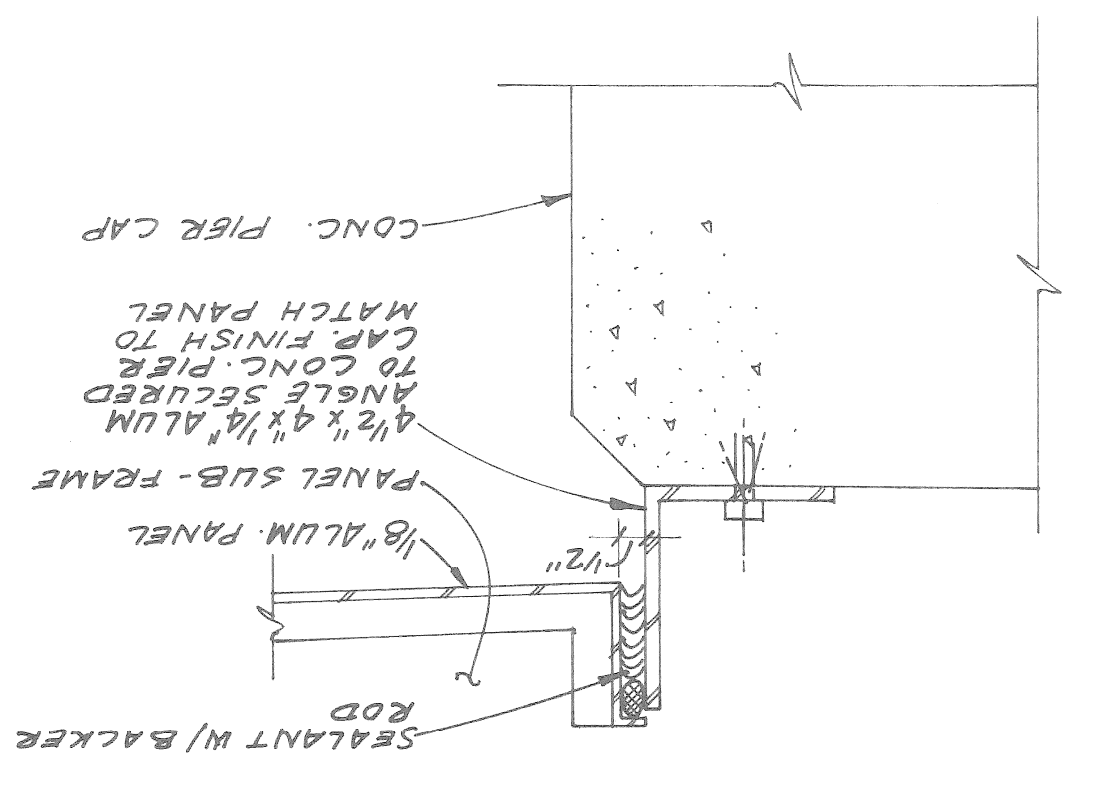
DETAIL E
SCALE: FULL



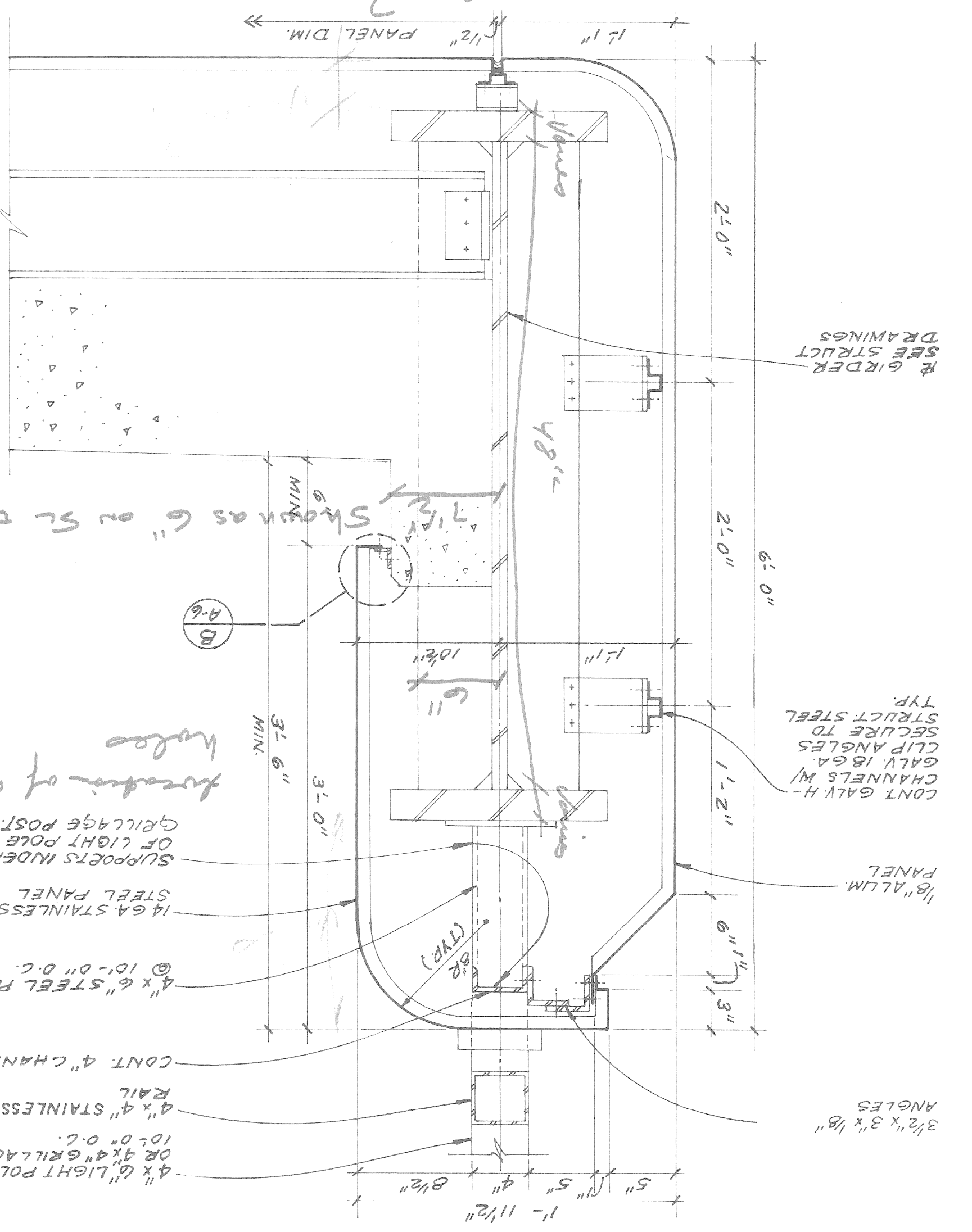
DETAIL F
SCALE: FULL



DETAIL D
SCALE: 3/4" = 1'-0"



SECTION 6
SCALE: 1/2" = 1'-0"



SECTION 4
SCALE: 3/4" = 1'-0"

