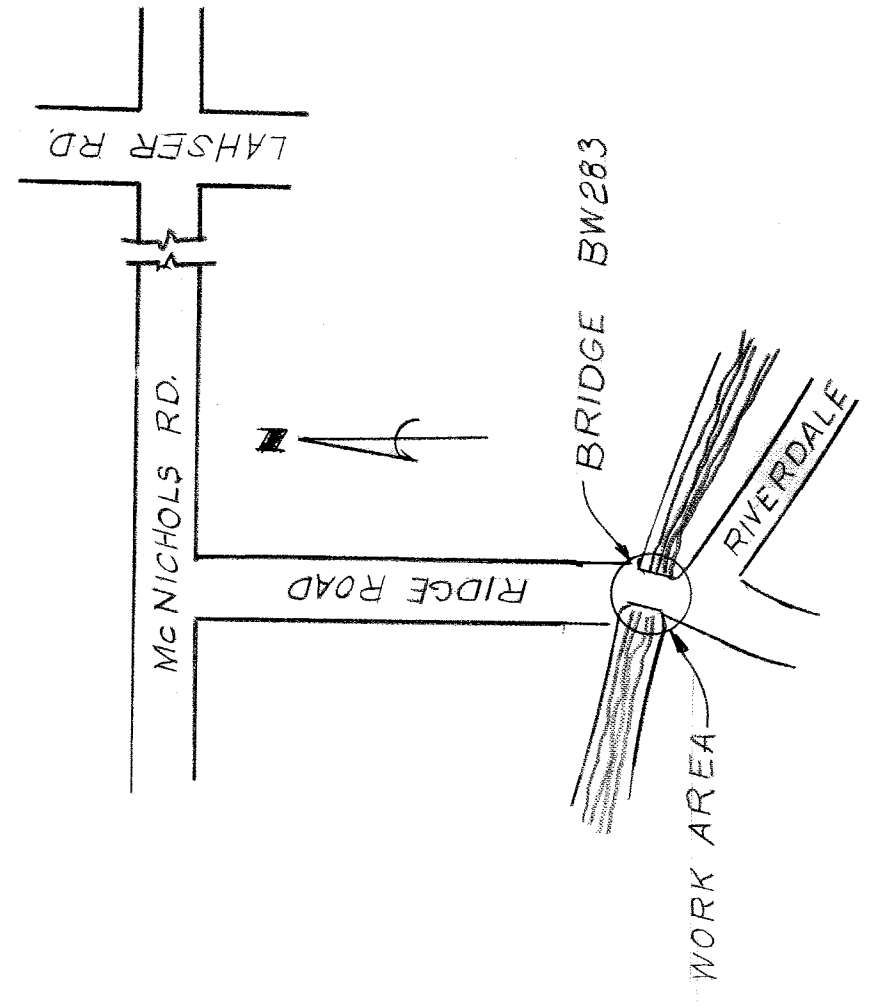


DESIGNED BY	
DRAWN BY	L.G.
CHECKED BY	
APPROVED BY	
DATE	
PROJECT NO.	
REVISIONS	

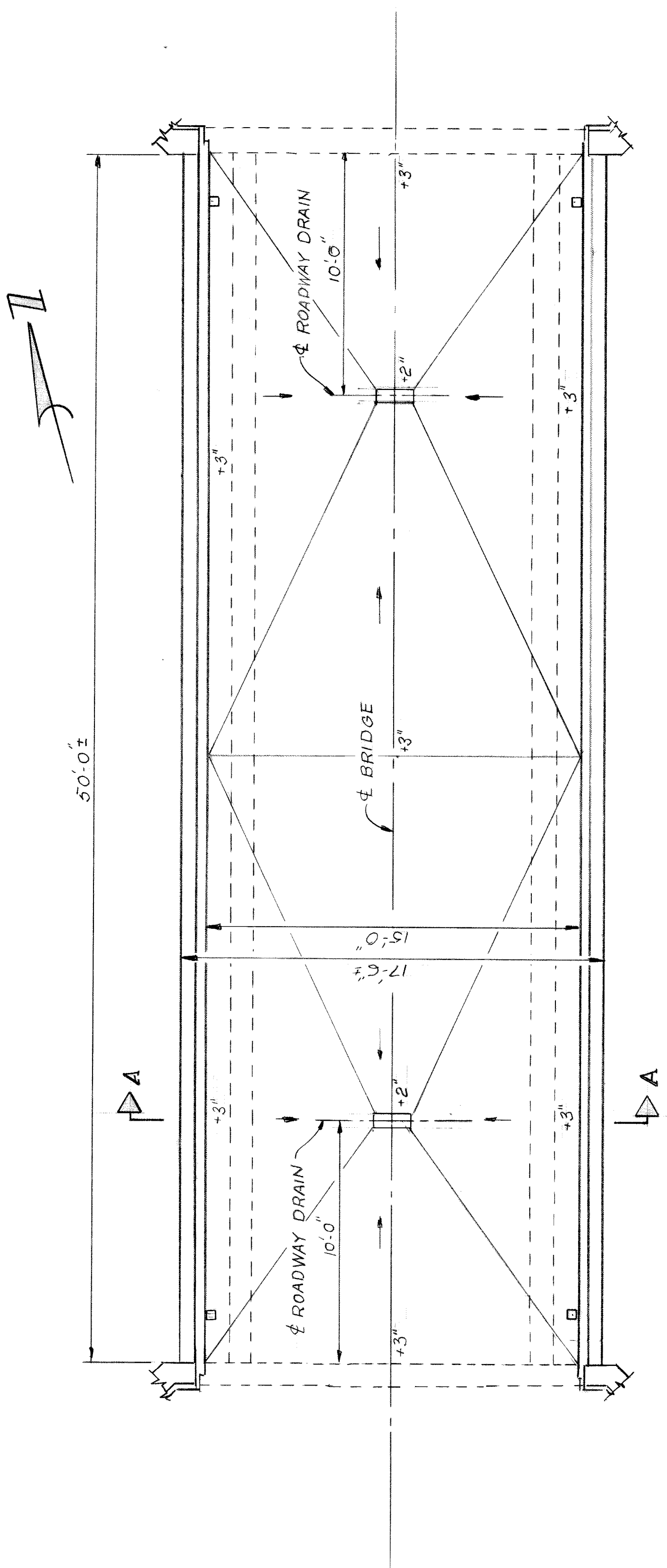
**CITY OF DETROIT**  
 department of public works  
 city engineering division  
 for

BW 283  
 RIDGE ROAD OVER ROUGE RIVER  
 BRIDGE DECK REPAIR

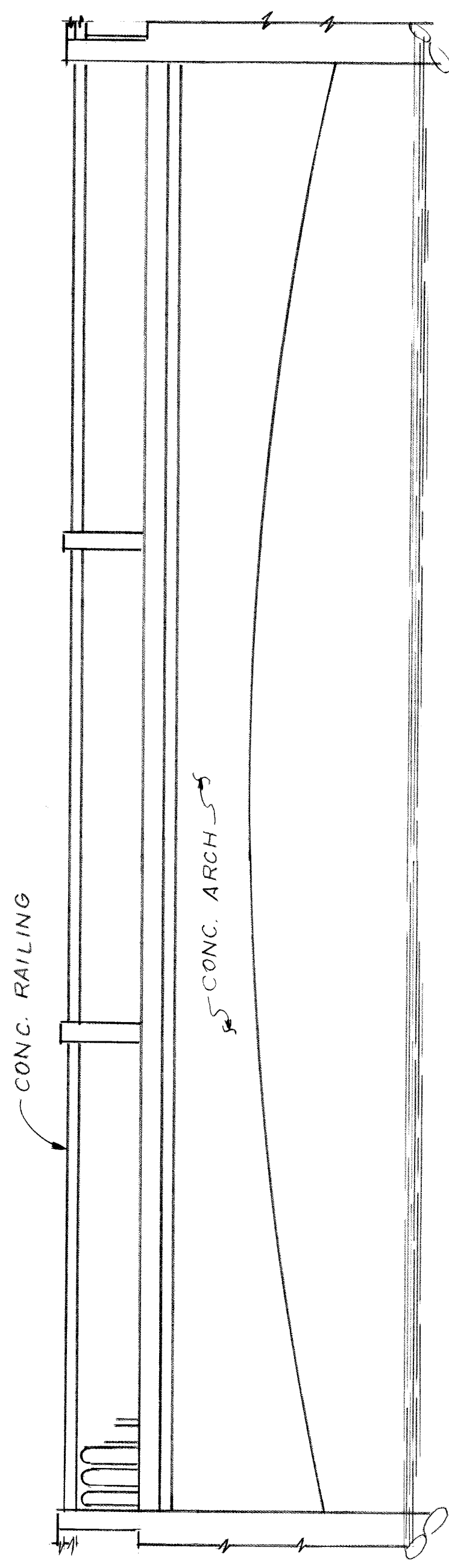
a.o. contract no.  
 sheet / of / drawing no.  
 date 6-81



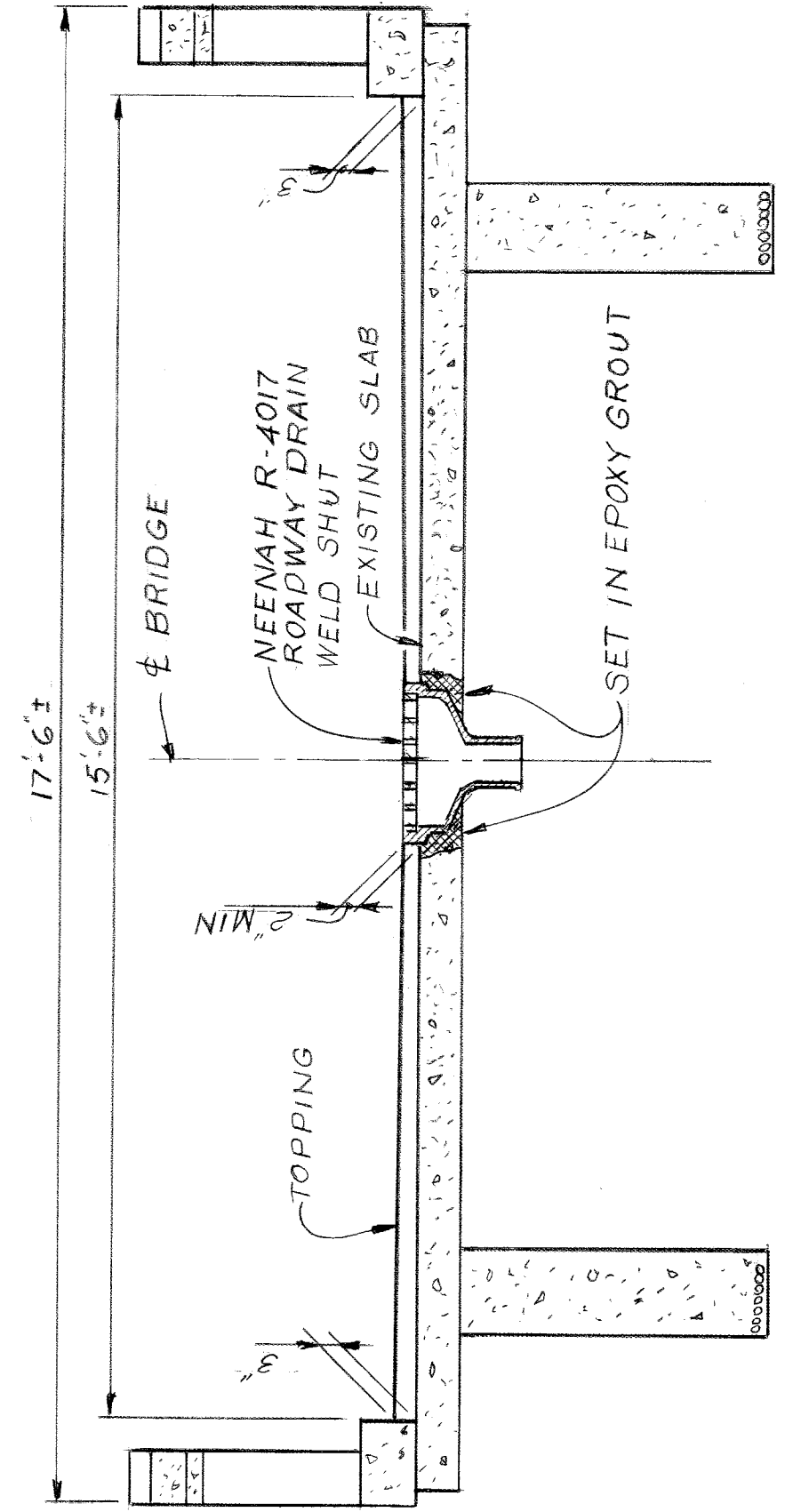
LOCATION PLAN  
 Scale: 1"=200'



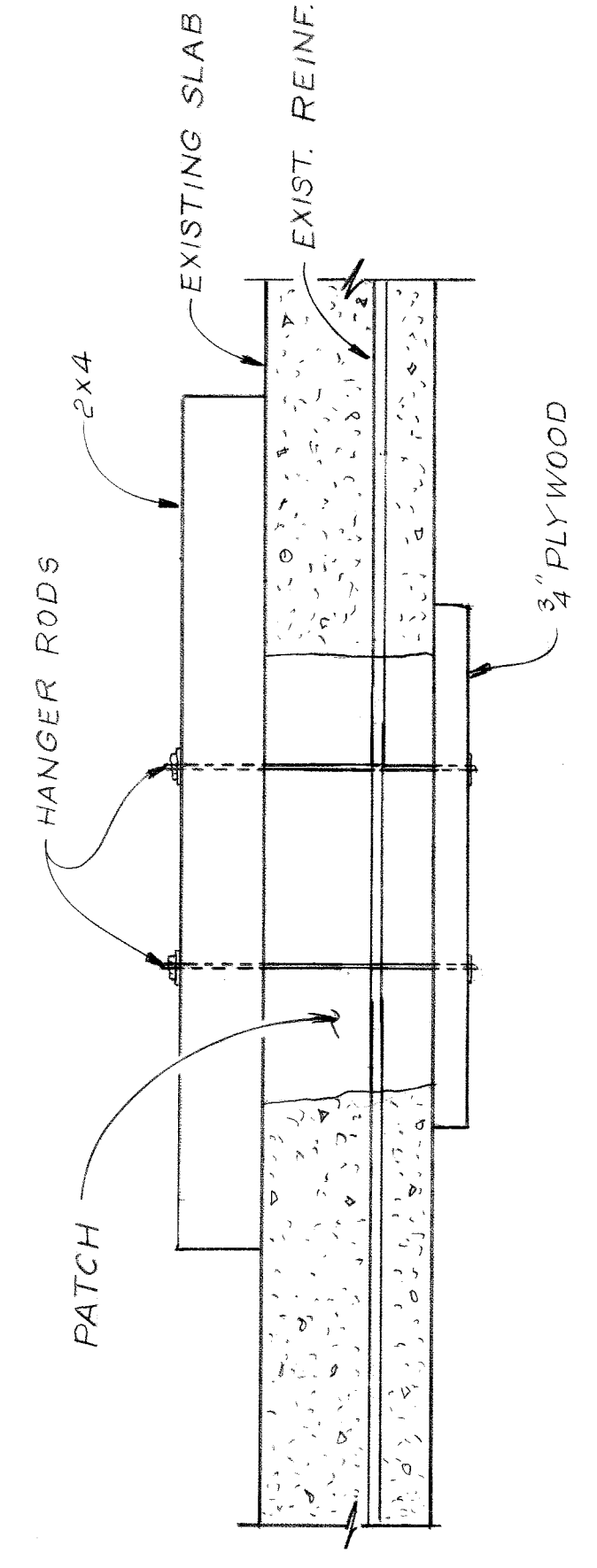
PLAN  
 Scale: 1/4"=1'-0"



ELEVATION  
 Scale: 1/4"=1'-0"



SECTION A-A  
 Scale: 1/2"=1'-0"



DETAIL OF DECK REPAIR  
 Scale: None