

DATE	REVISIONS
	OLD MAP 3-30-53
	Added Sec. AA 6-12-58 J.E.

SUPPLEMENTARY DETAILS			
C-325	C-524	C-733	C-938
C-326A	C-585	C-739	C-1608
C-327	C-586	C-739A	C-1783
C-390	C-587	C-739B	

**BEFORE STARTING CONSTRUCTION**  
 CONTRACTOR MUST CHECK WITH UTILITIES FOR LOCATIONS OF EXISTING STRUCTURES WHETHER OR NOT INDICATED ON PLANS.

SCALE

LOTS & ALLEYS

STREET WIDTH

VERTICAL

DRAINAGE COMPLETED

PAVING COMPLETED C.C. 8-4-59

QUANTITIES	ESTIMATED	
	LOTS	CITY
EXCAVATION CU. YDS.		
NEW CURB LIN. FT.		
PAVING YDS.		
TEST CORES		
SIDEWALK		
MANHOLES	ADJUST	
	CONSTRUCT	
ASINS	ADJUST	
	CONSTRUCT	
SEWER-12"	LIN. FT.	

PETITION NO. FCC	PETITION DATE
	6-4-57
ASSIGNMENT NO.	GROUP NO.
BOOK NO.	PG.
LEVEL DATE	DATE
LOTS 2L	LENGTH
CITY 2L	LENGTH
TOTAL	LENGTH
DATE OF DRAWING	FOR ASSESSMENT

MADE BY: *H. Smith*  
 CHECKED BY: *H. Smith*

ESTIMATE: *J. K. Smith*  
 SEWER APPROVED: *J. K. Smith*  
 FINAL CHECK: *Ercher*  
 APPROVED: *Belton*  
*W. Wallace*  
 ENGINEER OF STREETS  
 CITY ENGINEER

58-4 ✓

INDEX NO.
77
TOPO NO.
117
INDEXED
1

CONTRACT NO. P.W. 3249 F

**STREET PAVING PLAN**  
**CITY OF DETROIT**

DEPARTMENT OF PUBLIC WORKS - CITY ENGINEERS OFFICE

NAME OF STREET: **WEST PARKWAY**

FROM: **959.2' S OF S.L. CHICAGO**

TO: **33' N OF S.L. CHICAGO**

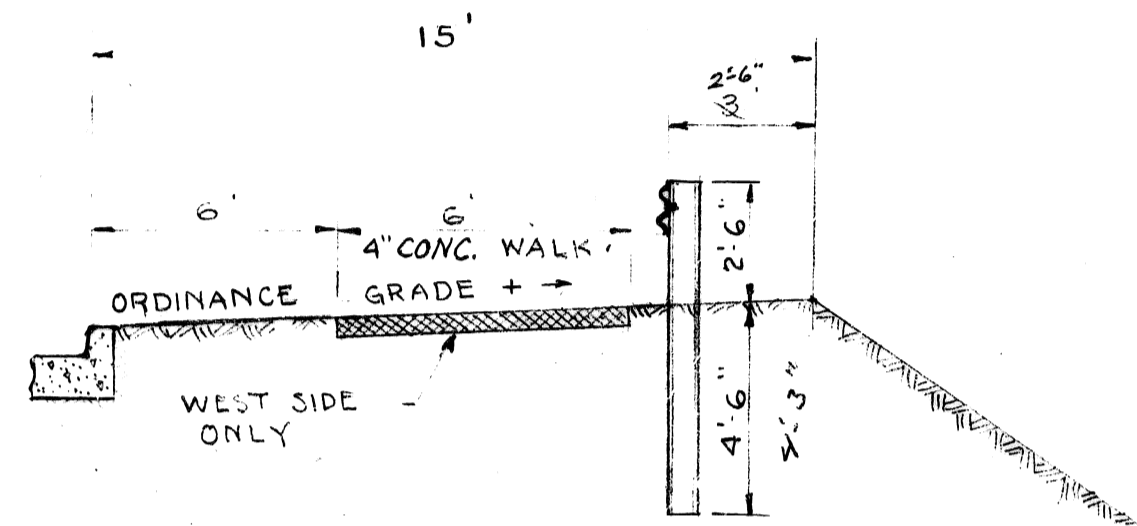
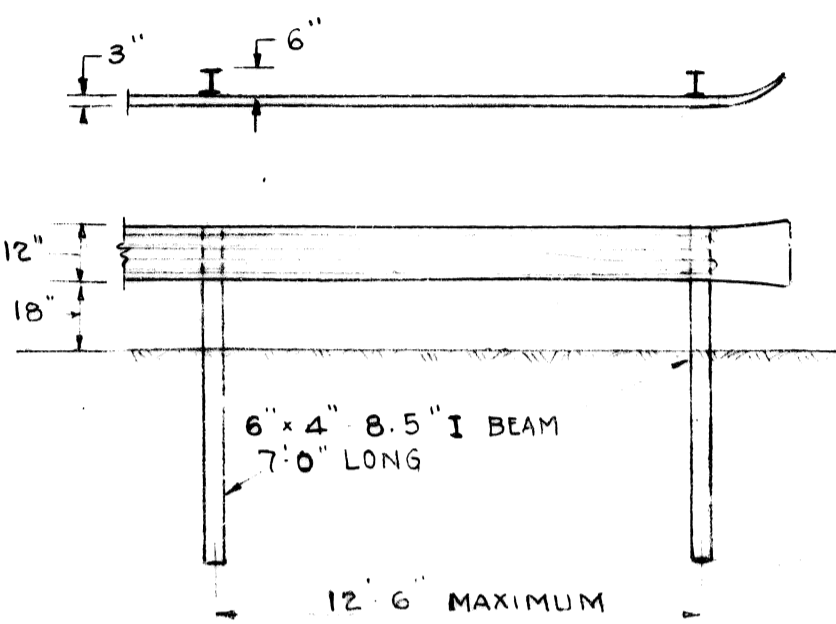
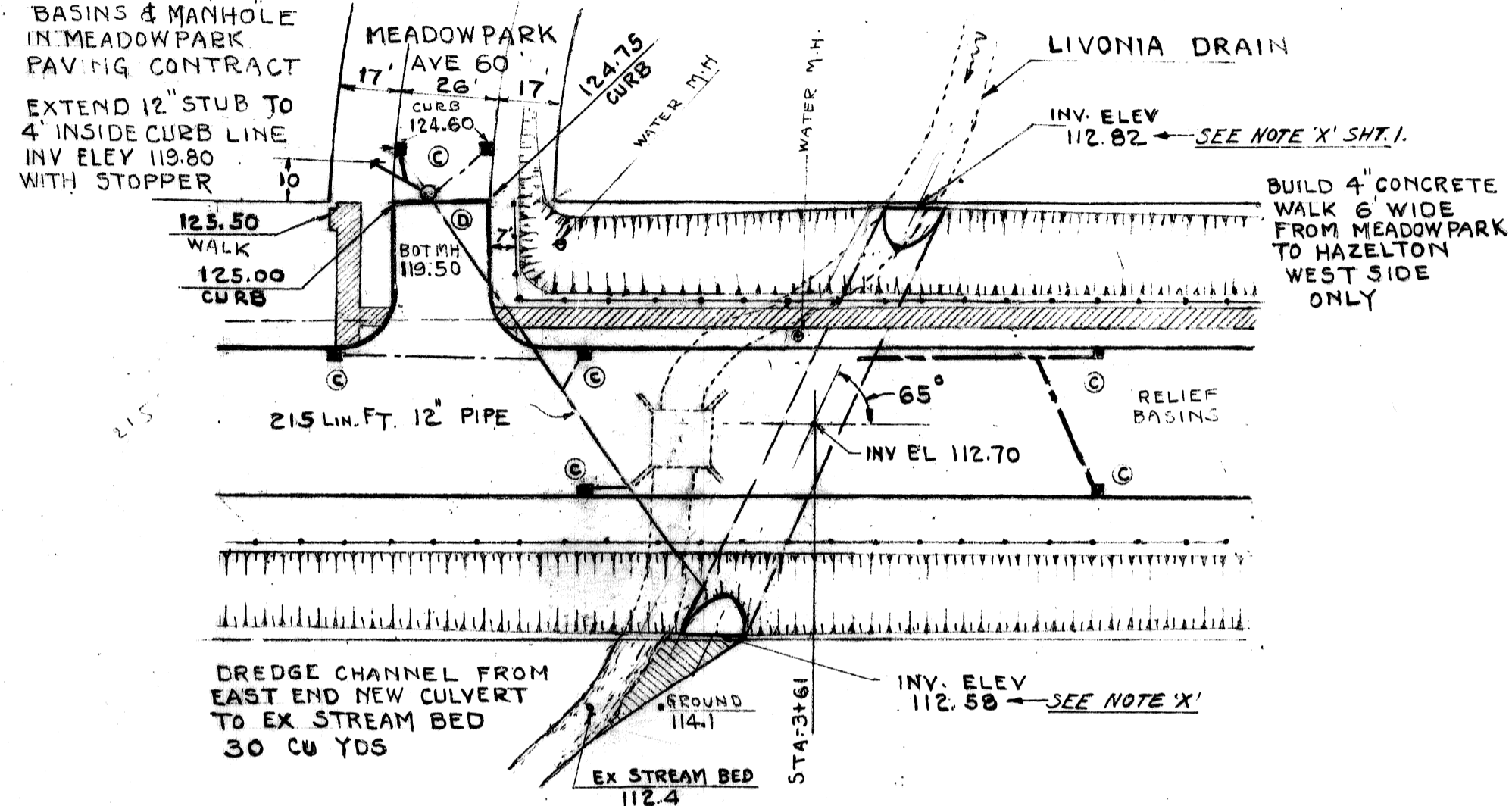
TYPE OF PAVEMENT: **8 & 8 ONE COURSE CONCRETE-INTEGRAL CURB**  
**8" UNIFORM AT STREET INTERSECTION EXCEPT AS NOTED**

FORCED COMMON COUNCIL 6-4-57

BENCH MARKS

ELEV.

SHEET 3 OF 3 SHEETS



FOR LOTS ONLY

\* TREE SCHEDULE

STA.	SIZE	NO.
0173	6" ASH	1
0177	6" ASH	2
0485	6" ASH	1
2110	8" ASH	1
2116	14" OAK	1
2127	18" ELM	1
2153	12" OAK	1
2177	8" ELM	1
2185	8" ELM	1
3103	14" ELM	1
3122	7" ELM	2
3128	8" ELM	1
3129	8" ELM	1
3170	6" ELM	1
3186	7" ASH	3
3194	8" ELM	1
3193	6" ELM	1
3194	8" ELM	1
4100	8" ELM	1
4110	6" ELM	1
4117	7" ELM	2
4121	10" ELM	1
4136	8" ELM	1
4154	8" ELM	1
4157	12" ELM	1
4171	6" ELM	1
4178	10" ELM	1
4190	7" ELM	2
4191	14" OAK	1
4192	8" ELM	1
4198	20" ELM	1
5123	6" APPLE	1
5130	8" TARRA	1
5147	20" ELM	1

411392

