

DATE	REVISIONS		
	OLD MAP 3-30-53		
	Added Sec. AA 6-12-58 J.E.		
SUPPLEMENTARY DETAILS			
C-325	C-524	C-733	C-938
C-326A	C-585	C-739	C-1608
C-327	C-586	C-739A	C-1783
C-390	C-587	C-739B	

BEFORE STARTING CONSTRUCTION CONTRACTOR MUST CHECK WITH UTILITIES FOR LOCATIONS OF EXISTING STRUCTURES WHETHER OR NOT INDICATED ON PLANS.

SCALE

LOTS & ALLEYS

STREET WIDTH

VERTICAL

DRAINAGE COMPLETED

PAVING COMPLETED C.C. 8-4-59

QUANTITIES	ESTIMATED	
	LOTS	CITY
EXCAVATION CU. YDS.		
NEW CURB LIN. FT.		
PAVING YDS.		
TEST CORES		
SIDEWALK		
MANHOLES	ADJUST	
	CONSTRUCT	
	ADJUST	
	CONSTRUCT	
ASINS		
SEWER-12"	CONSTRUCT	
	LIN. FT.	

PETITION NO. FCC	PETITION DATE	
	6-4-57	
ASSIGNMENT NO.	GROUP NO.	
BOOK NO.	PC.	LEVEL DATE
LOTS 2L	LENGTH	
CITY 2L	LENGTH	
TOTAL	LENGTH	
DATE OF DRAW G.	FOR ASSESSMENT	

MADE BY: *H. Smith*

CHECKED BY: *H. Smith*

ESTIMATE: *J. K. Smith*

SEWER APPROVED: *J. K. Smith*

FINAL CHECK: *Epstein*

APPROVED: *Belton*

*W. Wallace* ENGINEER OF STREETS

CITY ENGINEER

INDEX NO.
77
TOPO NO.
117
INDEXED
1

CONTRACT NO. P.W. 3249 F

**STREET PAVING PLAN**

**CITY OF DETROIT**

DEPARTMENT OF PUBLIC WORKS - CITY ENGINEERS OFFICE

NAME OF STREET: WEST PARKWAY

FROM: 959.2' S OF S.L. CHICAGO

TO: 33' N OF S.L. CHICAGO

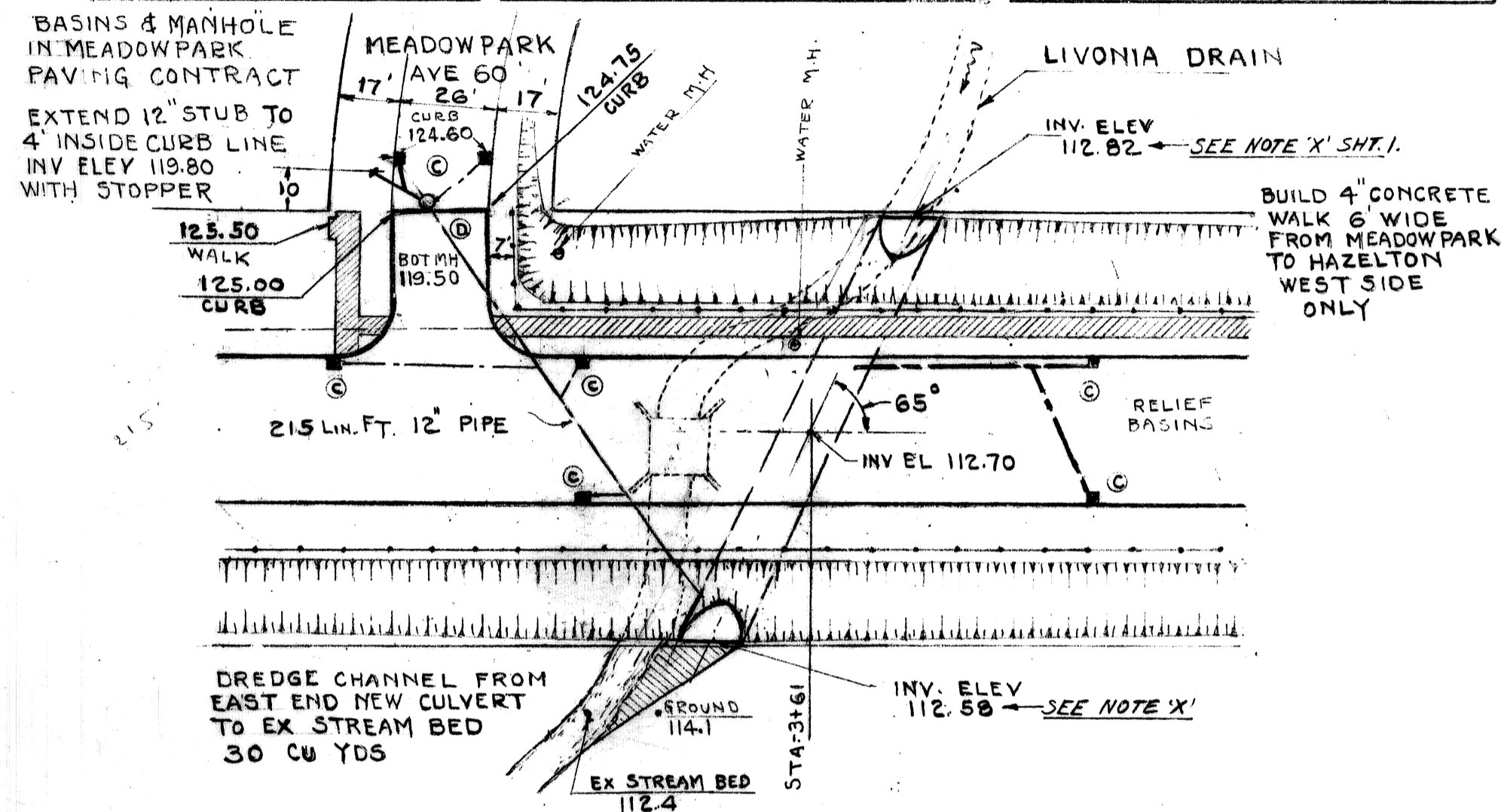
TYPE OF PAVEMENT: 8 & 8 ONE COURSE CONCRETE-INTEGRAL CURB 8" UNIFORM AT STREET INTERSECTION EXCEPT AS NOTED

FORCED COMMON COUNCIL 6-4-57

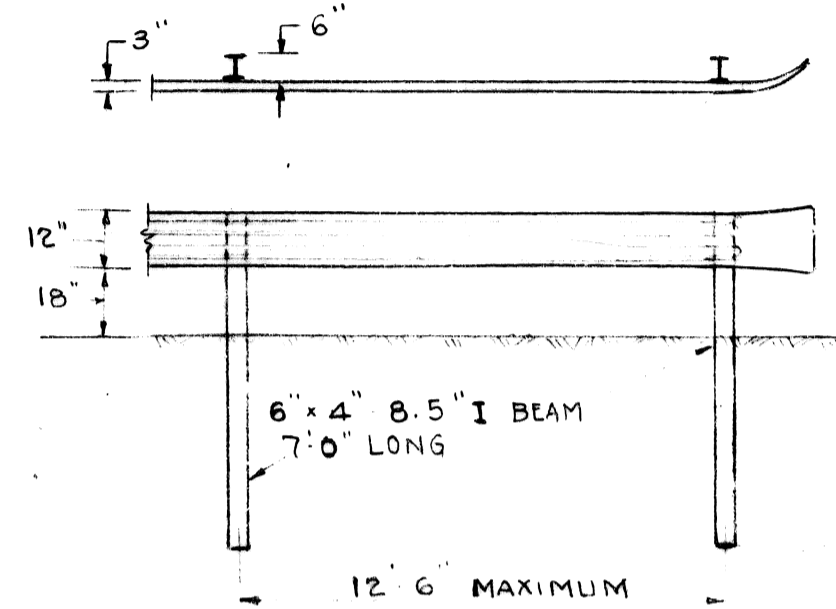
BENCH MARKS

ELEV.

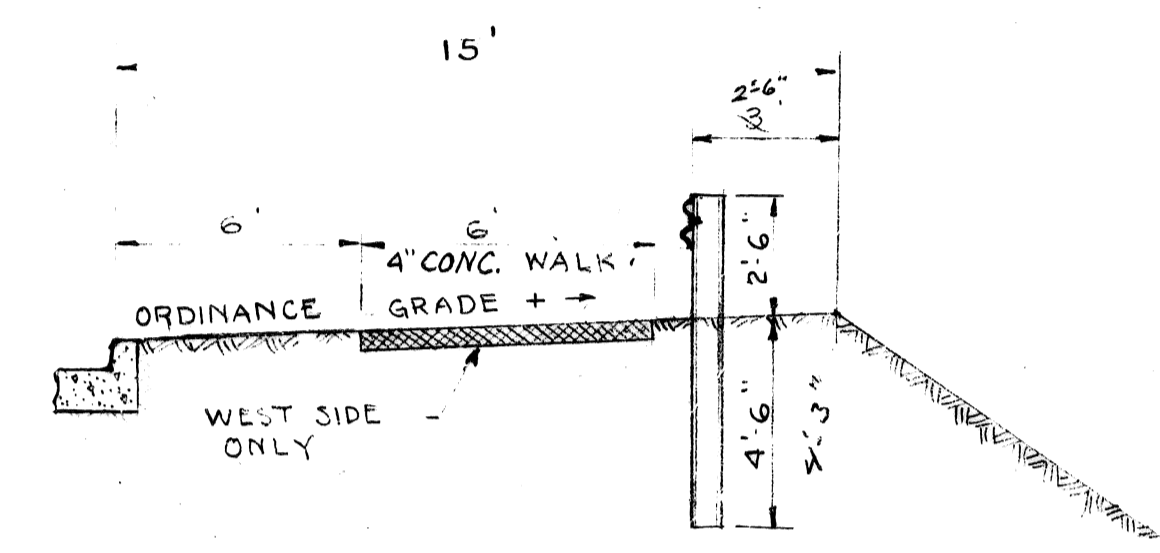
SHEET 3 OF 3 SHEETS



DETAIL OF PIPE ARCH CULVERT  
SCALE 1" = 40 FT



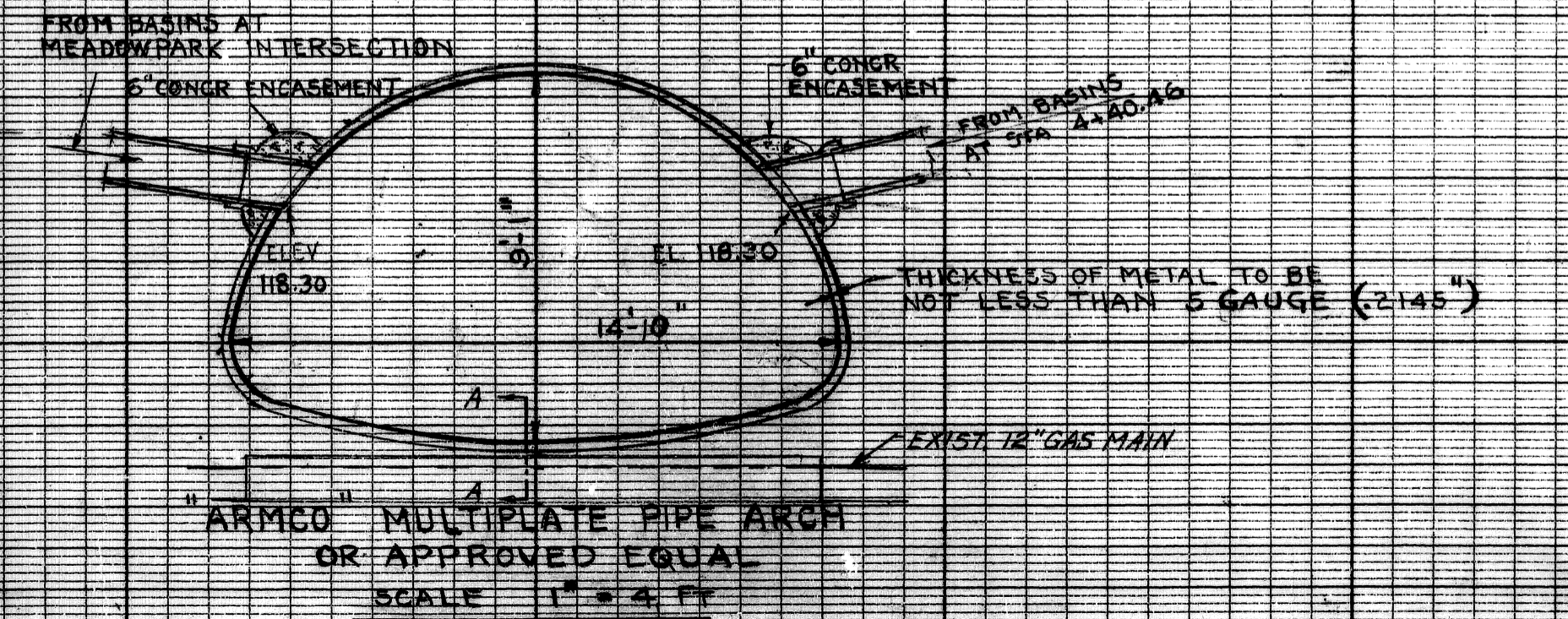
DETAIL OF GUARD RAIL  
SCALE 1" = 4 FT.



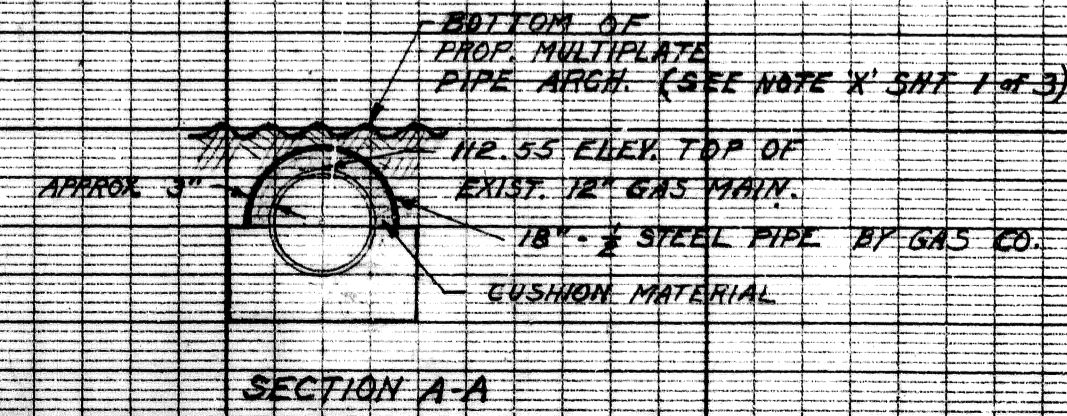
FOR LOTS ONLY

* STA.	SIZE	NO.
0473	6" ASH	1
0477	6" ASH	2
0485	6" ASH	1
2110	8" ASH	1
2116	14" OAK	1
2127	18" SLM	1
2153	12" OAK	1
2177	8" SLM	1
2185	2" SLM	3
3123	2" SLM	2
3128	8" SLM	1
3136	8" SLM	1
3170	6" SLM	1
3186	7 1/2" ASH	3
3192	6" SLM	1
3193	6" SLM	1
3194	8" SLM	1
4100	8" SLM	1
4110	6" SLM	1
4117	7" SLM	2
4121	10" SLM	1
4136	6" SLM	1
4154	8" SLM	1
4187	12" SLM	1
4197	6" SLM	1
4198	10" SLM	1
4199	7" SLM	2
4204	14" SLM	1
4208	6" SLM	1
4198	20" SLM	1
5123	6" SLM	1
5130	8" SLM	1
5137	20" SLM	1

411392



ARMO MULTIPLATE PIPE ARCH  
OR APPROVED EQUAL  
SCALE 1" = 4 FT



SECTION A-A