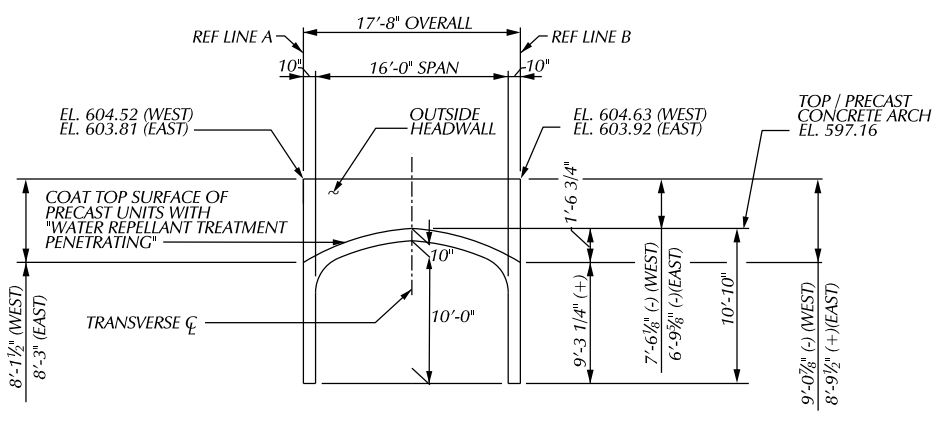
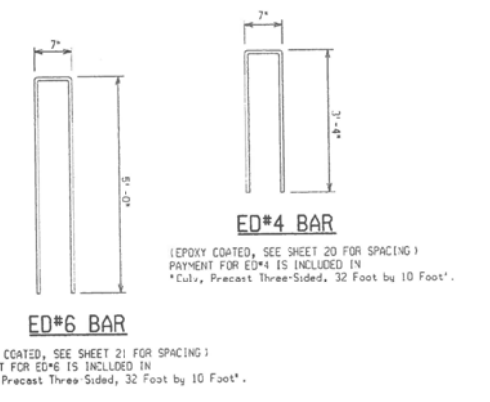


PLAN

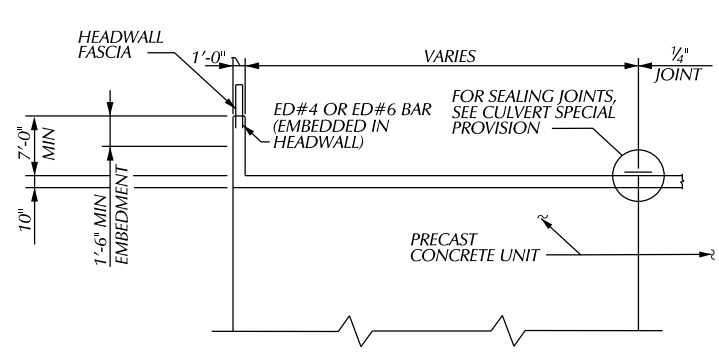


SECTION A-A (WEST HEADWALL)
SECTION D-D (EAST HEADWALL)
(ED BARS NOT SHOWN)

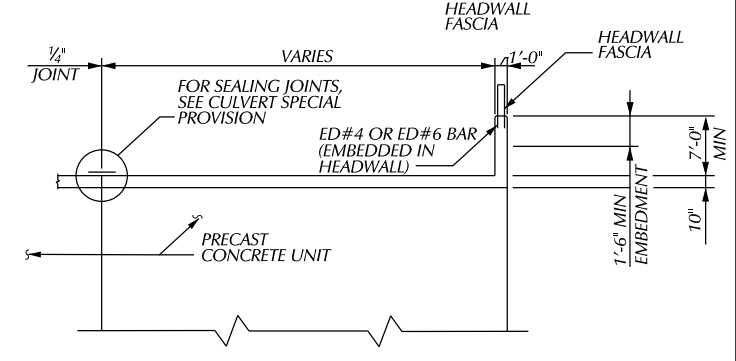


MISCELLANEOUS QUANTITIES	
62 FT	CULV., PRECAST THREE-SIDED OR ARCH, ___ FOOT BY ___ FOOT
___ SYD	WATER REPELLANT TREATMENT, PENETRATING

NOTES:
DESIGN ALL CULVERT / HEADWALL CONNECTIONS FOR TRAFFIC LOADS.
PAYMENT FOR TEXTURING ON HEADWALLS SHALL BE INCLUDED IN, *CULV., PRECAST THREE-SIDED, ___ FOOT BY ___ FOOT. SEE SPECIAL PROVISION FOR TEXTURING CONCRETE. THE FORM LINERS FOR THE HEADWALL MUST BE THE SAME AS THOSE USED ON THE SHEET PILING WALLS.



SECTION B-B



SECTION C-C

PLAN	BY	CHECKED BY	APPROVED
GRADE			
ESTIMATE			
DESCRIPTION	DR	CHK	APP
REVISIONS			

CITY OF DETROIT
CITY ENGINEERING DIVISION - D.P.W.
BUREAUS OF STREETS AND HIGHWAYS
FOR

WEST PARKWAY CULVERT OVER ROUGE RIVER
CONCRETE ARCH DETAILS

SHEET	OF	SHEETS
CONTRACT		
N.O.		
ASSIGNMENT		
N.O.		
DATE		