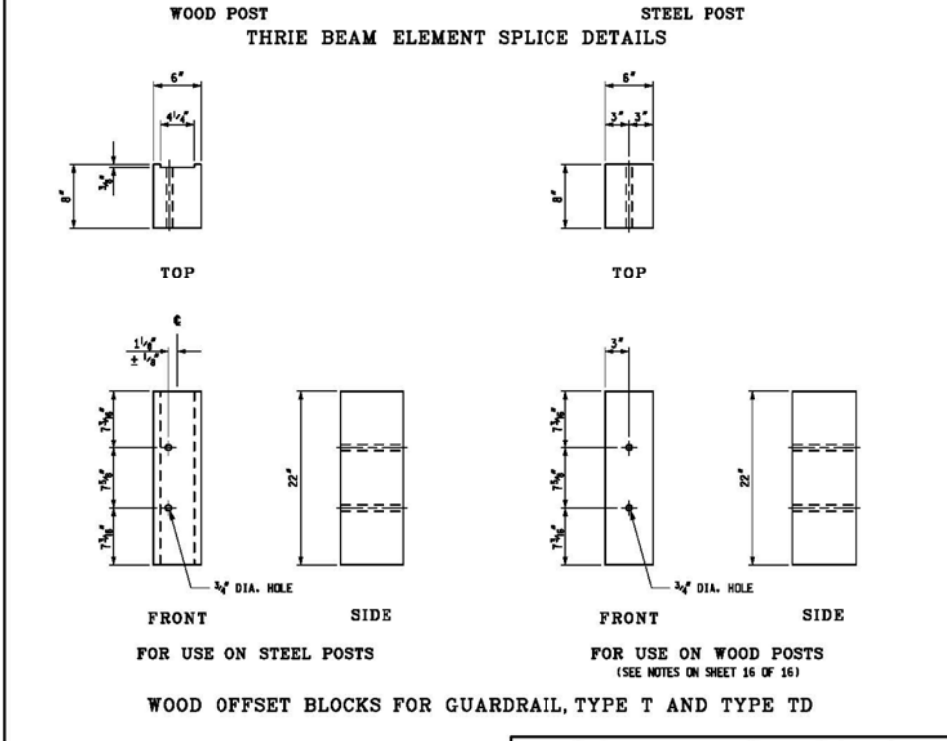
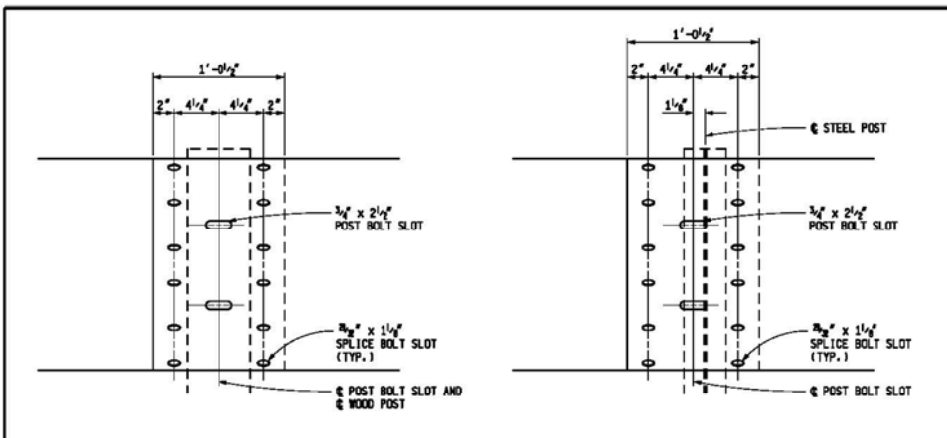


MICHIGAN DEPARTMENT OF TRANSPORTATION  
BUREAU OF DEVELOPMENT STANDARD PLAN FOR  
**GUARDRAIL,  
TYPES A, B, BD, T, TD,  
MGS-8, & MGS-8D**

F.H.W.A. APPROVAL: \_\_\_\_\_ 7-26-2017 PLAN DATE: \_\_\_\_\_ R-60-J SHEET 5 OF 17



MICHIGAN DEPARTMENT OF TRANSPORTATION  
BUREAU OF DEVELOPMENT STANDARD PLAN FOR  
**GUARDRAIL,  
TYPES A, B, BD, T, TD,  
MGS-8, & MGS-8D**

F.H.W.A. APPROVAL: \_\_\_\_\_ 7-26-2017 PLAN DATE: \_\_\_\_\_ R-60-J SHEET 6 OF 17

AS-LET PLAN REVISIONS							
NO.	DATE	AUTH	DESCRIPTION	NO.	DATE	AUTH	DESCRIPTION

**MDOT**  
Michigan Department of Transportation

0 VERT. (FT)  
0 HORZ. (FT)

DATE:	CS:	DRAWING	SHEET
DESIGN UNIT:	JN:		
TSC:			
FILE:			

**EXISTING**

**FOR INFORMATION ONLY**

DO NOT WORK FROM THIS SHEET. THE INFORMATION SHOWN HERE IS FOR REFERENCE ONLY. NO PAY ITEMS ARE SHOWN.

DESCRIPTION	OR	CHK	APV	DATE	BY	CHECKED BY	APPROVED
PLAN							
GRADE							
ESTIMATE							
FINAL							

CITY OF DETROIT  
CITY ENGINEERING DIVISION - D.P.W.  
BUREAUS OF STREETS AND HIGHWAYS  
FOR

**WEST PARKWAY CULVERT OVER ASHCROFT - SHERWOOD DRAIN**

**ROAD - DETAILS**

SHEET	15	OF	39	SHEETS
CONTRACT NO.	PW-6987			
ASSIGNMENT NO.				
DATE	01/24/2018			