

DATE	REVISIONS
OLD MAP	3-30-55
Added Sec. AA	6-12-58 J.E.

SUPPLEMENTARY DETAILS			
C-325	C-324	C-733	C-928
C-326A	C-385	C-739	C-1608
C-327	C-386	C-739A	C-1783
C-390	C-387	C-739B	

BEFORE STARTING CONSTRUCTION CONTRACTOR MUST CHECK WITH UTILITIES FOR LOCATIONS OF EXISTING STRUCTURES WHETHER OR NOT INDICATED ON PLANS.	
SCALE	
LOTS & ALLEYS	
STREET WIDTH	
VERTICAL	
DRAINAGE COMPLETED	
PAVING COMPLETED C.C. 8-4-59	

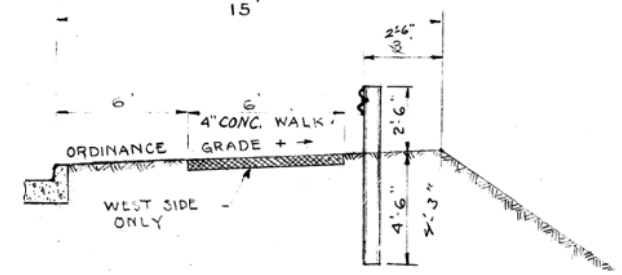
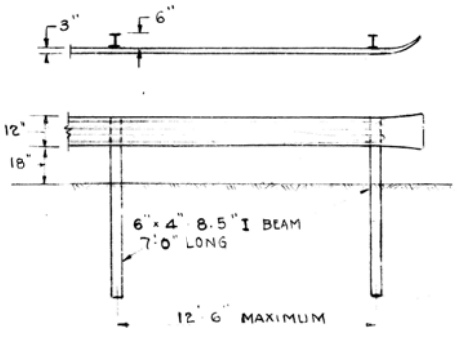
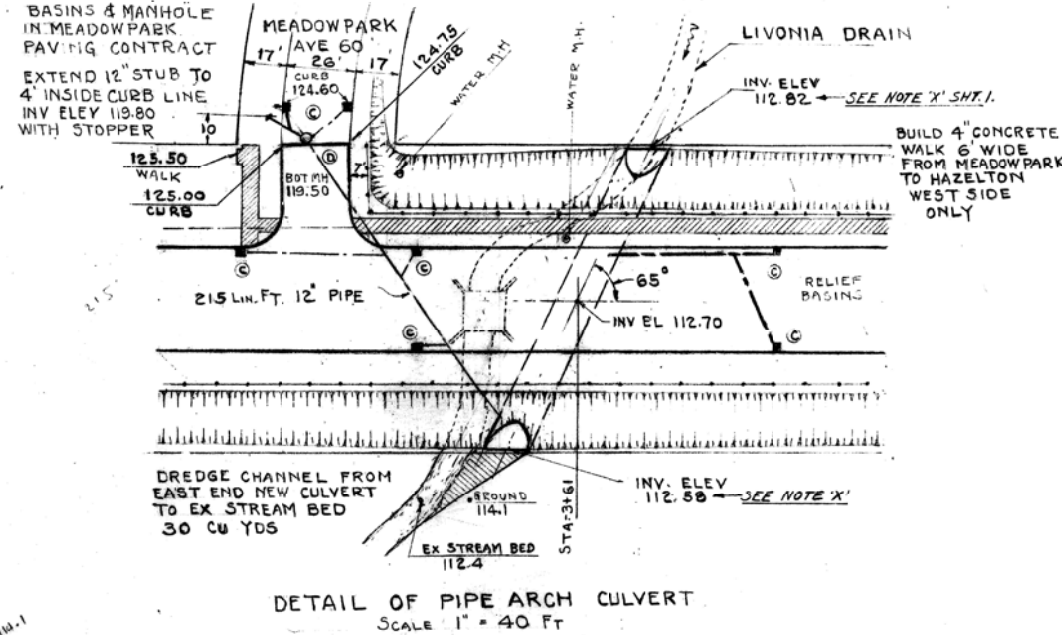
QUANTITIES	ESTIMATED	
	LOTS	CITY
EXCAVATION CU. YDS.		
NEW CURB LIN. FT.		
PAVING LIN. FT.		
TEST CORES		
SIDEWALK		
HANDHOLES	ADJUST	
	CONSTRUCT	
*ASINS	ADJUST	
	CONSTRUCT	
SEWER-12"	LIN. FT.	

FEETION NO. FCC	DATE 6-4-57
ASSIGNMENT NO.	GROUP NO.
BOOK NO.	LEVEL DATE
DATE OF DRAWG.	

MADE BY	CHECKED BY
ESTIMATE	SEWER APPROVED
FINAL CHECK	APPROVED
CITY ENGINEER	

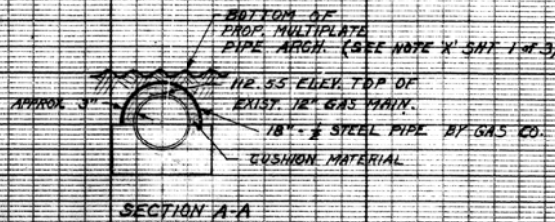
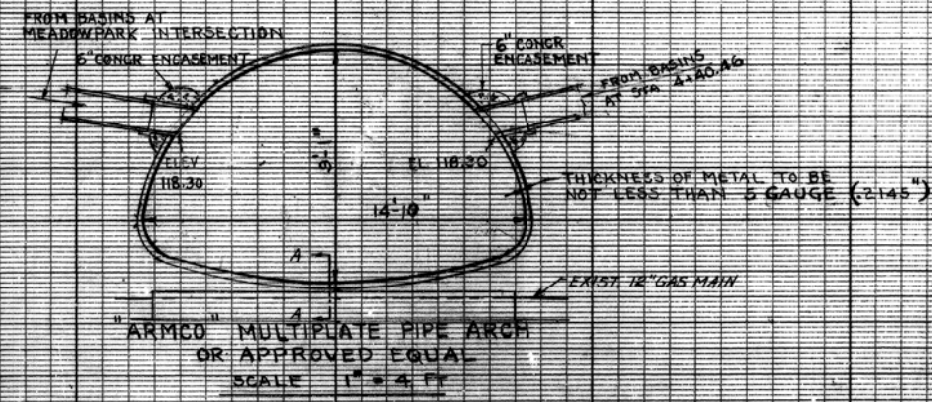
INDEX NO.	77
TOPO NO.	117
INDEXED	1

CONTRACT NO. P.W. 3249 F
STREET PAVING PLAN
CITY OF DETROIT
 DEPARTMENT OF PUBLIC WORKS - CITY ENGINEERS OFFICE
 NAME OF STREET **WEST PARKWAY**
 FROM **959.2' S OF S.L. CHICAGO**
 TO **33' N OF S.L. CHICAGO**
 TYPE OF PAVEMENT B & B. ONE COURSE CONCRETE INTEGRAL CURB
 B' UNIFORM AT STREET INTERSECTION EXCEPT AS NOTED
 FORCED COMMON COUNCIL 6-4-57
 BENCH MARKS ELEV.



FOR LOTS ONLY

#	STA.	SIZE	NO.
0173	6' ASH	1	
0177	6' ASH	2	
0185	6' ASH	1	
2110	8' ASH	1	
2116	14\"/>		



411392

EXISTING

FOR INFORMATION ONLY

DO NOT WORK FROM THIS SHEET. THE INFORMATION SHOWN HERE IS FOR REFERENCE ONLY. NO PAY ITEMS ARE SHOWN.

DESCRIPTION	DR.	CHK.	DATE	BY	CHECKED BY	APPROVED
PLAN						
GRADE						
ESTIMATE						
FINAL						

CITY OF DETROIT
 CITY ENGINEERING DIVISION - D.P.W.
 BUREAUS OF STREETS AND HIGHWAYS
 FOR

WEST PARKWAY CULVERT OVER ASHCROFT - SHERWOOD DRAIN

EXISTING PLAN

SHEET 31 OF 39 SHEETS
CONTRACT NO. PW-6987
ASSIGNMENT NO.
DATE 01/24/2018