

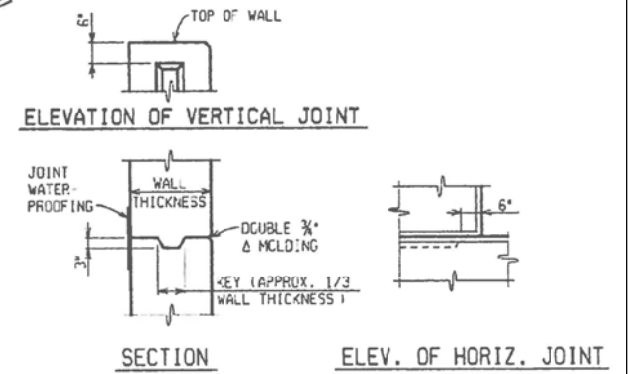
PLAN OF PEDESTAL WALL

SUBSTRUCTURE CONCRETE QUANTITIES

POUR	FTG A	FTG B
A	31	31
B	5	5
C	5	5
D	5	5

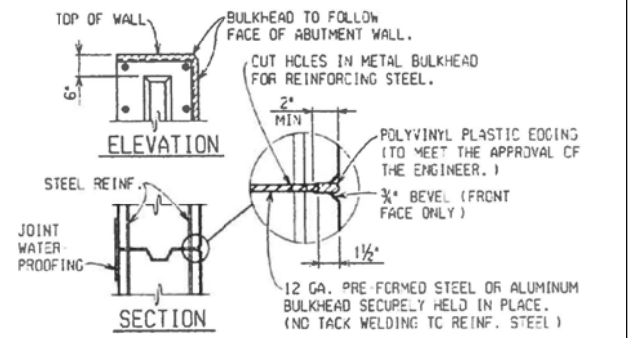
MISCELLANEOUS QUANTITIES

WALL A	WALL B	TOTAL	
36	36	72 CYD	CONC. GRADE T
46	46	92 CYD	SUBSTRUCTURE CONC.
4319	4319	8638 LB	REINFORCEMENT STEEL EXPOXY COATED
15	15	30 SFT	JOINT WATERPROOFING



CONSTRUCTION JOINT DETAILS

NOTE: WHERE OPTIONAL CONSTRUCTION JOINTS ARE USED, THERE WILL BE NO PAYMENT FOR THE REQUIRED JOINT WATERPROOFING.



NOTES:

METAL BULKHEAD MAY BE USED AS ALTERNATE CONSTRUCTION JOINT AT CONTRACTOR'S EXPENSE. CARE IS TO BE USED IN CASTING CONCRETE AROUND BULKHEAD TO PREVENT DISLOCATION OR MISALIGNMENT OF THE BULKHEAD.

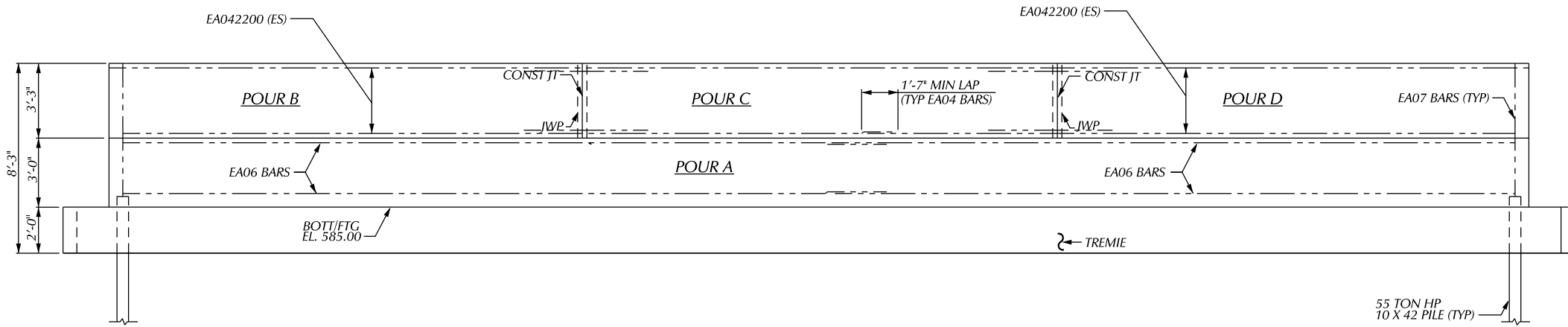
THE SUBSTRUCTURE DESIGN IS BASED ON A FACTORED MAXIMUM VERTICAL LOAD OF 20 KIPS/FT AND A HORIZONTAL LOAD OF 8 KIPS/FT.

JWP DENOTES JOINT WATERPROOFING.
FOR PILE QUANTITIES, LAYOUT AND NOTES, SEE SHEET ____.

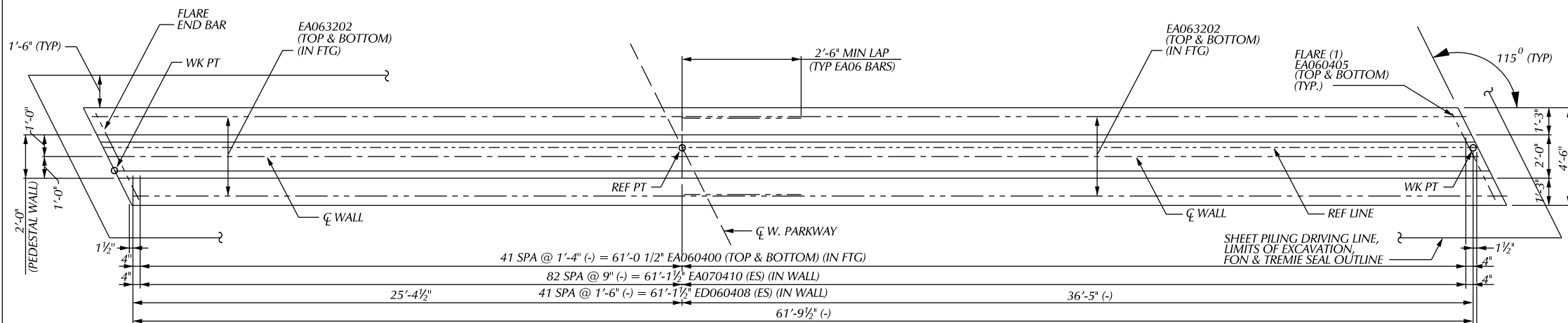
LOW TEMPERATURE PROTECTION OF CONCRETE SHALL BE APPLIED ACCORDING TO SECTION 706.03) OF THE STANDARD SPECIFICATIONS FOR CONSTRUCTION.

LOW TEMPERATURE PROTECTION OF CONCRETE WILL NOT PAID FOR SEPARATELY BUT WILL INCLUDED IN THE BID ITEM FOR "SUBSTRUCTURE CONC" AND "CONCRETE GRADE T".

ES - DENOTES EACH SIDE



ELEVATION - PEDESTAL WALL



PLAN OF FOOTINGS
(FTG A SHOWN, FTG B OPPOSITE)

BY	CHECKED BY	APPROVED:
PLAN		
GRADE		
ESTIMATE		
DESCRIPTION	DR	CHK
REVISIONS	DATE	

CITY OF DETROIT
CITY ENGINEERING DIVISION - D.P.W.
BUREAUS OF STREETS AND HIGHWAYS
FOR

WEST PARKWAY CULVERT OVER ASHCROFT - SHERWOOD DRAIN

CULVERT SUBSTRUCTURE DETAILS

SHEET 33 OF 39 SHEETS
CONTRACT NO. PW-6987
ASSIGNMENT NO.
DATE 01/24/2018