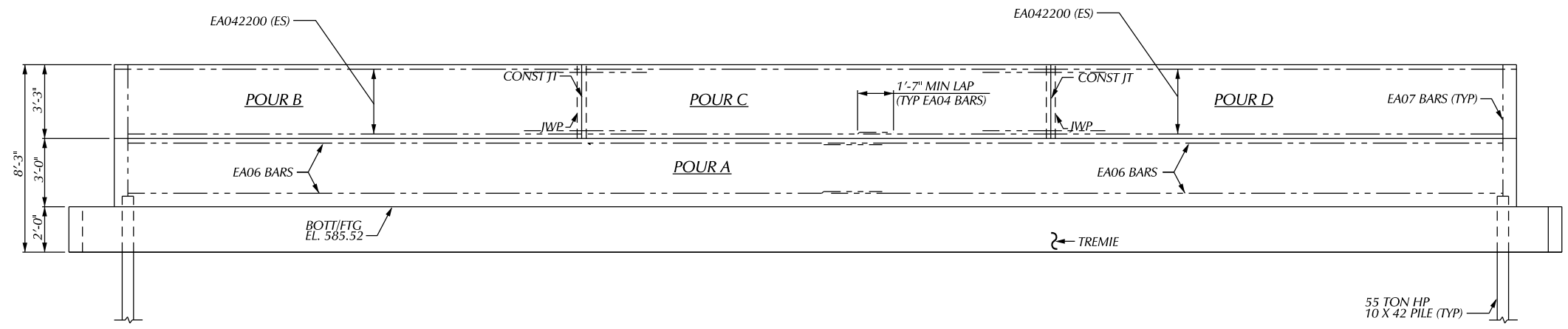


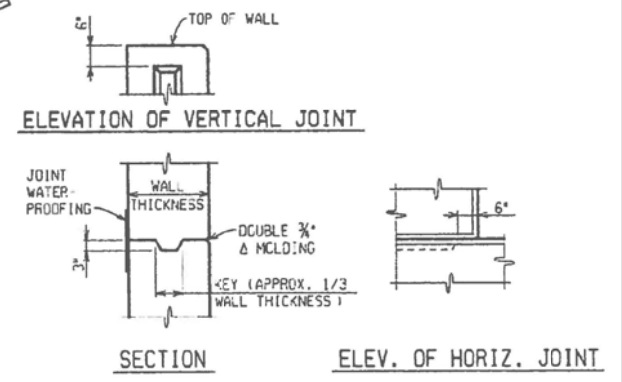
PLAN OF PEDESTAL WALL

SUBSTRUCTURE CONCRETE QUANTITIES		
POUR	FTG A	FTG B
A	31	31
B	5	5
C	5	5
D	5	5

MISCELLANEOUS QUANTITIES			
WALL A	WALL B	TOTAL	
36	36	72 CYD	CONC. GRADE T
46	46	92 CYD	SUBSTRUCTURE CONC.
4319	4319	8638 LB	REINFORCEMENT STEEL, EPOXY COATED
15	15	30 SFT	JOINT WATERPROOFING

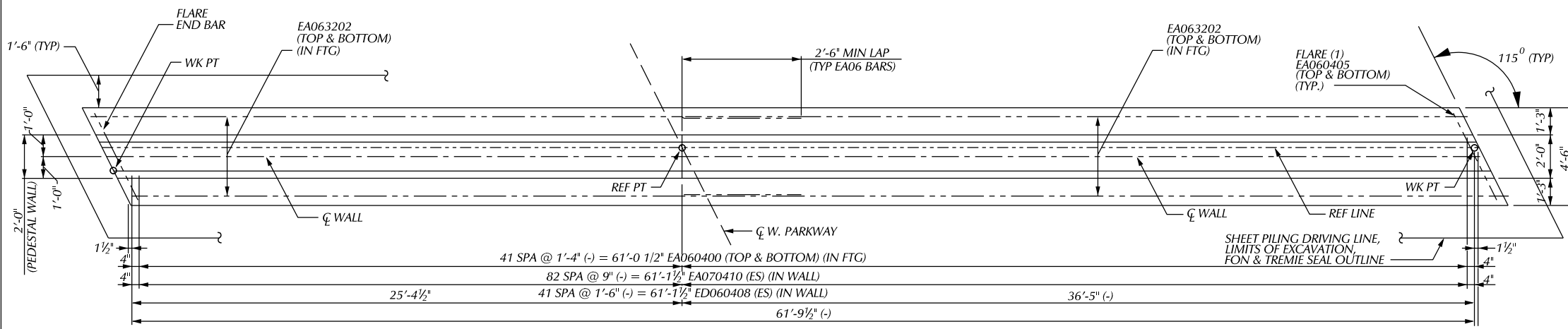


ELEVATION - PEDESTAL WALL

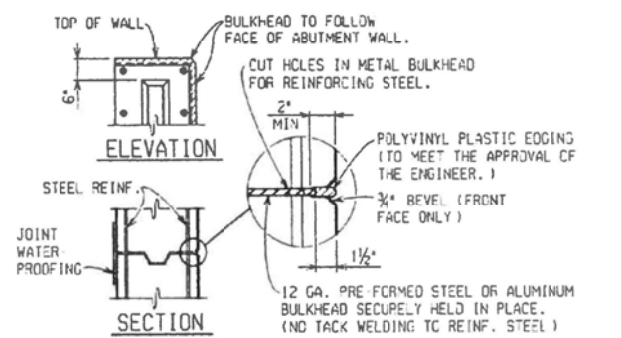


CONSTRUCTION JOINT DETAILS

NOTE: WHERE OPTIONAL CONSTRUCTION JOINTS ARE USED, THERE WILL BE NO PAYMENT FOR THE REQUIRED JOINT WATERPROOFING.



PLAN OF FOOTINGS
(FTG A SHOWN, FTG B OPPOSITE)



METAL BULKHEAD DETAILS

NOTES: METAL BULKHEAD MAY BE USED AS ALTERNATE CONSTRUCTION JOINT AT CONTRACTOR'S EXPENSE. CARE IS TO BE USED IN CASTING CONCRETE AROUND BULKHEAD TO PREVENT DISLOCATION OR MISALIGNMENT OF THE BULKHEAD.

NOTES:

THE SUBSTRUCTURE DESIGN IS BASED ON A FACTORED MAXIMUM VERTICAL LOAD OF 20 KIPS/FT AND A HORIZONTAL LOAD OF 8 KIPS/FT.

JWP DENOTES JOINT WATERPROOFING.

FOR PILE QUANTITIES, LAYOUT AND NOTES, SEE SHEET ____.

LOW TEMPERATURE PROTECTION OF CONCRETE SHALL BE APPLIED ACCORDING TO SECTION 706.03J OF THE STANDARD SPECIFICATIONS FOR CONSTRUCTION.

LOW TEMPERATURE PROTECTION OF CONCRETE WILL NOT PAID FOR SEPARATELY BUT WILL INCLUDED IN THE BID ITEM FOR "SUBSTRUCTURE CONC" AND "CONCRETE GRADE T".

ES - DENOTES EACH SIDE

PLAN	BY	CHECKED BY	APPROVED:
GRADE			
ESTIMATE			
DESCRIPTION	OR	DATE	
REVISIONS	FINAL	DATE	

CITY OF DETROIT
CITY ENGINEERING DIVISION - D.P.W.
BUREAU OF STREETS AND HIGHWAYS
FOR

WEST PARKWAY CULVERT OVER ASHCROFT - SHERWOOD DRAIN

CULVERT SUBSTRUCTURE DETAILS

SHEET 33 OF 39 SHEETS
CONTRACT NO. PW-6987
ASSIGNMENT NO.
DATE 01/24/2018