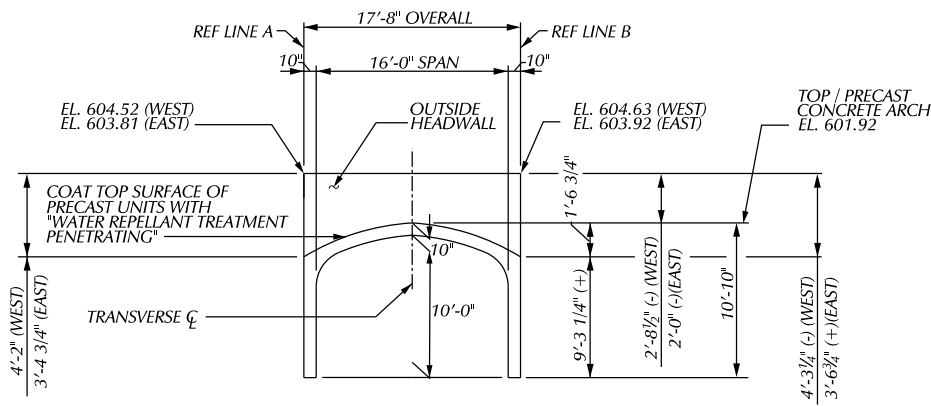
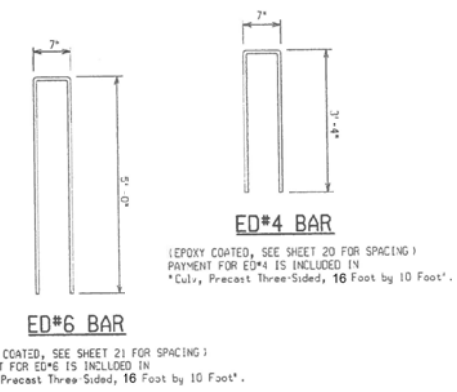


PLAN

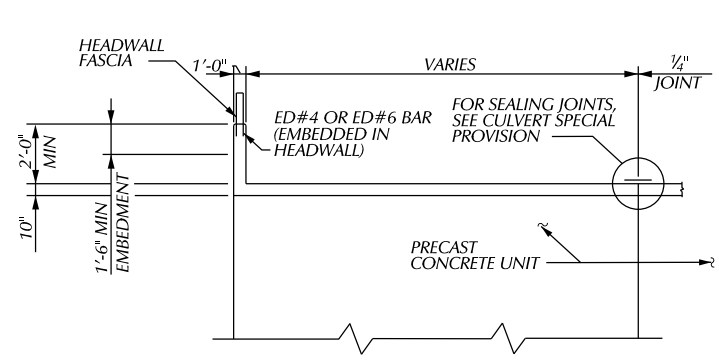


SECTION A-A (WEST HEADWALL)  
SECTION D-D (EAST HEADWALL)  
(ED BARS NOT SHOWN)

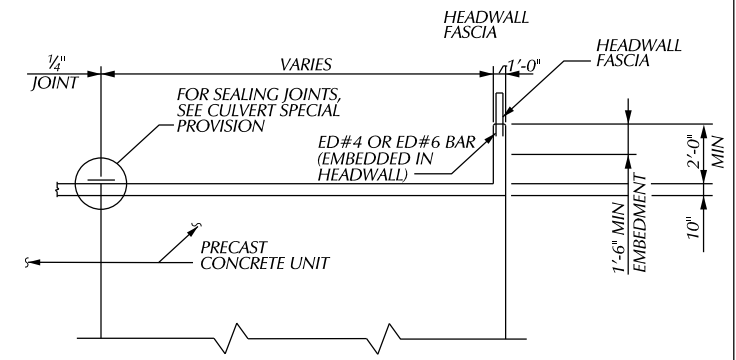


MISCELLANEOUS QUANTITIES	
62 FT	CULV, PRECAST THREE-SIDED OR ARCH, 16 FOOT BY 10 FOOT
100 SYD	WATER REPELLANT TREATMENT, PENETRATING

**NOTES:**  
DESIGN ALL CULVERT / HEADWALL CONNECTIONS FOR TRAFFIC LOADS.



SECTION B-B



SECTION C-C

DESCRIPTION	DATE	BY	CHECKED BY	APPROVED:
PLAN				
GRADE				
ESTIMATE				
FINAL				

CITY OF DETROIT  
CITY ENGINEERING DIVISION - D.P.W.  
BUREAUS OF STREETS AND HIGHWAYS  
FOR

WEST PARKWAY CULVERT OVER ASHCROFT - SHERWOOD DRAIN  
**CONCRETE ARCH DETAILS**

SHEET 35 OF 39 SHEETS
CONTRACT NO. PW-6987
ASSIGNMENT NO.
DATE 01/24/2018