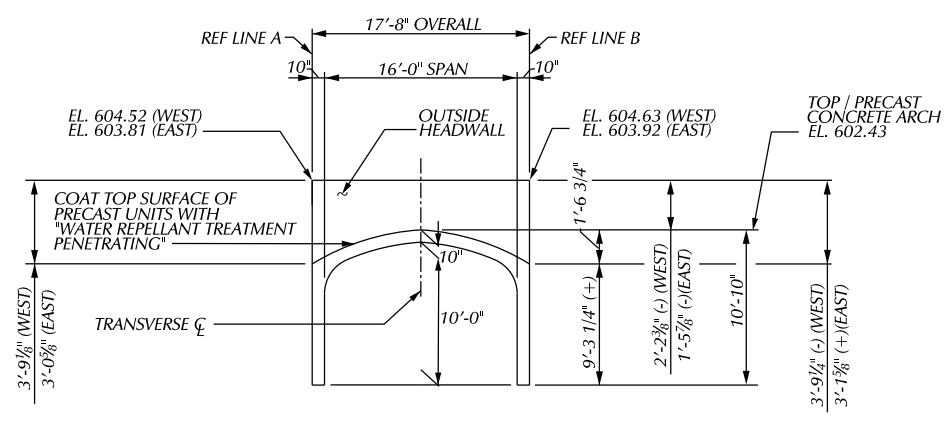
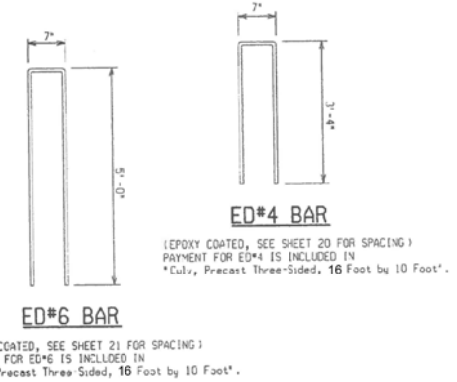


PLAN



SECTION A-A (WEST HEADWALL)
SECTION D-D (EAST HEADWALL)
(ED BARS NOT SHOWN)

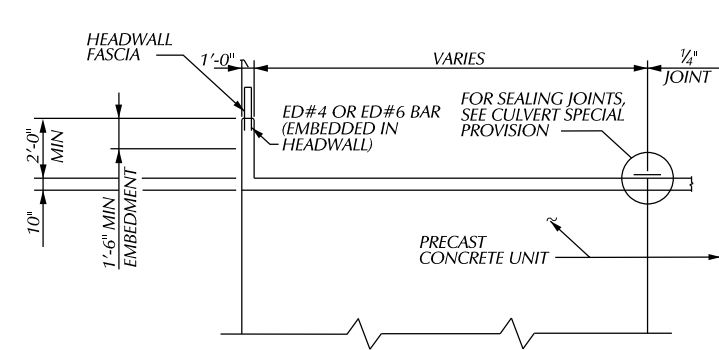


MISCELLANEOUS QUANTITIES

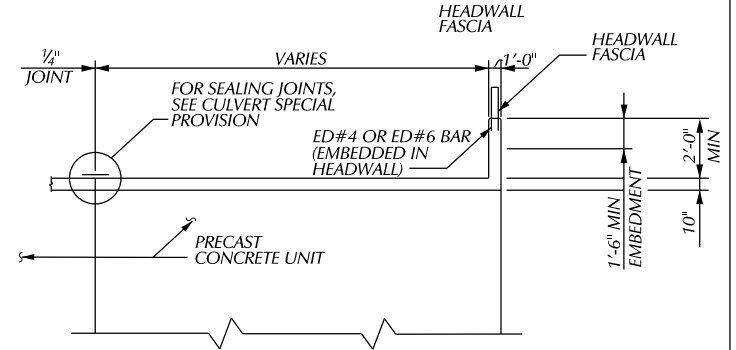
62 FT	CULV, PRECAST THREE-SIDED OR ARCH, 16 FOOT BY 10 FOOT
100 SYD	WATER REPELLANT TREATMENT, PENETRATING

NOTES:

DESIGN ALL CULVERT / HEADWALL CONNECTIONS FOR TRAFFIC LOADS.



SECTION B-B



SECTION C-C

BY	CHECKED BY	APPROVED
PLAN		
GRADE		
ESTIMATE		
DESCRIPTION	DR	CHK
REVISIONS	DATE	BY

CITY OF DETROIT
CITY ENGINEERING DIVISION - D.P.W.
BUREAUS OF STREETS AND HIGHWAYS
FOR

WEST PARKWAY CULVERT OVER ASHCROFT - SHERWOOD DRAIN
CONCRETE ARCH DETAILS

SHEET 35 OF 39 SHEETS
CONTRACT NO. PW-6987
ASSIGNMENT NO.
DATE 01/24/2018