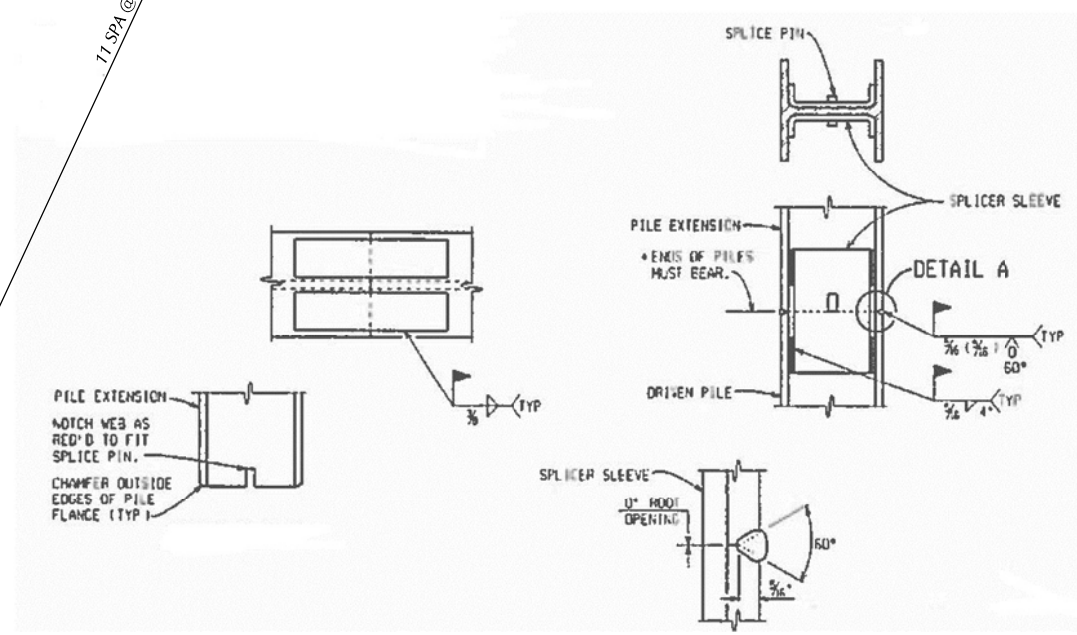
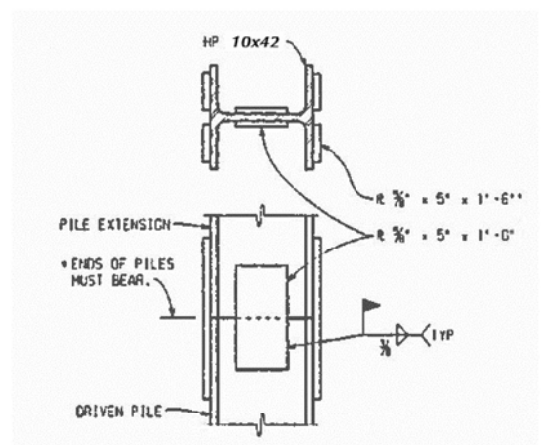


**FTG A**  
**FTG B**  
**PILE LAYOUT**



**NOTCH DETAIL**  
**DETAIL A**  
**ALTERNATE SPLICE DETAILS**



**SPLICE DETAILS**

\* SET PILE EXTENSION IN PLACE WITH SPLICE PLATES ATTACHED. TAP SEVERAL TIMES WITH THE HAMMER TO IMPROVE BEARING CONTACT, THEN COMPLETE WELDING OF PLATES TO THE LOWER SECTION.

55 TON STEEL "H" PILES					
LOCATION	PILE TYPE	NUMBER OF PILES	ESTIMATED LENGTH FURNISHED & DRIVEN		CUT-OFF ELEV.
			EACH LFT	TOTAL LFT	
FTG A	TEST	2	35	70	566.00
	VERTICAL	10	25	250	566.00
FTG B	TEST	2	30	70	566.00
	VERTICAL	10	25	250	566.00
TOTAL				640	

MISCELLANEOUS QUANTITIES	
1 LS	PILE DRIVING EQUIPMENT, FURN
640 FT	PILE STEEL, FURN AND DRIVEN, 10 INCH
4 EA	TEST PILE, STEEL 10 INCH
24 EA	PILE POINT, STEEL

**NOTES:**

- H - DENOTES VERTICAL PILES.
- ⊕ - DENOTES VERTICAL TEST PILES.
- ALL PILES SHALL BE DRIVEN TO A MINIMUM BEARING CAPACITY OF 55 TONS.
- STEEL PILES SHALL BE HP 10 X 42.
- ESTIMATED PILE PENETRATIONS HAVE BEEN DETERMINED BY USE OF THE STATIC FORMULA.
- THE PILE DRIVING FORMULAS IN THE STANDARD SPECIFICATIONS ARE NOT TO BE USED TO DETERMINE BATTERED PILE CAPACITY. BATTERED PILES ARE TO BE DRIVEN TO THE ELEVATION ESTABLISHED FOR VERTICAL PILES.
- THE USE OF VIBRATORY HAMMERS FOR INSTALLING H-PILES SHALL NOT BE ALLOWED.

DESCRIPTION	DR	CHK	DATE	BY	CHECKED BY	APPROVED:
PLAN						
GRADE						
ESTIMATE						
FINAL						

CITY OF DETROIT  
CITY ENGINEERING DIVISION - D.P.W.  
BUREAUS OF STREETS AND HIGHWAYS  
FOR

WEST PARKWAY CULVERT OVER ASHCROFT - SHERWOOD DRAIN  
**CULVERT H PILE DETAILS**

SHEET	OF	SHEETS
CONTRACT		
NO.		
ASSIGNMENT		
NO.		
DATE		