

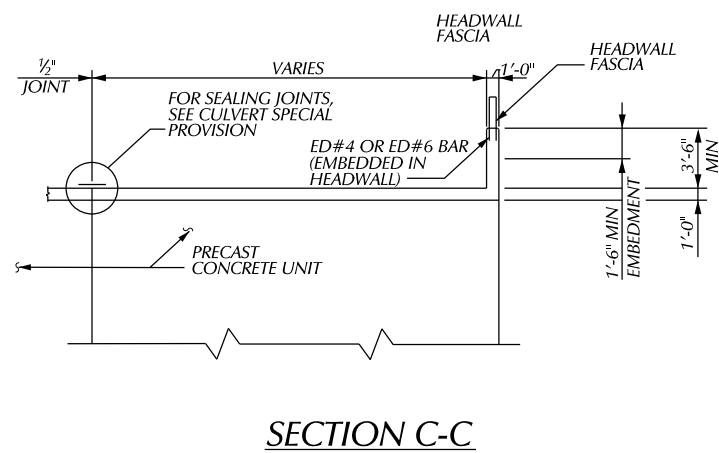
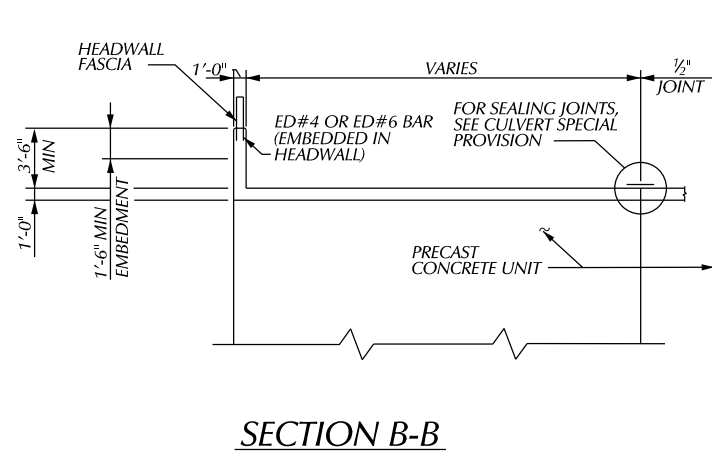
MISCELLANEOUS QUANTITIES

___ FT	CULV, PRECAST THREE-SIDED OR ARCH, ___ FOOT BY ___ FOOT
___ SYD	WATER REPELLANT TREATMENT, PENETRATING

NOTES:

DESIGN ALL CULVERT / HEADWALL CONNECTIONS FOR TRAFFIC LOADS.

PAYMENT FOR TEXTURING ON HEADWALLS SHALL BE INCLUDED IN, "CULV, PRECAST THREE-SIDED, ___ FOOT BY ___ FOOT. SEE SPECIAL PROVISION FOR TEXTURING CONCRETE. THE FORM LINERS FOR THE HEADWALL MUST BE THE SAME AS THOSE USED ON THE SHEET PILING WALLS.



PLAN	BY	CHECKED BY	APPROVED:
GRADE			ENGINEER OF STRUCTS
ESTIMATE			
DESCRIPTION	DR	CHK	DATE
REVISIONS	FINAL	****	****

CITY OF DETROIT
CITY ENGINEERING DIVISION - D.P.W.
BUREAUS OF STREETS AND HIGHWAYS
FOR

WEST PARKWAY CULVERT OVER ROUGE RIVER

CONCRETE ARCH DETAILS

SHEET	OF	SHEETS
CONTRACT		
NO.		
ASSIGNMENT		
NO.		
DATE		