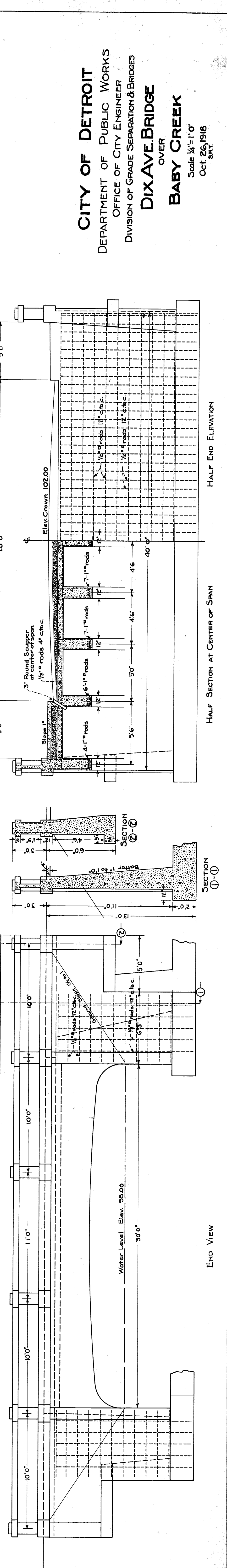
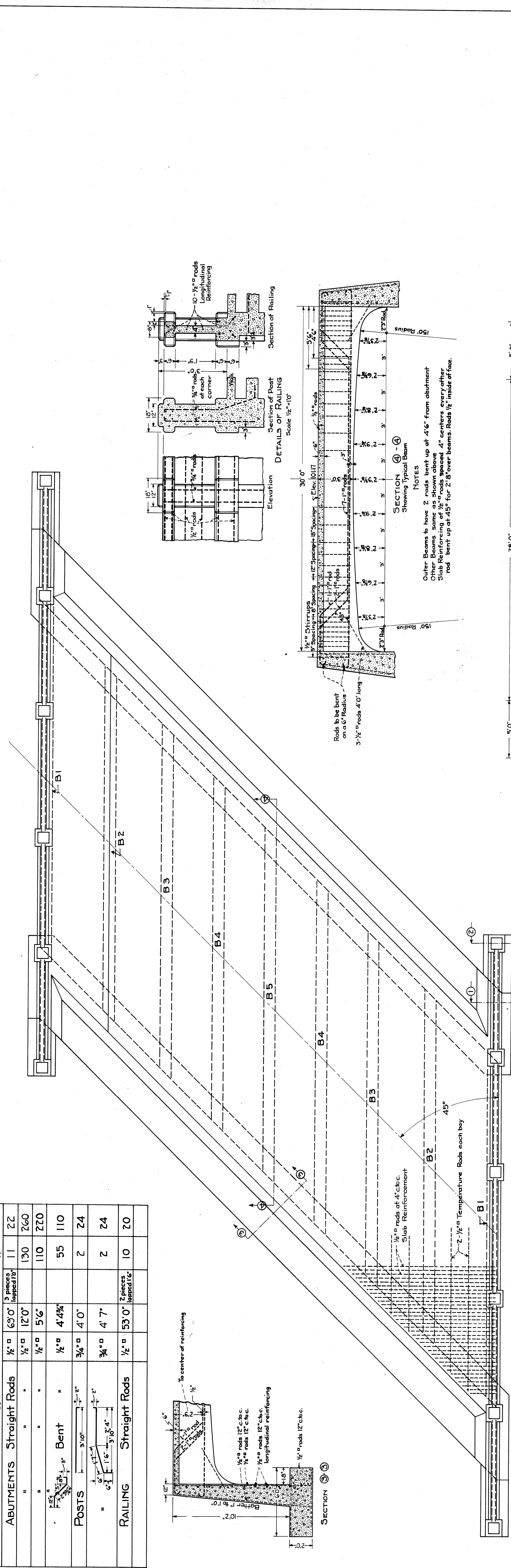
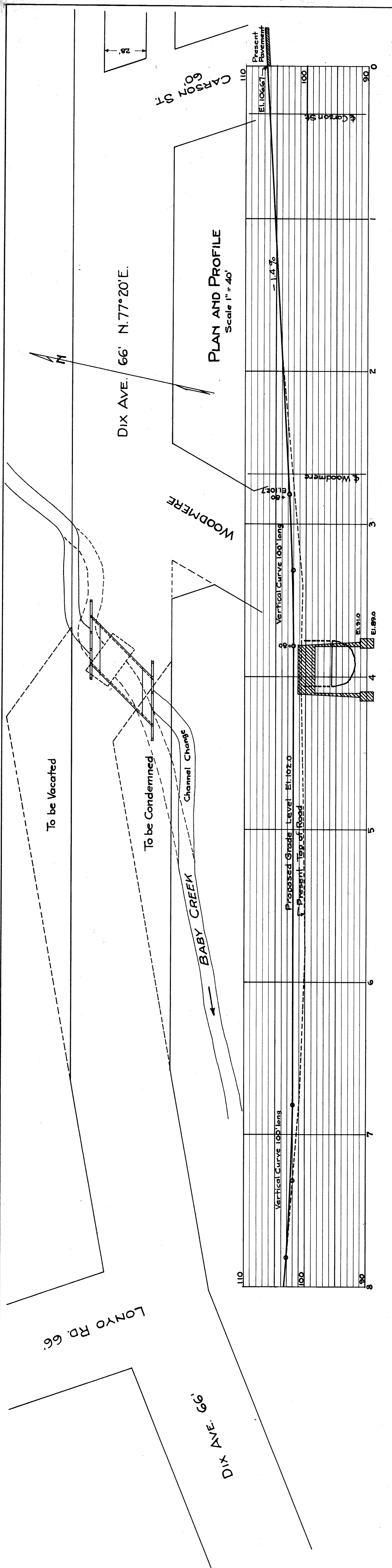


BEAMS - Bending of Rods	Size	Length	For Beam Marked	Each Beam	Total No. Wanted
	1" \square	35' 4 1/2"	B1, B2 B3, B4 B5	2	18
	1" \square	35' 4 1/2"	B2, B3 B4, B5	1	7
	1" \square	34' 4"	B3, B4, B5 B2	4 2	30
STIRRUPS	1/2" \square	8' 3 3/4"	B1, B2 B3, B4 B5	38	342
BRACKETS	1/2" \square	4' 0"	Ends bent down 3" at 30°	6	54
SLABS	1/2" \square	40' 0"		48	48
Bent Rods	1/2" \square	4' 2 1/2"		48	48
ABUTMENTS	1/2" \square	63' 0"	2 pieces opposite	11	22
"	1/2" \square	12' 0"		130	260
"	1/2" \square	5' 6"		110	220
Bent	1/2" \square	4' 4 3/4"		55	110
Posts	3/4" \square	4' 0"		2	24
"	3/4" \square	4' 7"		2	24
RAILING	1/2" \square	53' 0"	2 pieces opposite	10	20

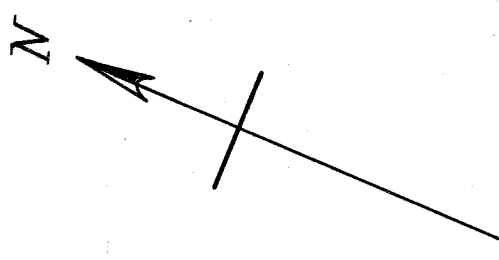


CITY OF DETROIT
 DEPARTMENT OF PUBLIC WORKS
 OFFICE OF CITY ENGINEER
 DIVISION OF GRADE SEPARATION & BRIDGES

DIX AVE. BRIDGE
 OVER
BABY CREEK

Scale 1/4" = 1' 0"
 Oct. 26, 1918
 S.M.T.

File BW259-1



BRICK PIT POND

LONOY RD. 66'

To be VACATED
AREA 622,771 sq. ft.

To be CONDEMNED
AREA 512,305 sq. ft.

VARATION CHANGE
1858 TO PLATTED
BEARING WOODMERE = 4° 05'
50/As
100

DIX AVE. 66' N77° 20'E
347.70

CARSON 60' N31'W

INGLIS 50'

66' N17° 25'E
143.22

WOODMERE

N. 80° 30' W. 3.32 CH.
2.19/12'

N. 58° 15' E. 7.1582'
32.10H

2.35.81

2.94.11

383.04

2.17.52

2.66.85

CONC. RD. 12' WIDE

BABY CREEK

CITY OF DETROIT
DEPARTMENT OF PUBLIC WORKS
DIVISION OF GRADE SEPARATION & BRIDGES
STRAIGHTENING OF DIX AVE.

SCALE 1" = 40'
OCT. 17, 1918

File BW 259-2

CITY OF DETROIT
DEPARTMENT OF PUBLIC WORKS
OFFICE OF CITY ENGINEER
STRAIGHTENING OF DIX AVE.

Scale 1" = 40'
Oct 17, 1918

