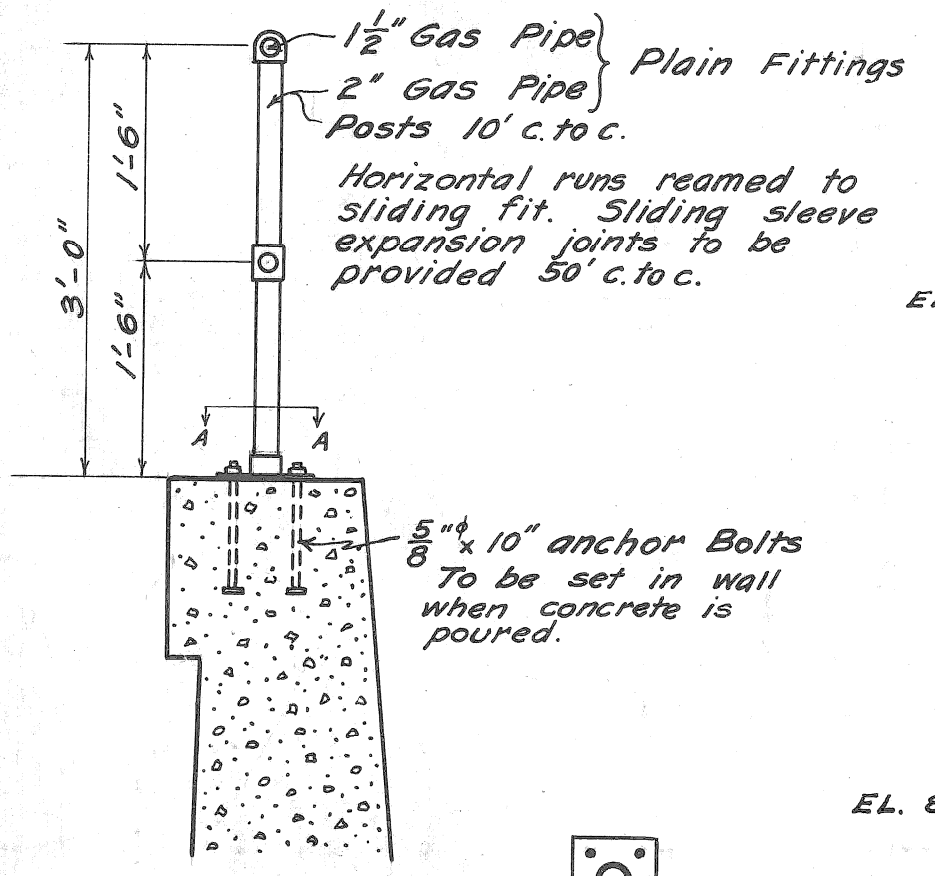
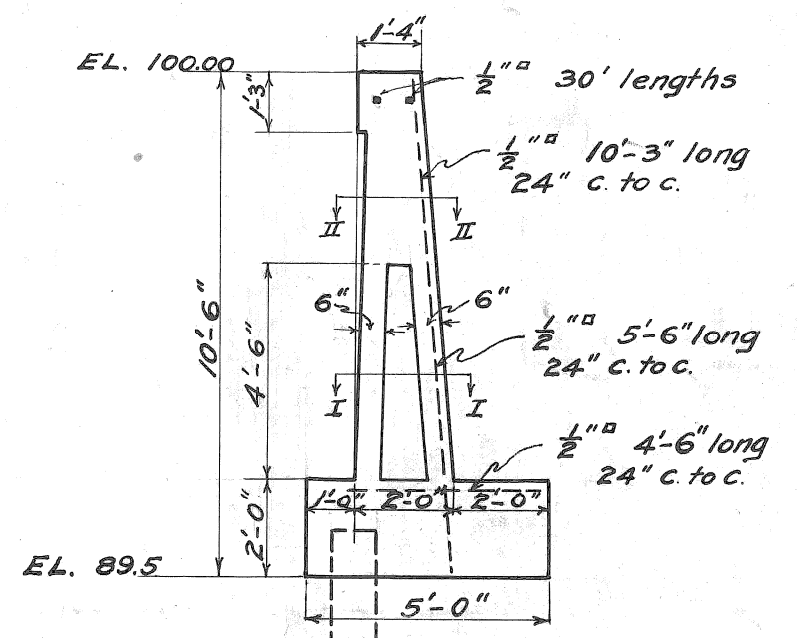


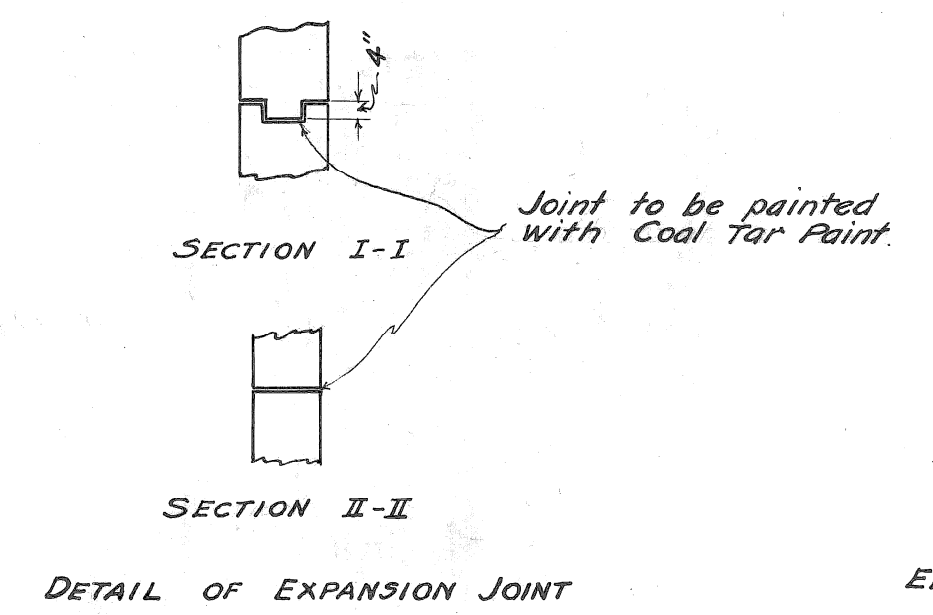
Hand rail to extend full length of wall



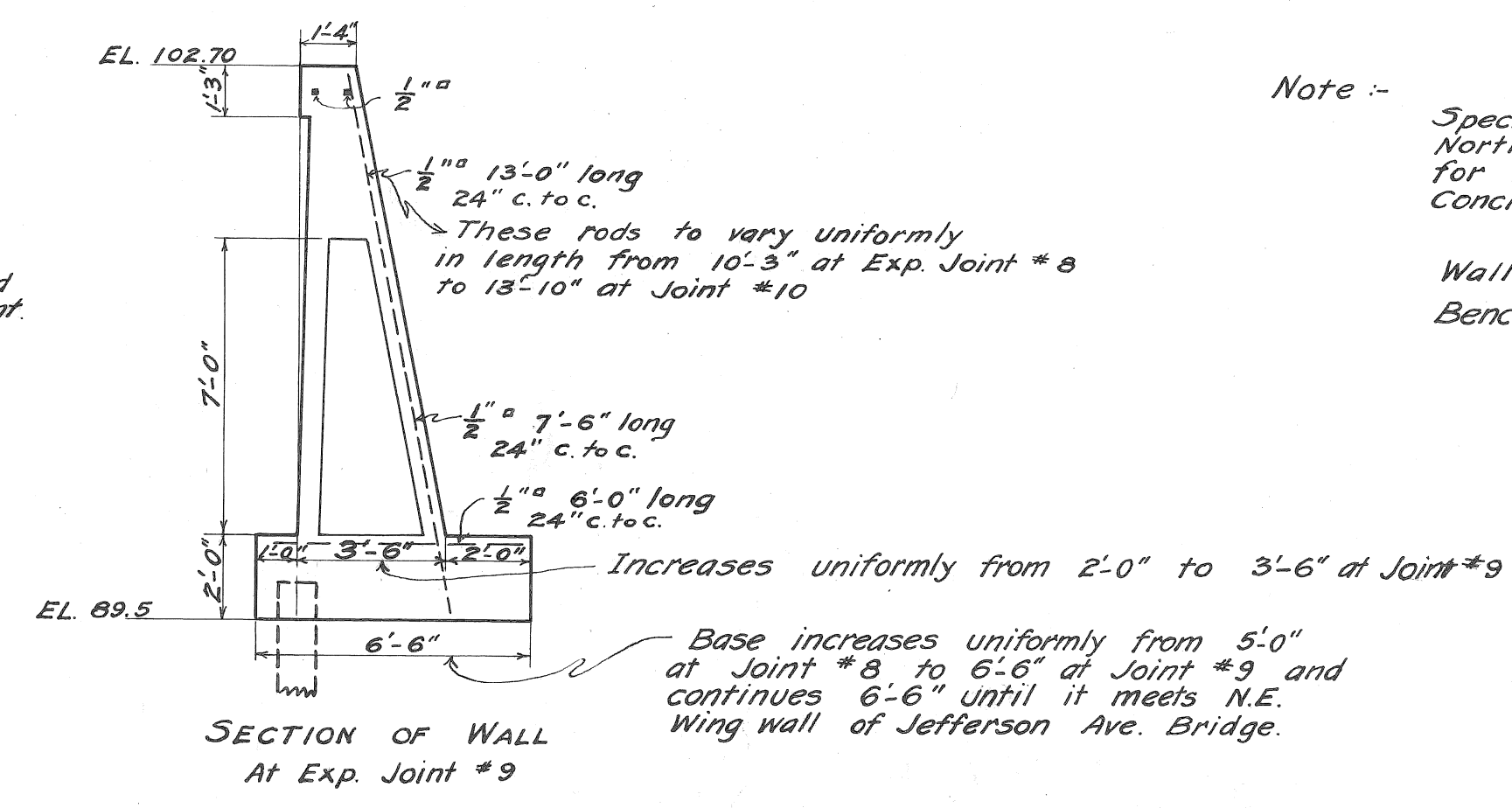
SECTION A-A



SECTION OF WALL Between Exp Joints #1 and #8



DETAIL OF EXPANSION JOINT



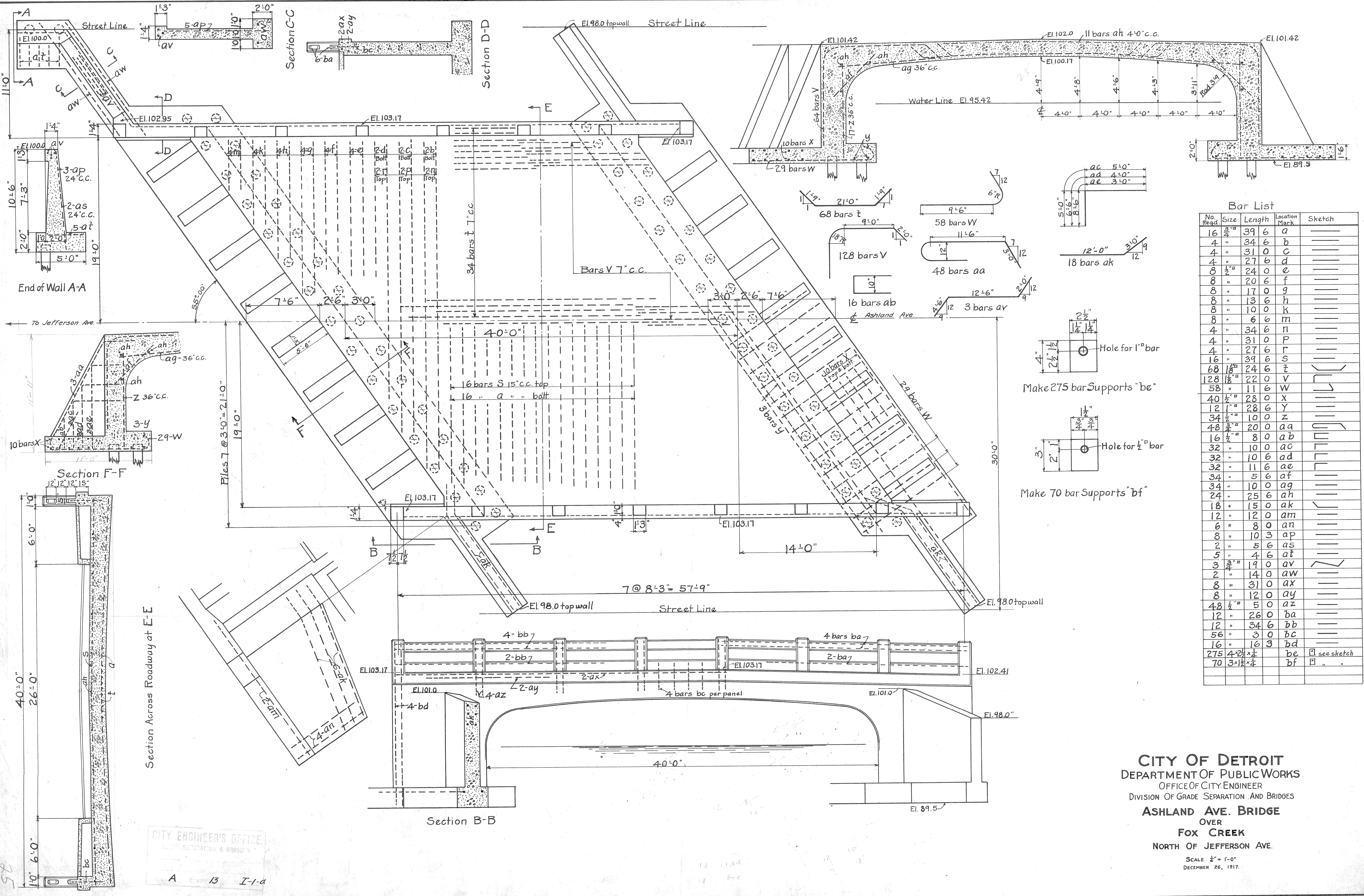
SECTION OF WALL At Exp Joint #9

Note :-
 Specifications for Ashland Ave Bridge, North of Jefferson, to be followed for material and workmanship for concrete wall.
 Wall to be poured in alternate sections
 Bench Mark : N.E. Corner Jefferson & Alter Road on top of stone base of stone and brick column EL. 102.172 (see Grade Separation Book #12-p.39.)

CITY ENGINEER'S OFFICE
 GRADE SEPARATION & BRIDGES
 CASE A DRAWING 13-I No. 1-d

CITY OF DETROIT
 DEPARTMENT OF PUBLIC WORKS
 OFFICE OF CITY ENGINEER
 DIVISION OF GRADE SEPARATION AND BRIDGES
LOCATION MAP
RETAINING WALL ALONG FOX CREEK
ON ASHLAND AVE.
NORTH OF JEFFERSON AVE.
 SCALE: 1" = 20'
 1918.

File BW 245-2

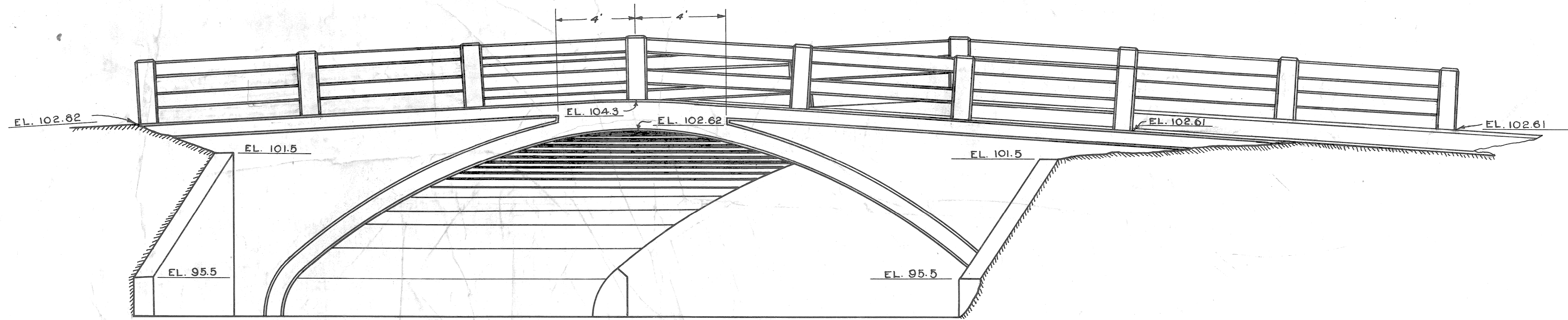


Bar List

No. Req'd.	Size	Length	Location Mark	Sketch
16	3/4"	39 6	a	
4	"	34 6	b	
4	"	31 0	c	
4	"	27 6	d	
8	1/2"	24 0	e	
8	"	20 6	f	
8	"	17 0	g	
8	"	13 6	h	
8	"	10 0	k	
8	"	6 6	m	
4	"	34 6	n	
4	"	31 0	p	
4	"	27 6	r	
16	"	39 6	s	
68	1/8"	24 6	t	
128	1/8"	22 0	v	
58	"	11 6	w	
40	1/2"	28 0	x	
12	1"	28 6	y	
34	1/2"	10 0	z	
48	1/2"	20 0	aa	
16	1/2"	8 0	ab	
32	"	10 0	ac	
32	"	10 6	ad	
32	"	11 6	ae	
34	"	5 6	af	
34	"	10 0	ag	
24	"	25 6	ah	
18	"	15 0	ak	
12	"	12 0	am	
6	"	8 0	an	
8	"	10 3	ap	
2	"	5 6	as	
5	"	4 6	at	
3	3/4"	19 0	av	
2	"	14 0	aw	
8	"	31 0	ax	
8	"	12 0	ay	
48	1/2"	5 0	az	
12	"	26 0	ba	
12	"	34 6	bb	
56	"	3 0	bc	
16	"	16 3	bd	
275	4/8"	x 1/2	be	see sketch
70	3/4"	x 1/2	bf	"

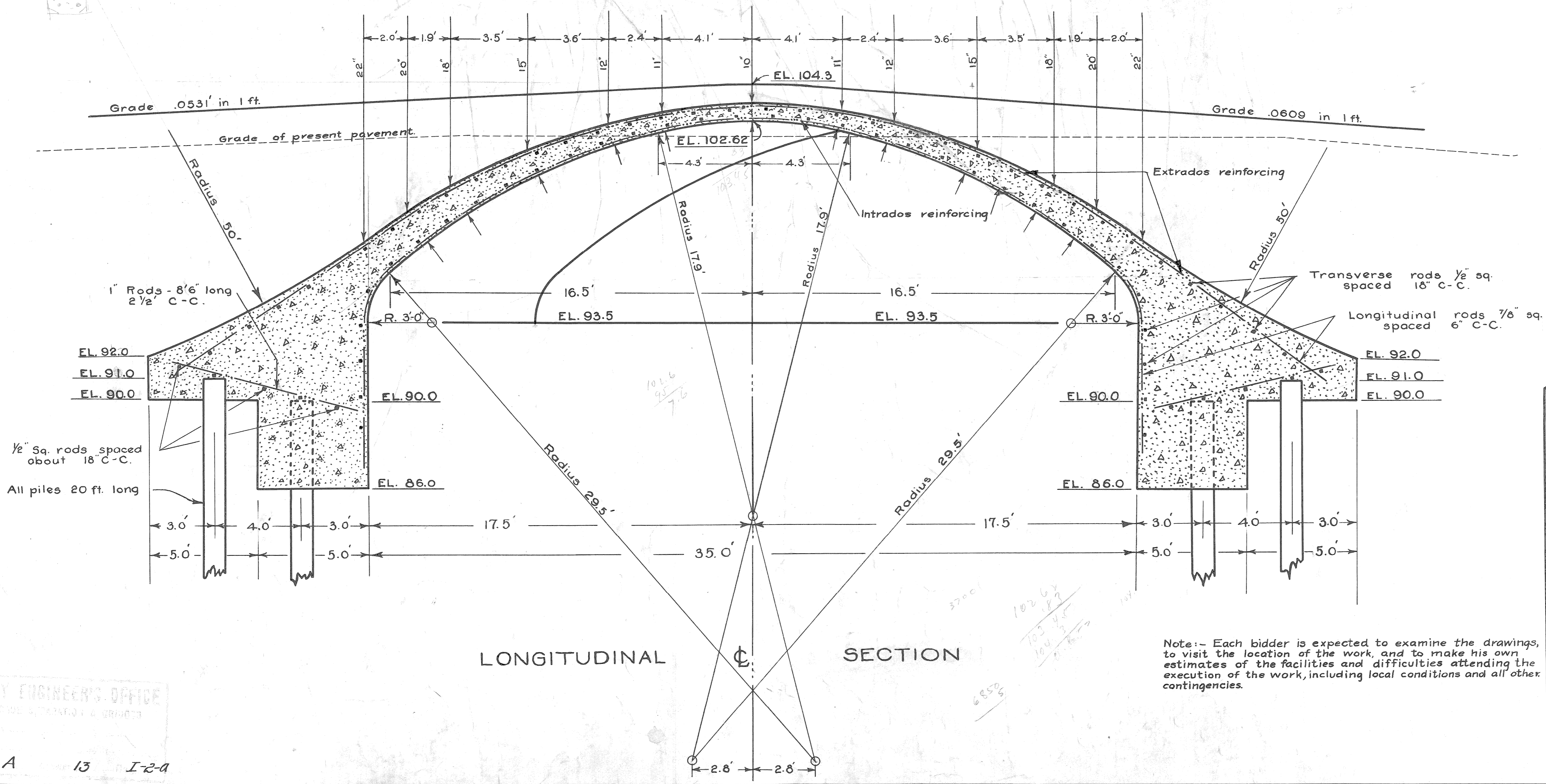
CITY OF DETROIT
 DEPARTMENT OF PUBLIC WORKS
 OFFICE OF CITY ENGINEER
 DIVISION OF GRADE SEPARATION AND BRIDGES
ASHLAND AVE. BRIDGE
 OVER
FOX CREEK
 NORTH OF JEFFERSON AVE.
 SCALE 1/4" = 1'-0"
 DECEMBER 26, 1917.

CITY ENGINEER'S OFFICE
 GRADE SEPARATION & BRIDGES
 A 13 I-1-a



ELEVATION

Note: All pavements, sidewalks, and such portion of fill as is not obtained from excavations made in course of bridge construction, will be made by the City of Detroit.



LONGITUDINAL SECTION

APPROVED: *Chauncey W. Hubbell*
City Engineer

APPROVED: *J. R. Anderson*
Asst Engineer

**ASHLAND AVE. BRIDGE
OVER FOX CREEK
SOUTH OF EAST JEFFERSON
CONCRETE ARCH**

CITY OF DETROIT
CITY ENGINEER'S OFFICE
AUGUST 21, 1917.

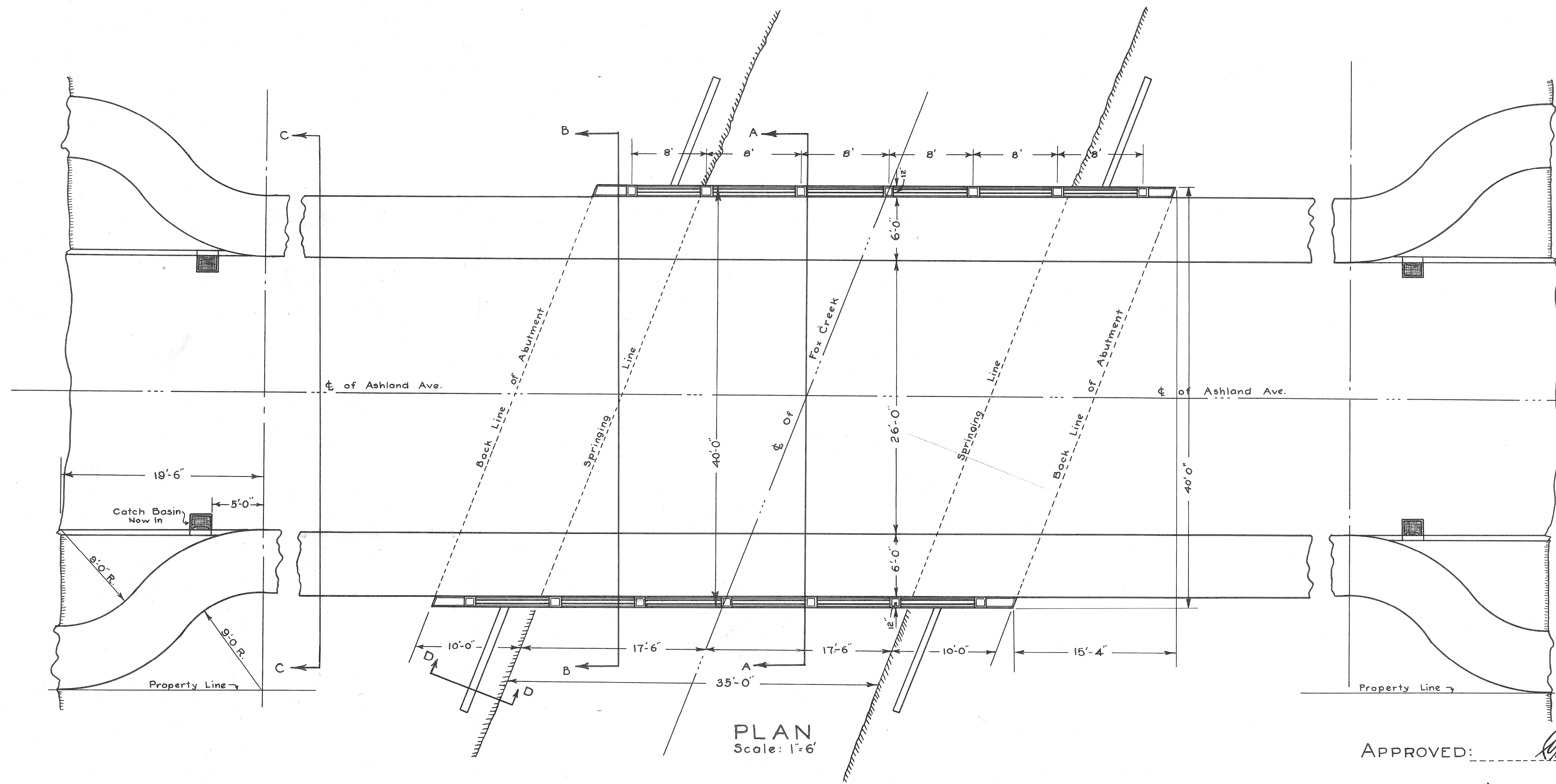
Note: - Each bidder is expected to examine the drawings, to visit the location of the work, and to make his own estimates of the facilities and difficulties attending the execution of the work, including local conditions and all other contingencies.

CITY ENGINEER'S OFFICE
ENGINE ARCHITECTS & SURVEYORS

Scale: 1" = 3' Computed: *MLB* Drawn: *MLB* Checked: *MLB* Traced: *MLB*

A-13 II-1
File BW 245-5

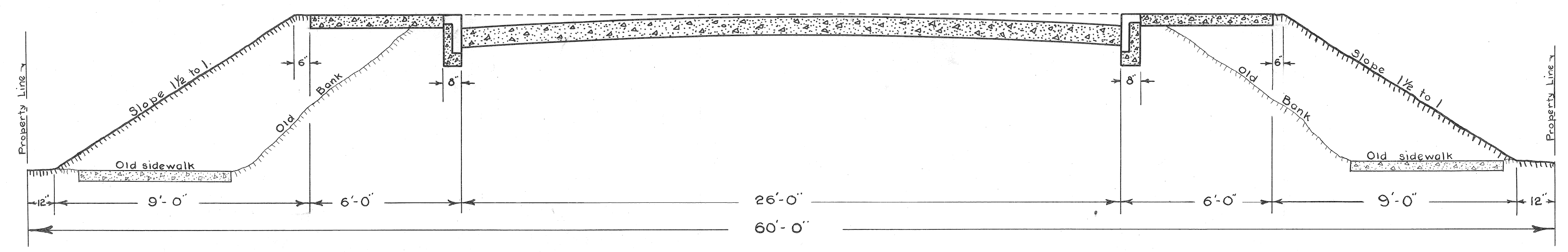
CITY ENGINEERS OFFICE
A 13 I-26



PLAN
Scale: 1" = 6'

APPROVED: *Charles H. Hubbell*
City Engineer

APPROVED: *J. H. Hubbell*
Asst Engineer



SECTION C-C
Scale: 1" = 3'

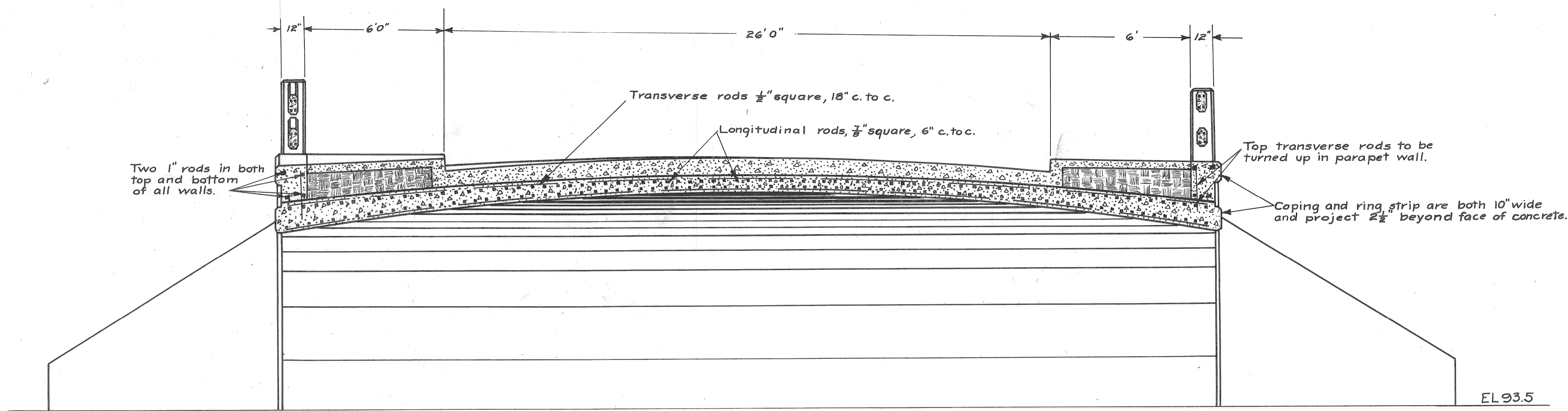
**ASHLAND AVE. BRIDGE
OVER FOX CREEK
SOUTH OF EAST JEFFERSON
CONCRETE ARCH**

CITY OF DETROIT
CITY ENGINEERS OFFICE
AUGUST 21, 1917.

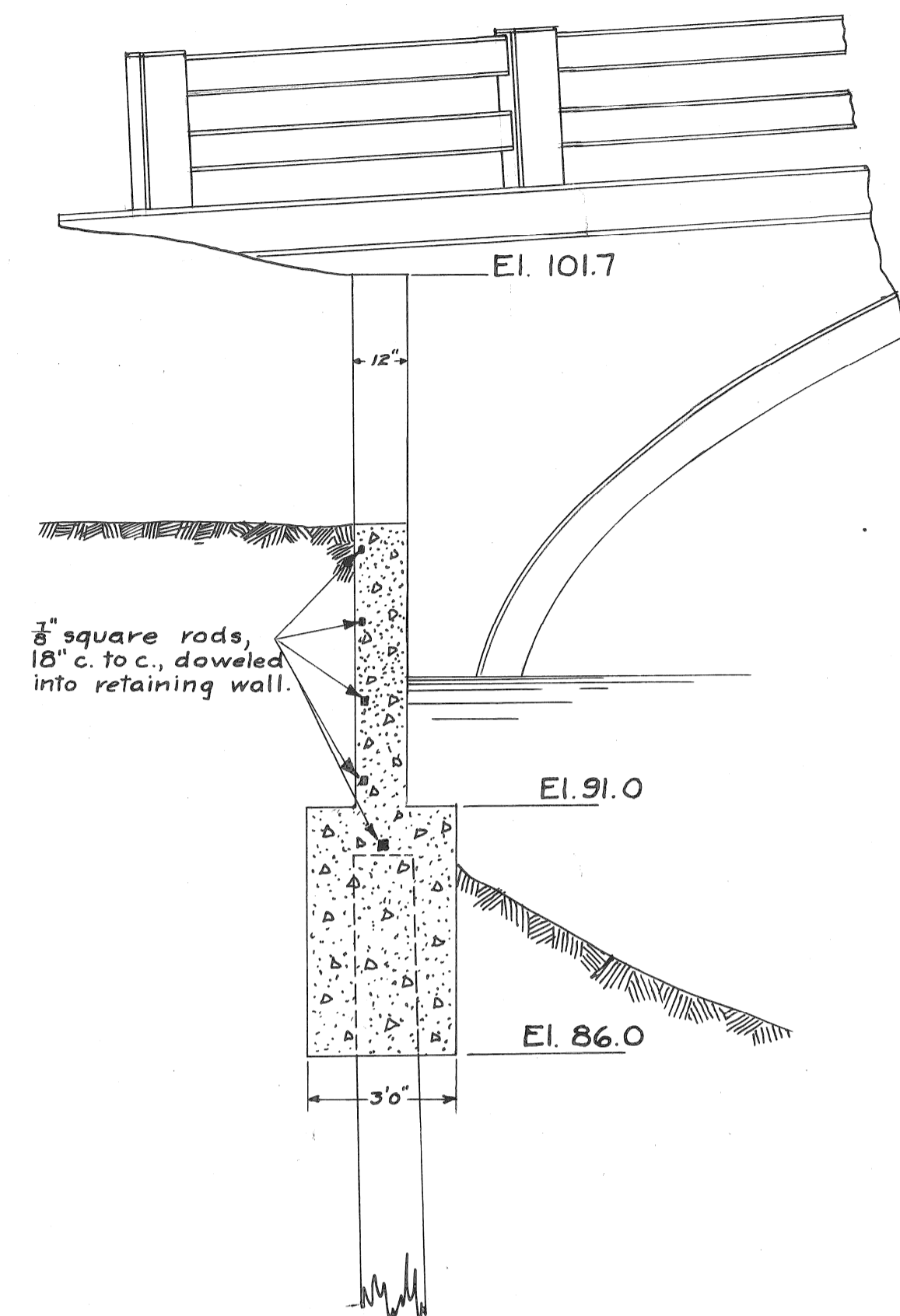
Scale: As Shown | Computed: *MB* | Drawn: *M.B.* | Checked: *MB* | Traced: *M.B.*

A-13 II-2
File BW 245-6

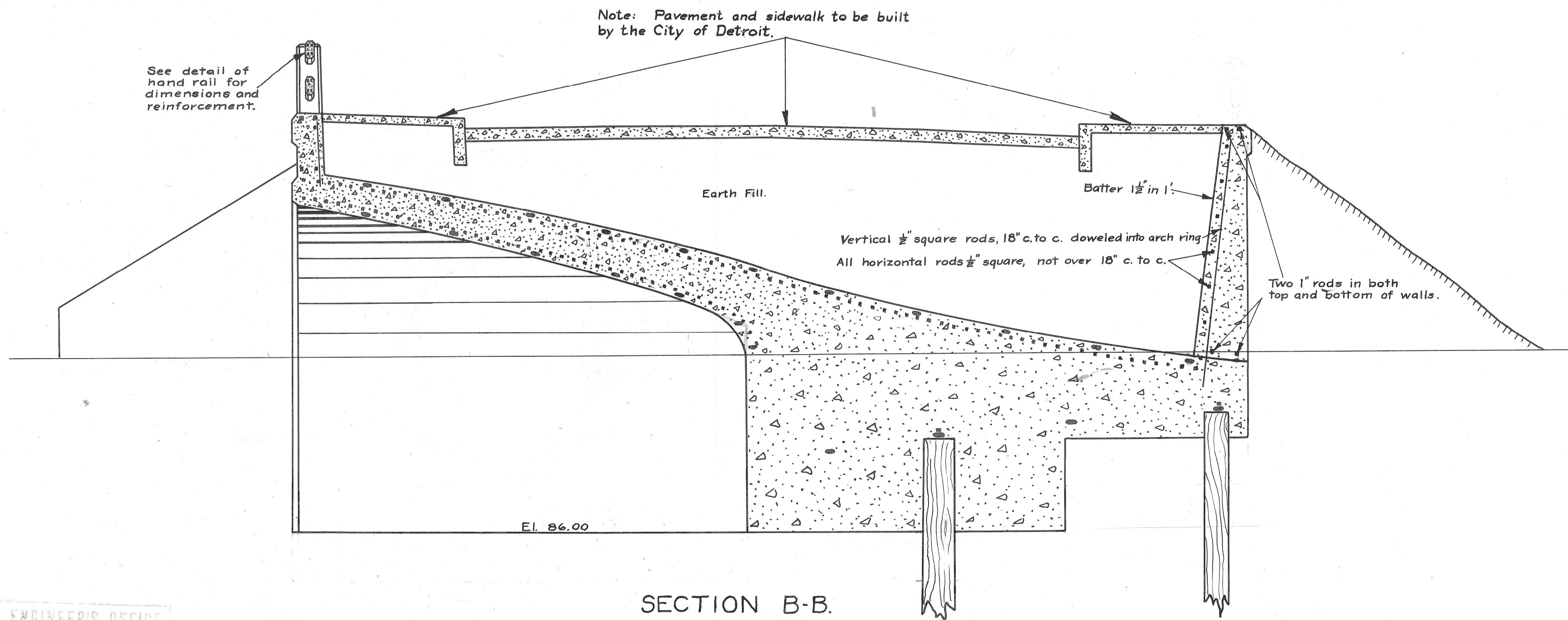
27



SECTION A-A.



SECTION D-D.



SECTION B-B.

APPROVED: *Arthur H. Hubbell*
City Engineer

APPROVED: *J. H. Anderson*
Asst. Engineer

ASHLAND AVE. BRIDGE
OVER FOX CREEK
SOUTH OF EAST JEFFERSON
CONCRETE ARCH

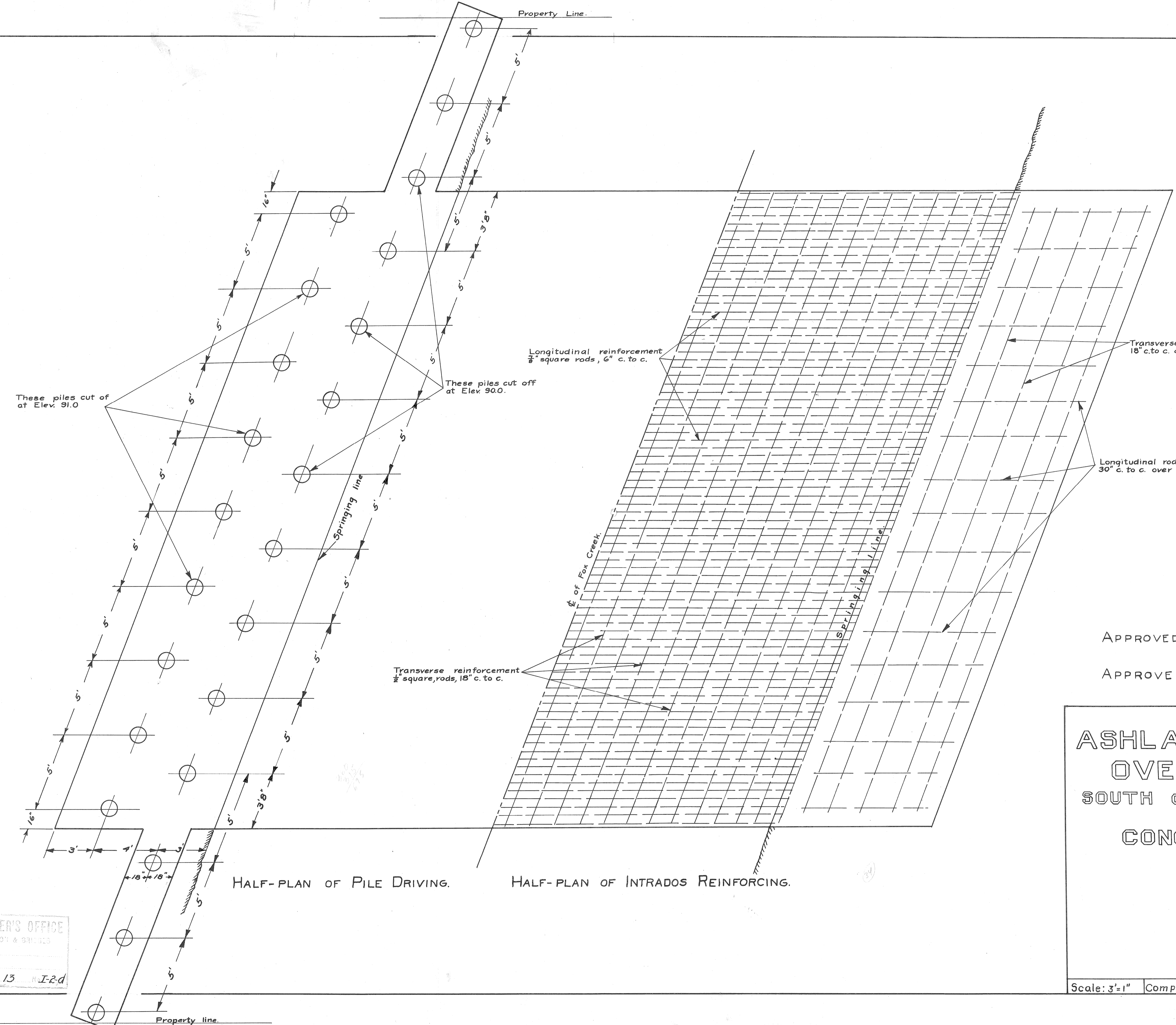
CITY OF DETROIT
CITY ENGINEER'S OFFICE.
AUGUST 21, 1917.

CITY ENGINEER'S OFFICE
GRADE SEPARATION & BRIDGES

Case A Drawn 13 I-2-C

Scale: 3"=1" Computed: *JH* Drawn: *JH* Checked: *JH* Traced: *JH*

A-13 II-3
File BW 245-7



APPROVED: *Charles Hubbell*
City Engineer.

APPROVED: *J. M. ...*
Ass't Engineer.

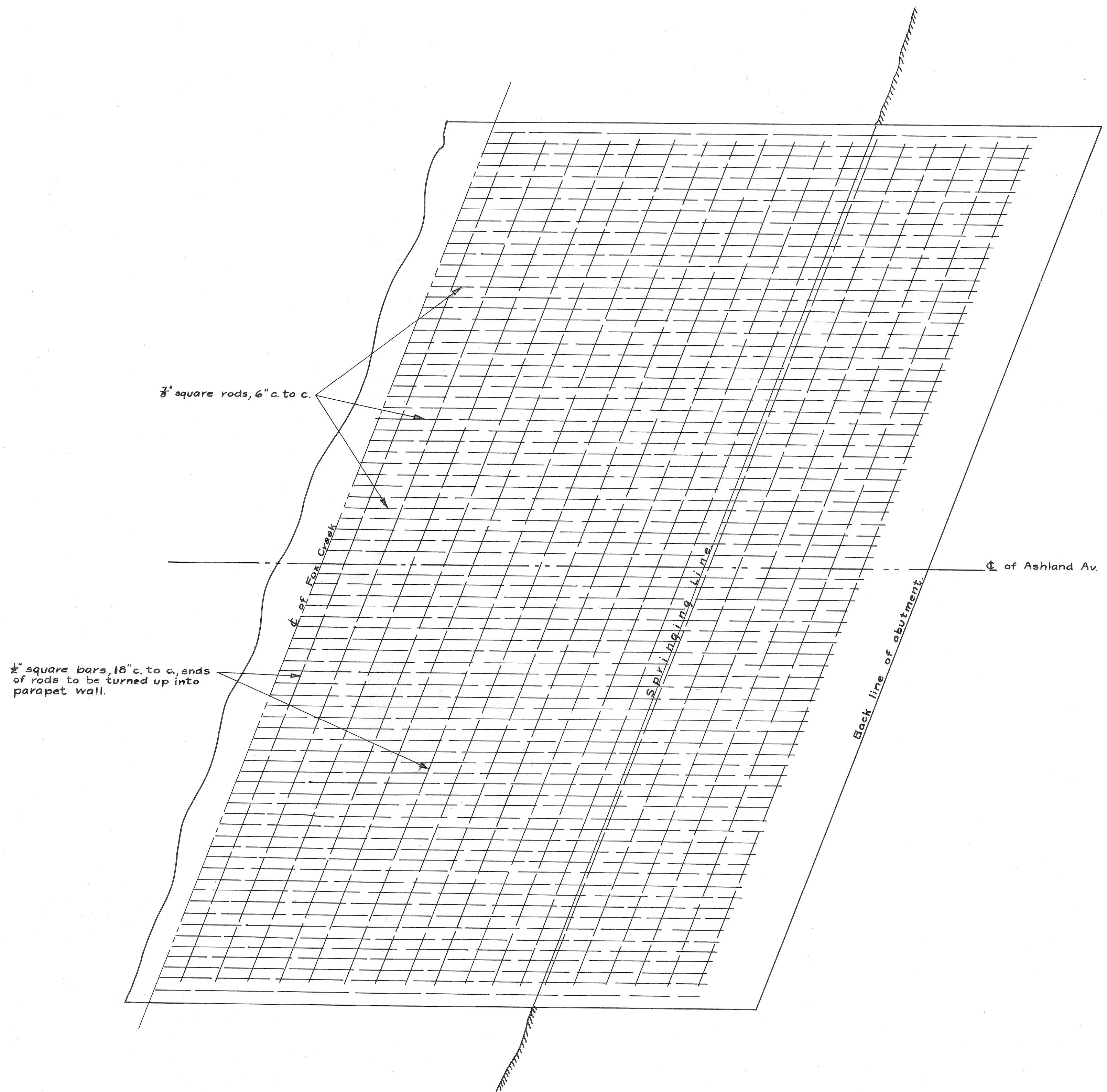
**ASHLAND AVE. BRIDGE
OVER FOX CREEK
SOUTH OF EAST JEFFERSON
CONCRETE ARCH**

CITY OF DETROIT
CITY ENGINEER'S OFFICE
AUGUST 21, 1917

CITY ENGINEER'S OFFICE
GRADE DEPARTMENT & BRIDGES
Case A Drawn 13 No. I-2-d

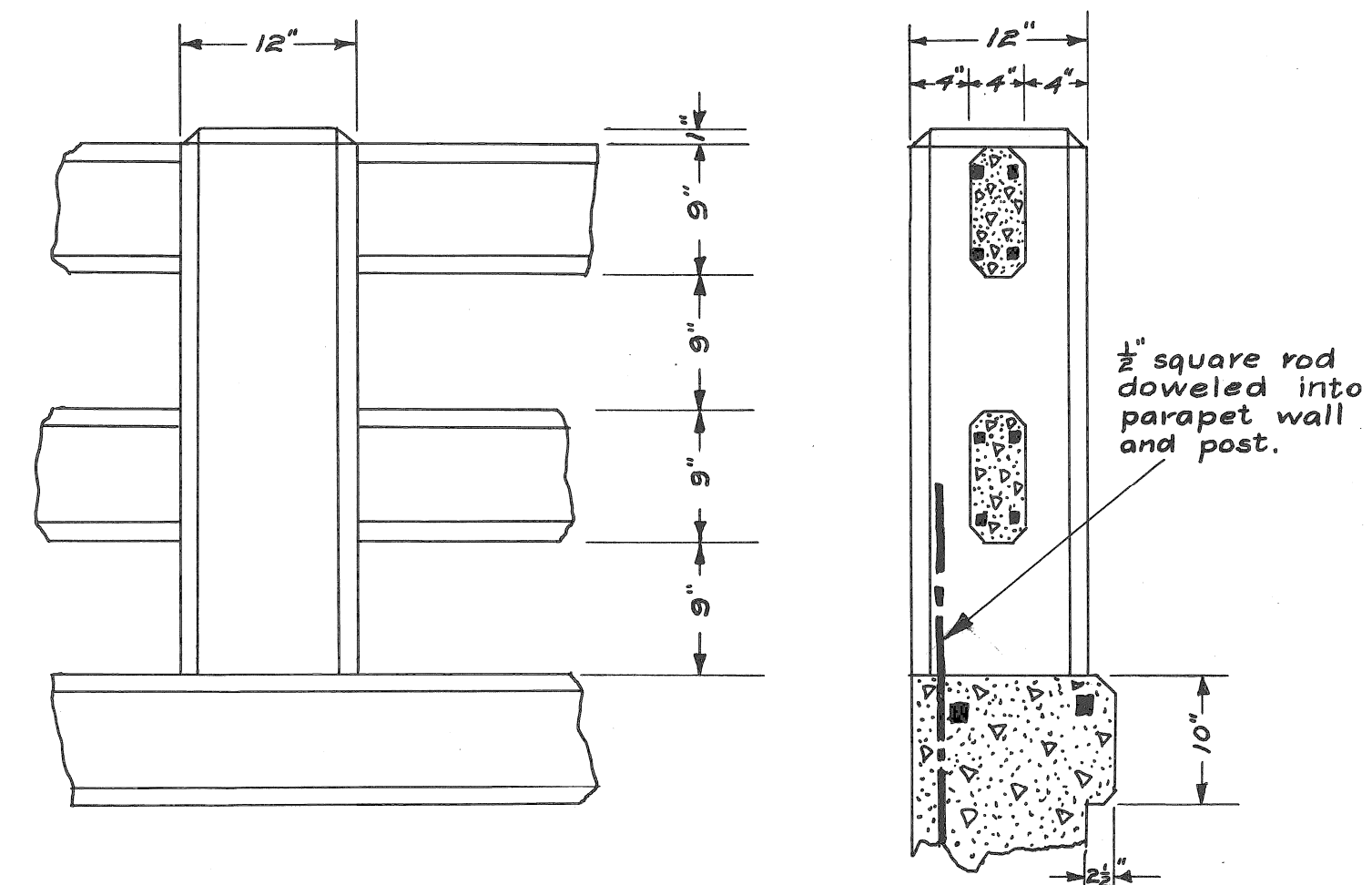
Scale: 3"=1" Computed: *...* Drawn: M. & S. Checked: *...* Traced: A. & L. C.

A-13 II-4
File BW 245-8



HALF-PLAN OF EXTRADOS REINFORCEMENT.

Scale 3' = 1"



DETAIL OF HAND RAIL

Scale 1" = 1'

APPROVED: *Thomas H. Stubbell* City Engineer.
 APPROVED: *J. H. [Signature]* Ass't Engineer.

ASHLAND AVE. BRIDGE
 OVER FOX CREEK
 SOUTH OF EAST JEFFERSON
 CONCRETE ARCH

CITY OF DETROIT
 CITY ENGINEER'S OFFICE
 AUGUST 21, 1917

CITY ENGINEER'S OFFICE
 GRADE SEPARATION & BRIDGES
 Case A Drawer 13 No. I-2e

Scale: As Shown Computed: *[Signature]* Drawn: M. & Z. Checked: *[Signature]* Traced: *[Signature]*