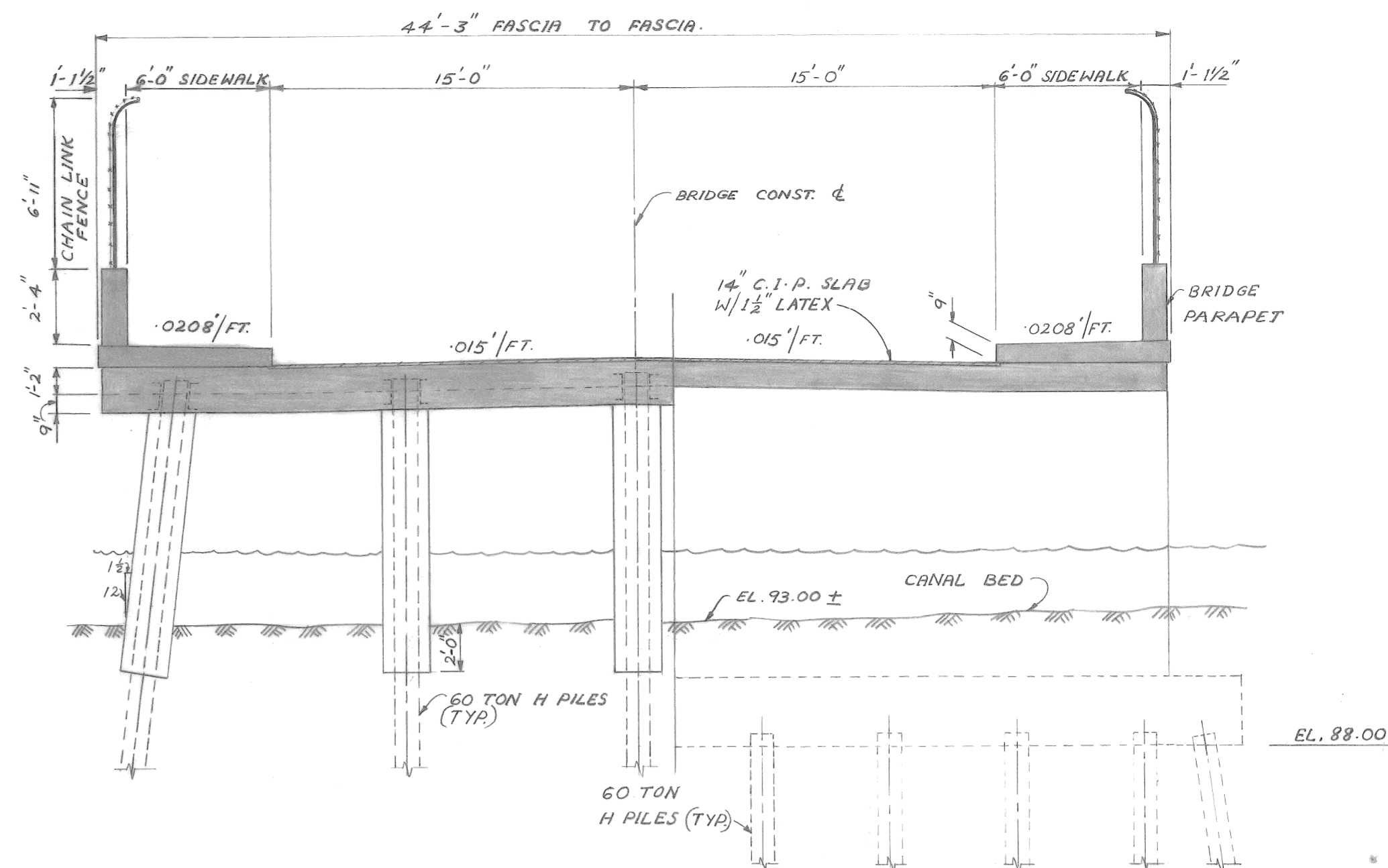
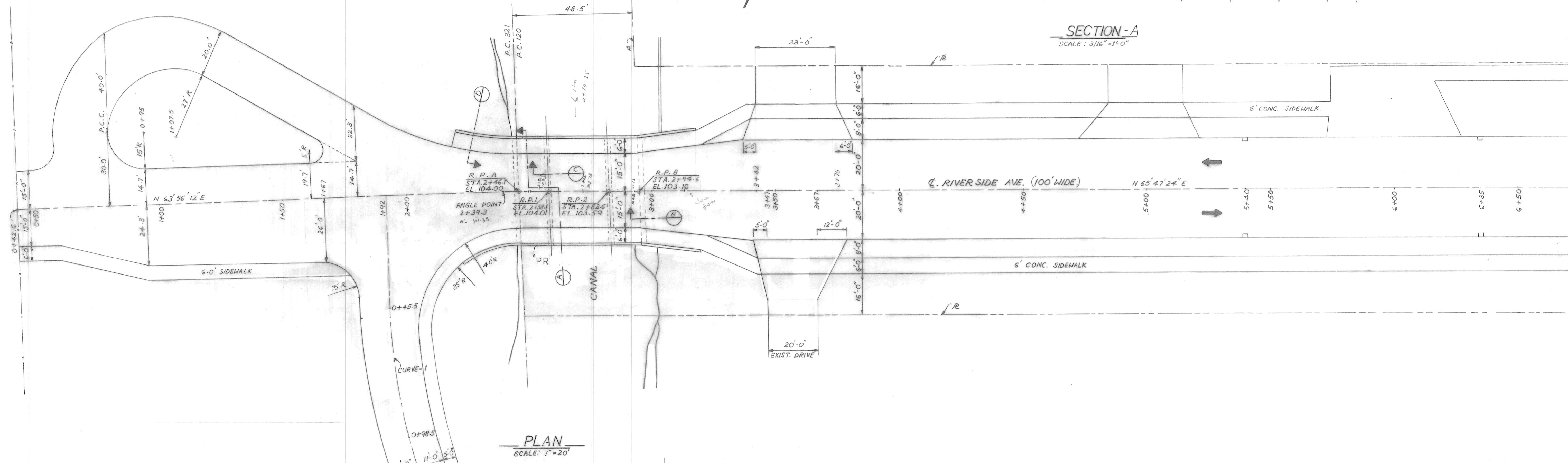


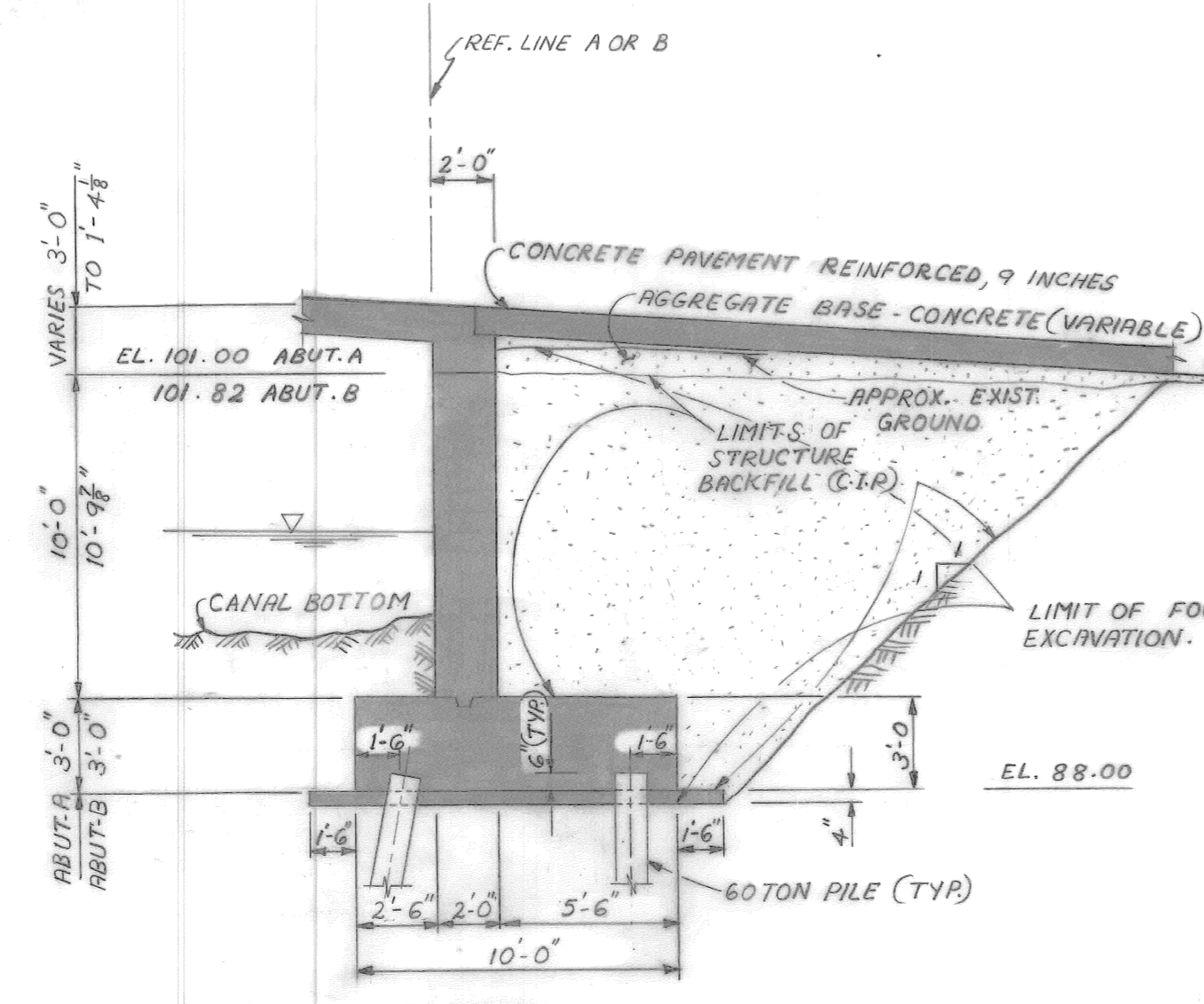
ELEVATION
SCALE: HORIZ. 1"=20'
VERT. 1"=10'



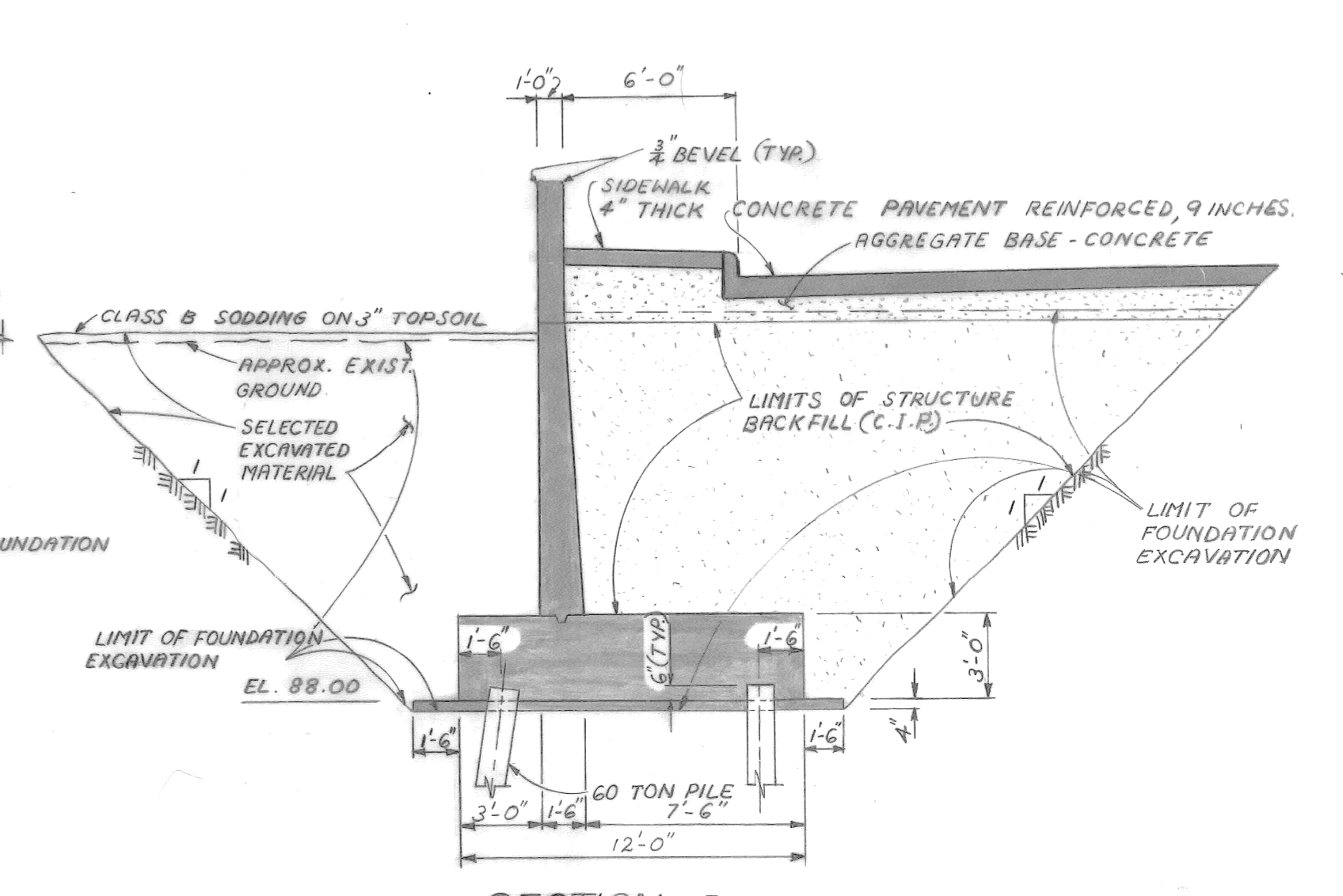
SECTION-A
SCALE: 3/16"=1'-0"



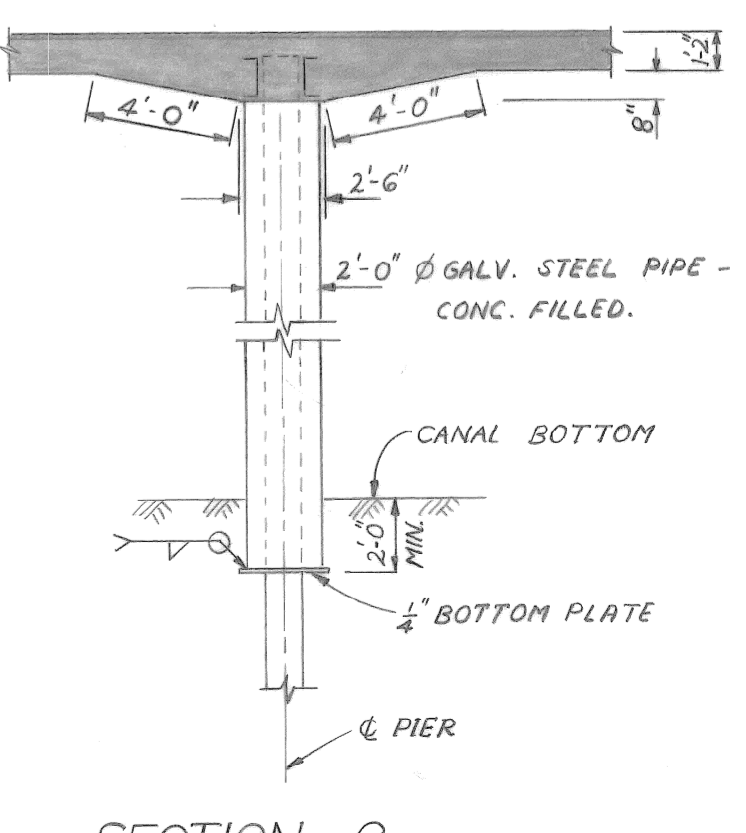
PLAN
SCALE: 1"=20'



SECTION-B
SCALE: 3/16"=1'-0"



SECTION-D
SCALE: 3/16"=1'-0"



SECTION-C
SCALE: 3/16"=1'-0"

dr	n	ct'd	ap	vd	date

revisions
designed by
drawn by
checked by
approved:

CITY OF DETROIT
city engineering department
for
D P W

BRIDGE RECONSTRUCTION.

RIVERSIDE AVENUE OVER CANAL BW - 242

GENERAL PLAN OF STRUCTURE AND DETAILS

a.o.
contract no.
sheet of drawing no.
date