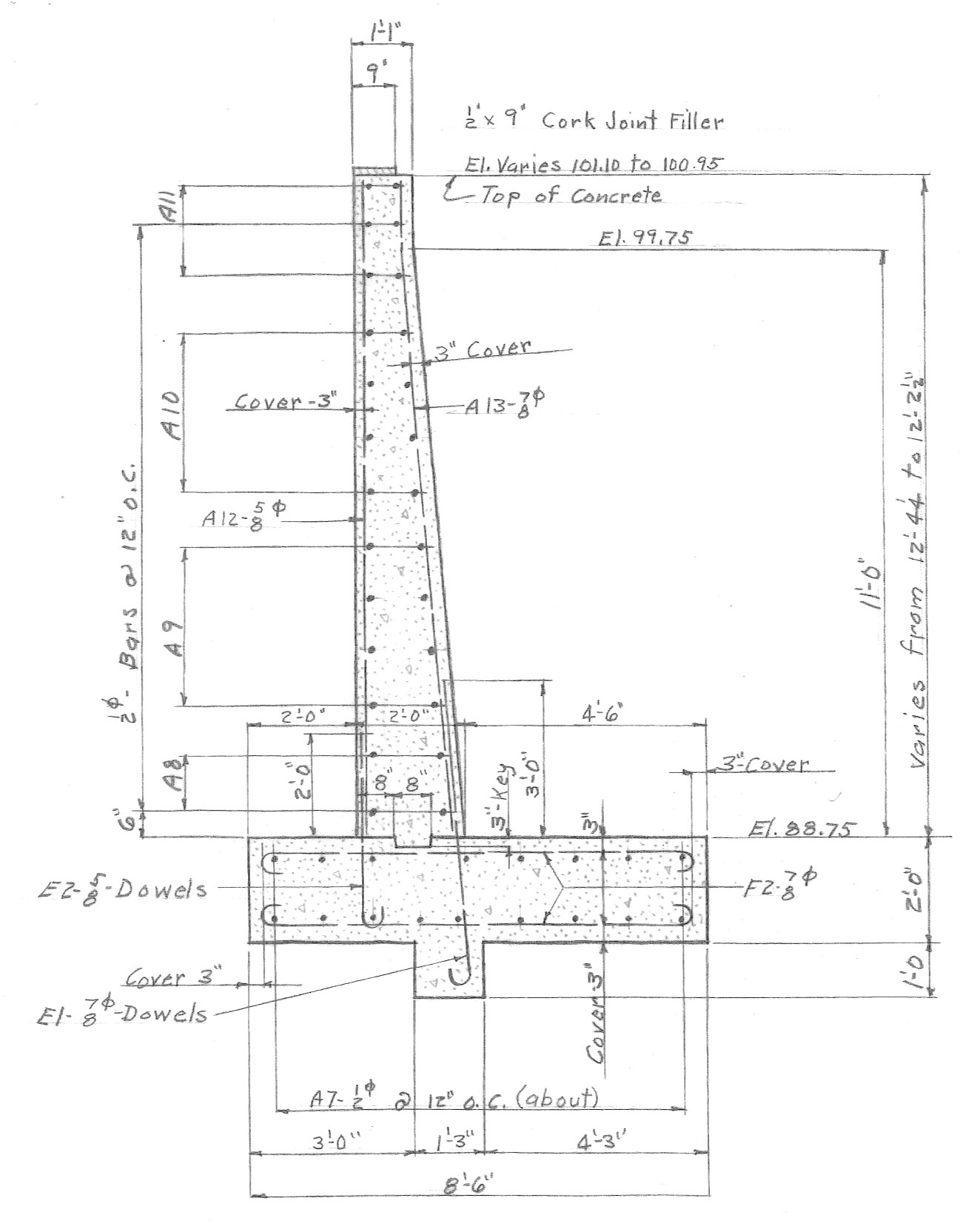
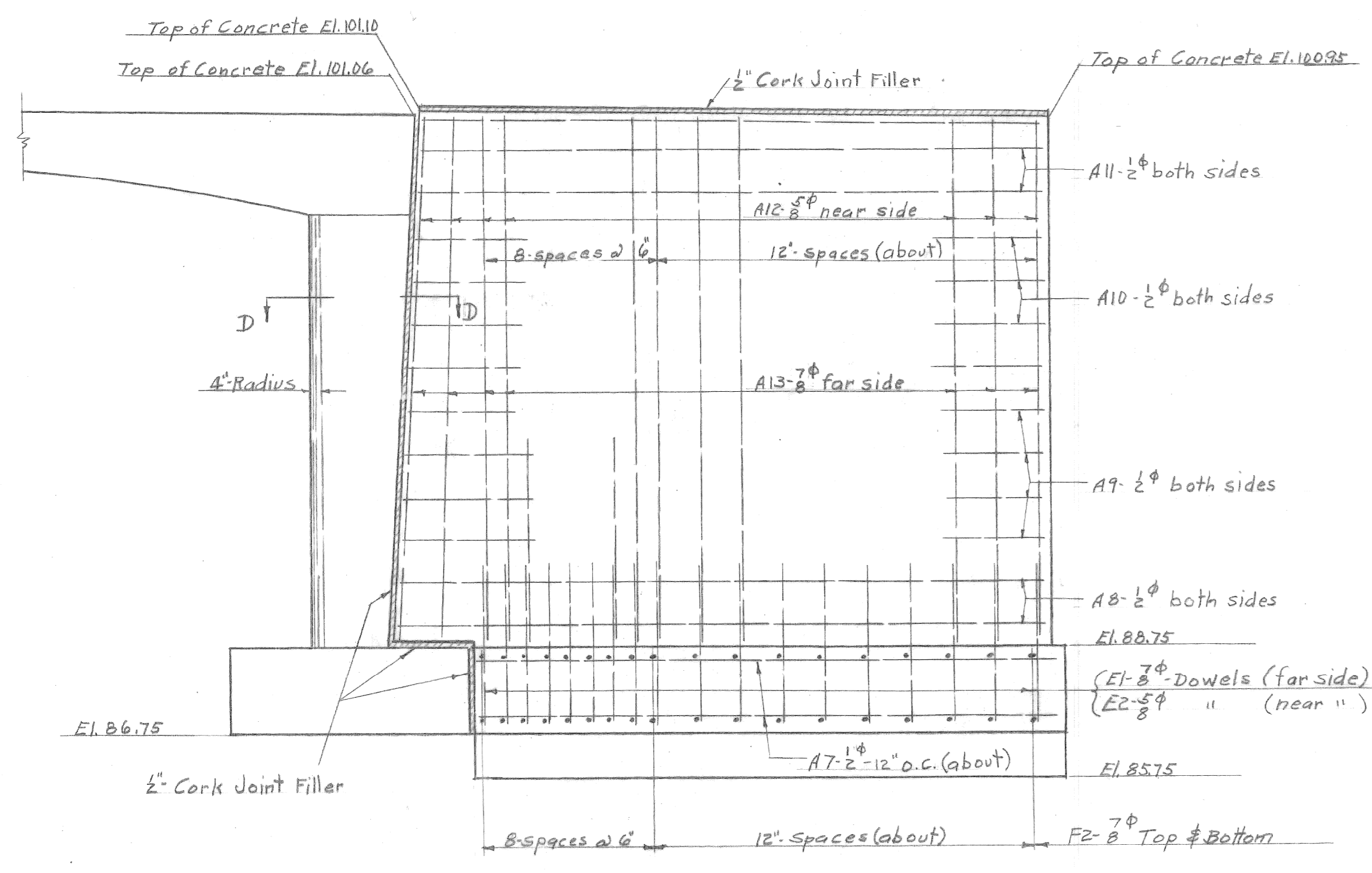


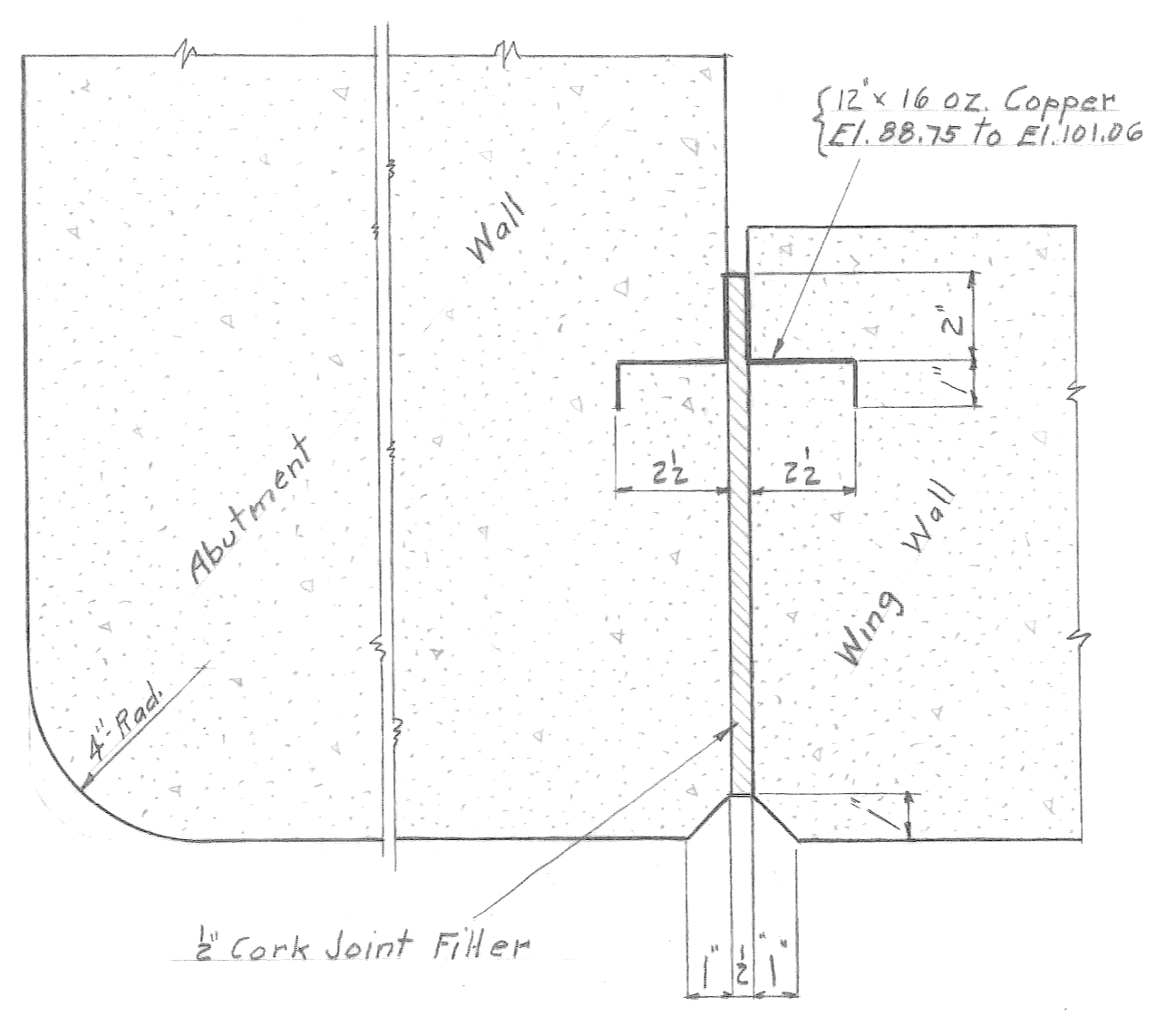
Quarter Plan of Foundation



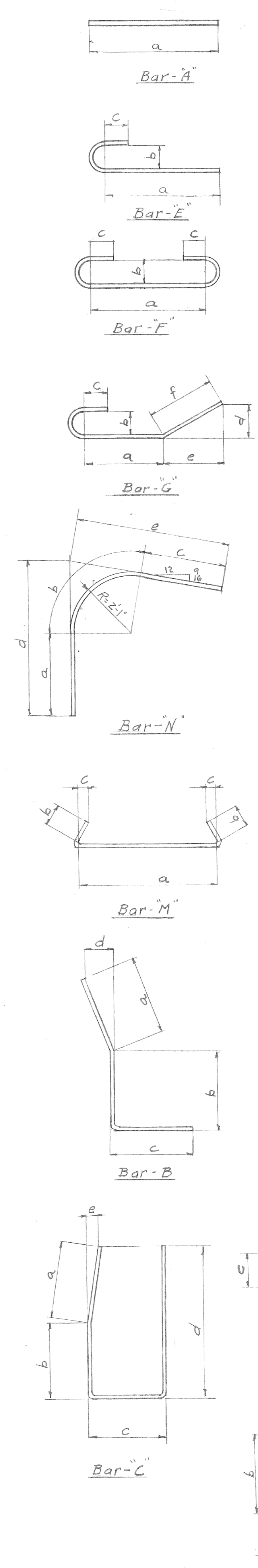
Section C-C



Front Elevation of Wing Wall



Section D-D scale 3/8" = 1'-0"



Mark	Size	No.	a	b	c	d	e	f	Length	
A1	5/8 φ	80	5'-0"							Abutment Footing
F1	5/8 φ	80	4'-7"	4"	3"					" "
G1	7/8 φ	152	2'-0"	5 1/2"	3 1/2"	1'-0 1/2"	1'-9 1/2"	2'-1"		" "
N1	7/8 φ	76	9'-10"	3'-5"	10'-9"	11'-11"	12'-10"		24'-8"	Abutment Wall
N2	7/8 φ	74	5'-3"	3'-5"	5'-3"	7'-4"	7'-4"		14'-0"	" "
A2	5/8 φ	76	12'-0"						12'-0"	" "
M1	5/8 φ	28	1'-1 1/4"	4"	2"				1'-10"	" "
M2	5/8 φ	56	1'-3"	4"	2"				1'-11"	Abutment Wall & Deck
M3	5/8 φ	28	1'-4 1/2"	4"	2"				2'-0 1/2"	Abutment Wall
M4	5/8 φ	28	1'-6"	4"	2"				2'-2"	" "
M5	5/8 φ	28	1'-7 1/2"	4"	2"				2'-3 1/2"	" "
M6	5/8 φ	28	1'-11 1/4"	4"	2"				2'-7"	Deck
M7	5/8 φ	28	1'-8"	4"	2"				2'-4"	" "
M8	5/8 φ	28	1'-5 1/2"	4"	2"				2'-1 1/2"	" "
M9	5/8 φ	28	1'-11 1/4"	4"	2"				1'-9"	" "
M10	5/8 φ	28	11 1/2"	4"	2"				1'-7 1/2"	" "
M11	5/8 φ	28	10 1/2"	4"	2"				1'-6 1/2"	" "
M12	5/8 φ	28	9 1/4"	4"	2"				1'-6"	" "
M13	5/8 φ	28	9 1/4"	4"	2"				1'-5"	" "
A3	5/8 φ	114	28'-0"						28'-0"	" "
A4	7/8 φ	37	24'-0"						24'-0"	" "
A5	7/8 φ	38	26'-0"						26'-0"	" "
A6	5/8 φ	20	28'-9"						28'-9"	Abutment Footing
E1	7/8 φ	72	5'-5 1/2"	5 1/2"	4"				6'-7"	Wing Wall Footing
E2	5/8 φ	72	3'-6 1/2"	4"	4 1/2"				4'-6"	" "
F2	7/8 φ	144	7'-5"	5 1/2"	4 1/2"				9'-9"	" "
A7	1/2 φ	68	13'-3"						13'-3"	" "
A8	1/2 φ	16	14'-9"						14'-9"	Wing Wall
A9	1/2 φ	32	14'-6"						14'-6"	" "
A10	1/2 φ	32	14'-3"						14'-3"	" "
A11	1/2 φ	24	14'-0"						14'-0"	" "
A12	5/8 φ	80	11'-9"						11'-9"	" "
A13	7/8 φ	80	11'-9"						11'-9"	" "
B1	5/8 φ	78	1'-10 1/2"	1'-9"	1'-10 1/2"	2"			5'-6"	Railing
C1	5/8 φ	60	1'-10 1/2"	7 1/2"	7"	2'-6"	2"		5'-7"	" "
D1	5/8 φ	78	2'-1"	2'-6"					4'-7"	" "
K1	5/8 φ	8	2'-0"	10"	3"	4 1/2"	2"		3'-1"	" "
D2	5/8 φ	78	1'-1"	1'-6"					2'-7"	Curb
H1	5/8 φ	40	2'-0"	2'-0"	4 1/2"				4'-0"	Railing
F3	3/4 φ	102	2'-7 1/2"	3"	3"				4'-1"	" "
A14	7/8 φ	48	35'-0"						35'-0"	" "
A15	1/2 φ	8	35'-0"						35'-0"	" "
A16	5/8 φ	4	38'-0"						38'-0"	Curb
A17	5/8 φ	76	18'-6"						18'-6"	Deck

For office use only

<table border="1"> <tr><td>G</td><td></td></tr> <tr><td>F</td><td></td></tr> <tr><td>E</td><td></td></tr> <tr><td>D</td><td></td></tr> <tr><td>C</td><td></td></tr> <tr><td>B</td><td></td></tr> <tr><td>A</td><td></td></tr> </table>	G		F		E		D		C		B		A		REFERENCE DRAWINGS DESIGNED BY <i>RH Spack</i> DRAWN BY <i>RH Spack</i> TRACED BY <i>RH Spack</i> CHECKED BY	APPROVED: SR ASSOC. STRUCT. ENGINEER ENGINEER OF DESIGN ASST. CITY ENGINEER	CITY OF DETROIT DEPARTMENT OF PUBLIC WORKS CITY ENGINEERS OFFICE BUREAU OF DESIGN	BELLE ISLE BRIDGES BRIDGE NO. 11 WING WALL DETAILS	SHEET 2 OF 3 SHEETS JOB NO. DRWG NO. S-2 DATE
	G																		
	F																		
	E																		
D																			
C																			
B																			
A																			
NOTED BY DESCRIPTION REVISIONS	DRN CKD APVD DATE	ASST. CITY ENGINEER	BOOK NO. 1629 PAGE 11-14 SCALE 3/8" = 1'-0"	Draw # 4	AP69														